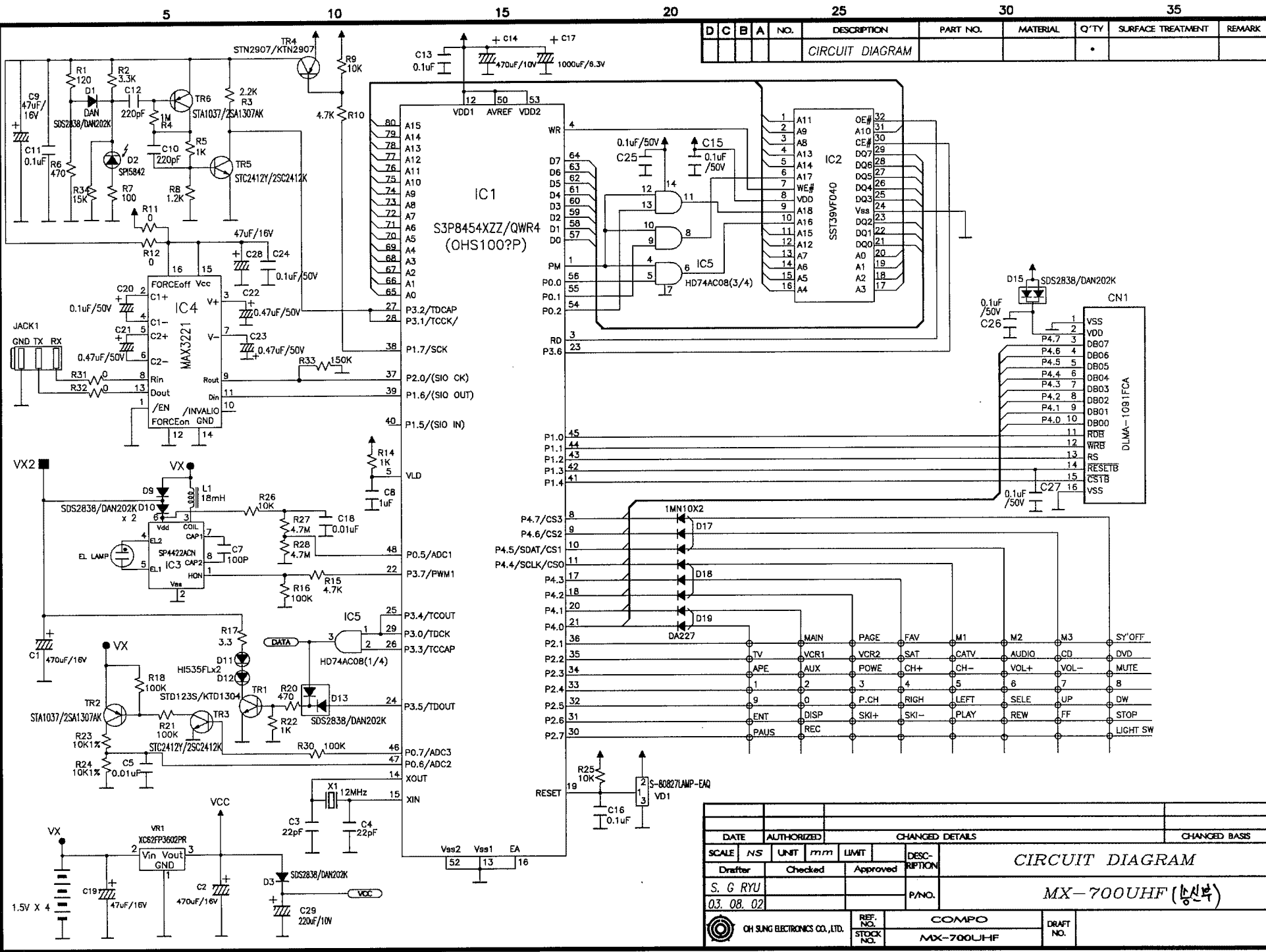


6/8



D	C	B	A	NO.	DESCRIPTION	PART NO.	MATERIAL	Q'TY	SURFACE TREATMENT	REMARK
					CIRCUIT DIAGRAM					

DATE	AUTHORIZED	CHANGED DETAILS	CHANGED BASIS
SCALE	NS	UNIT	mm
LIMIT		DESCRPTION	
Drafter	Checked	Approved	
S. G RYU			P.N.O.
03. 08. 02			MX-700UHF (정신복)
OH SUNG ELECTRONICS CO., LTD.	REF. NO.	COMPO	DRAFT NO.
	STOCK NO.	MX-700UHF	