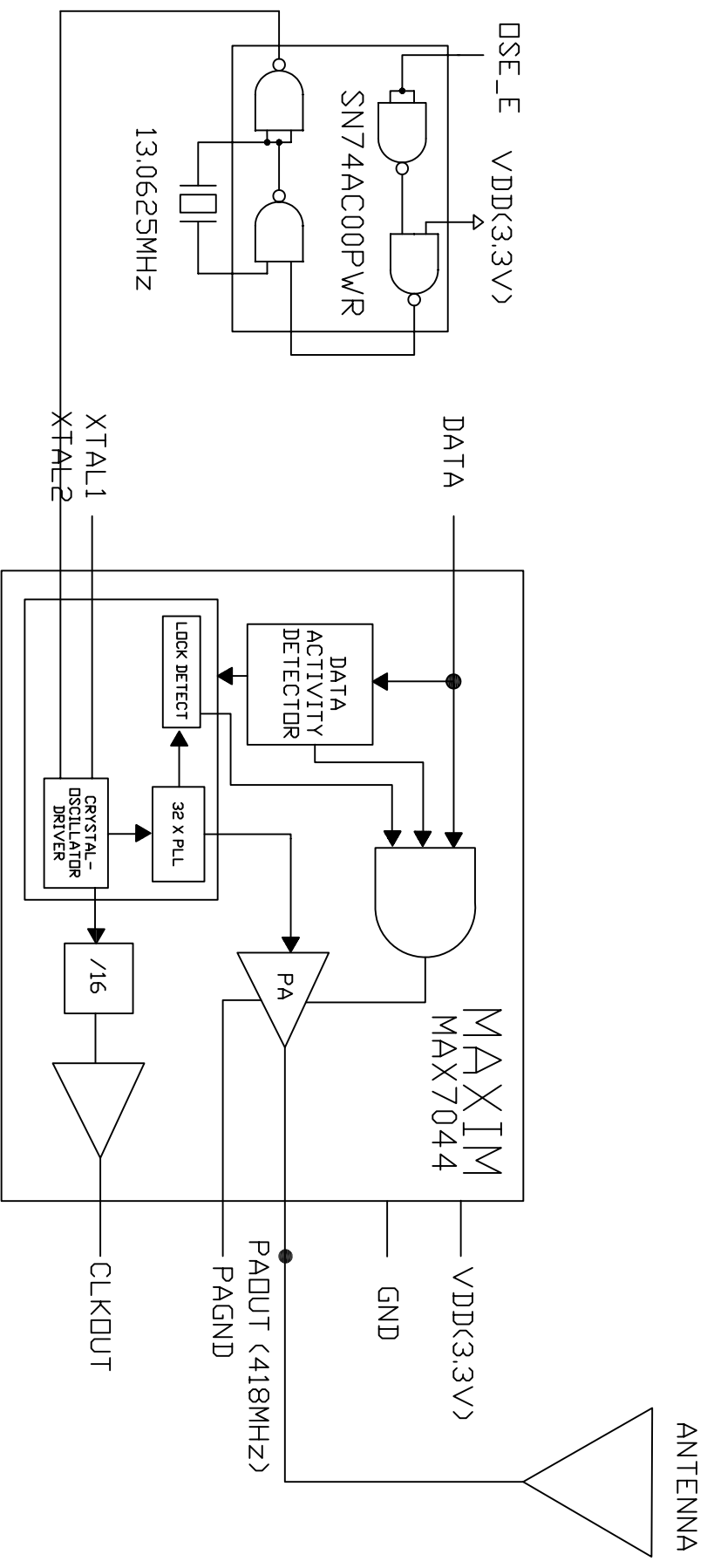


APPENDIX D
: BLOCK DIAGRAM

D	C	B	A	NO.	DESCRIPTION	PART NO.	MATERIAL	Q'TY	SURFACE TREATMENT	REMARK
					BLOCK DIAGRAM	MX-650				



DATE				AUTHORIZED				CHANGED DETAILS				CHANGED BASIS			
SCALE	NS	UNT	MM	UNT	MM	UNT	MM	DES- RTRN	DES- RTRN	P/NO.	REF. NO.	STOCK NO.	DRAFT NO.	REF. NO.	STOCK NO.
Drifter				Checked											
BLOCK DIAGRAM (RF MODULE)															
φTMF-A416 TYPE															
MX-650															



OH SANG ELECTRONICS CO., LTD.