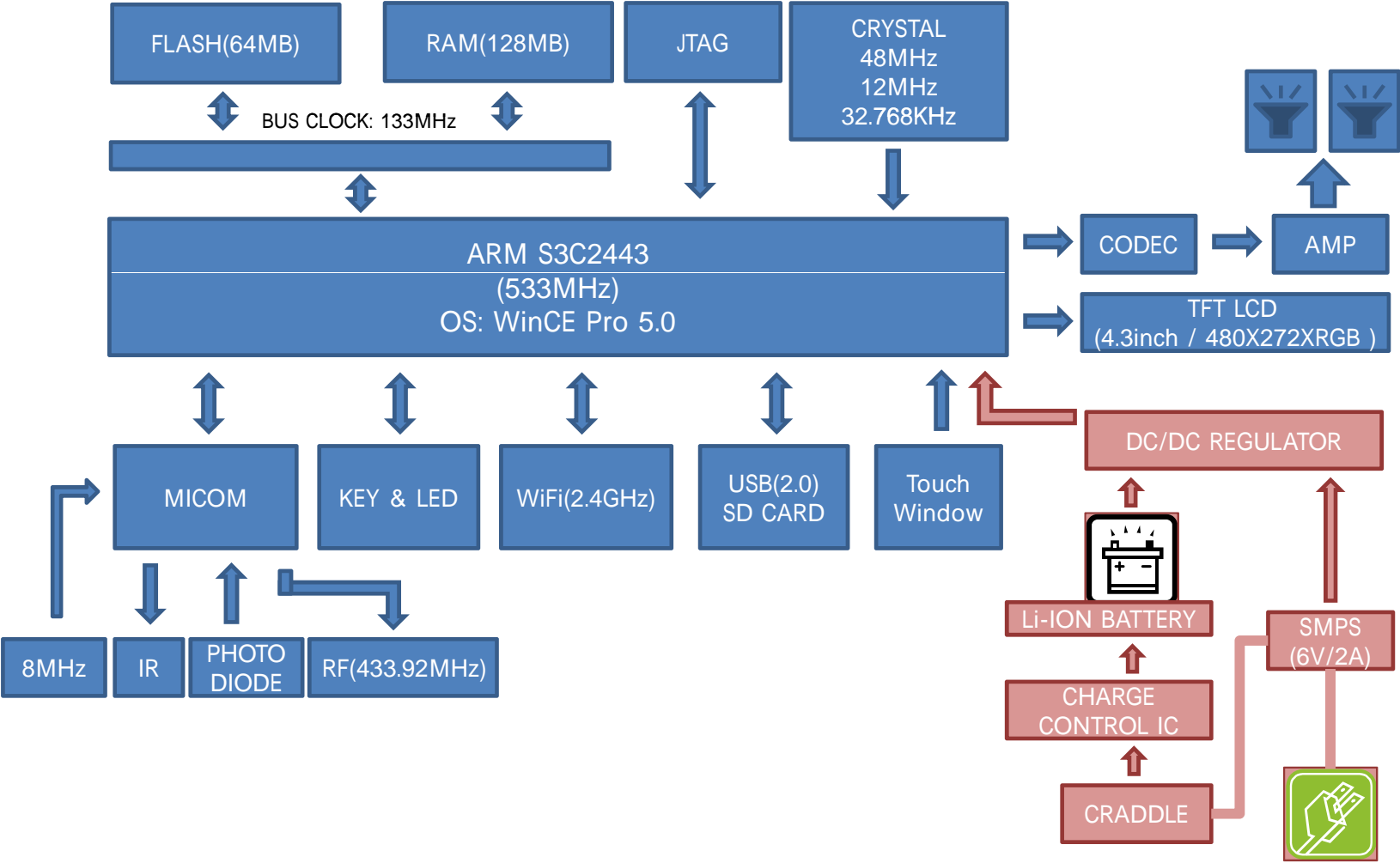
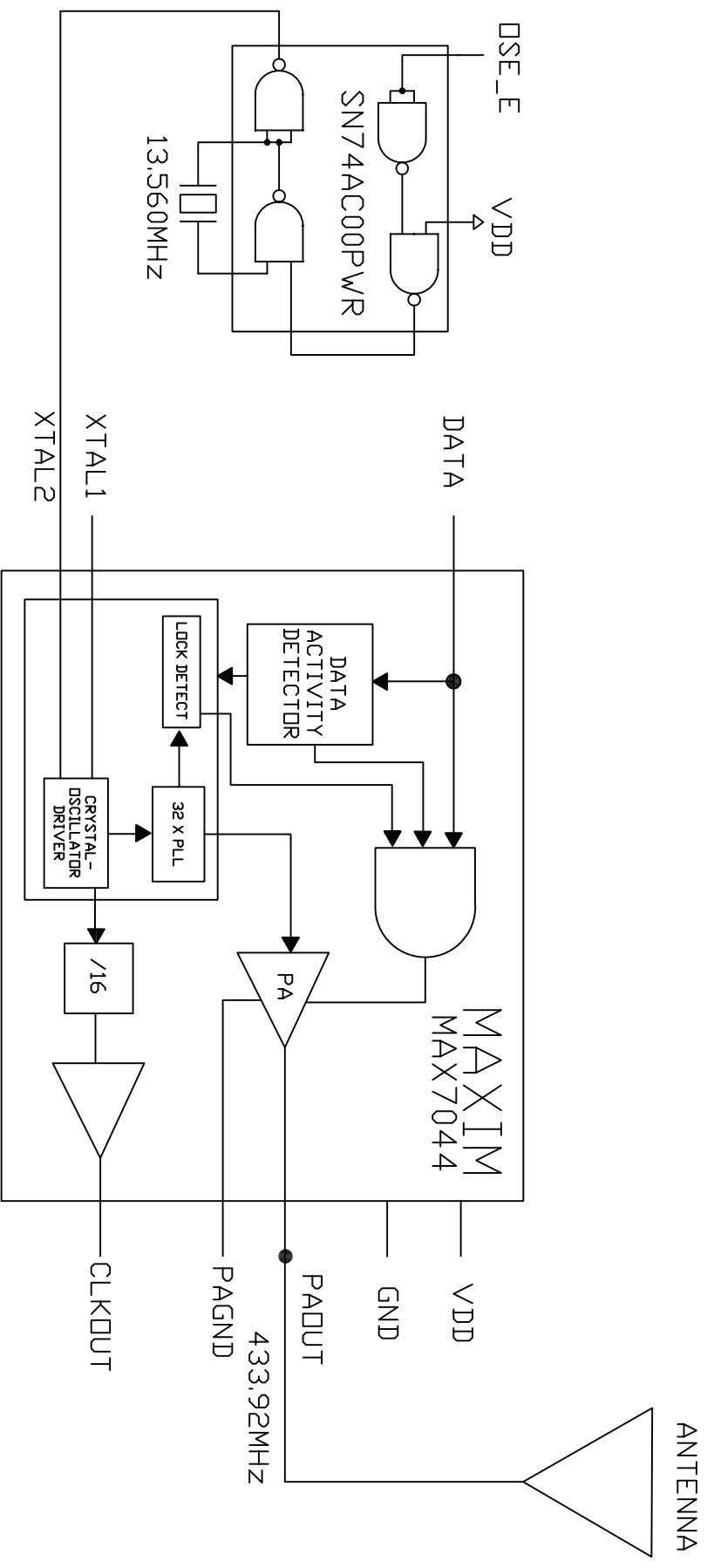


APPENDIX D  
: BLOCK DIAGRAM

# MX-6000i H/W Block Diagram

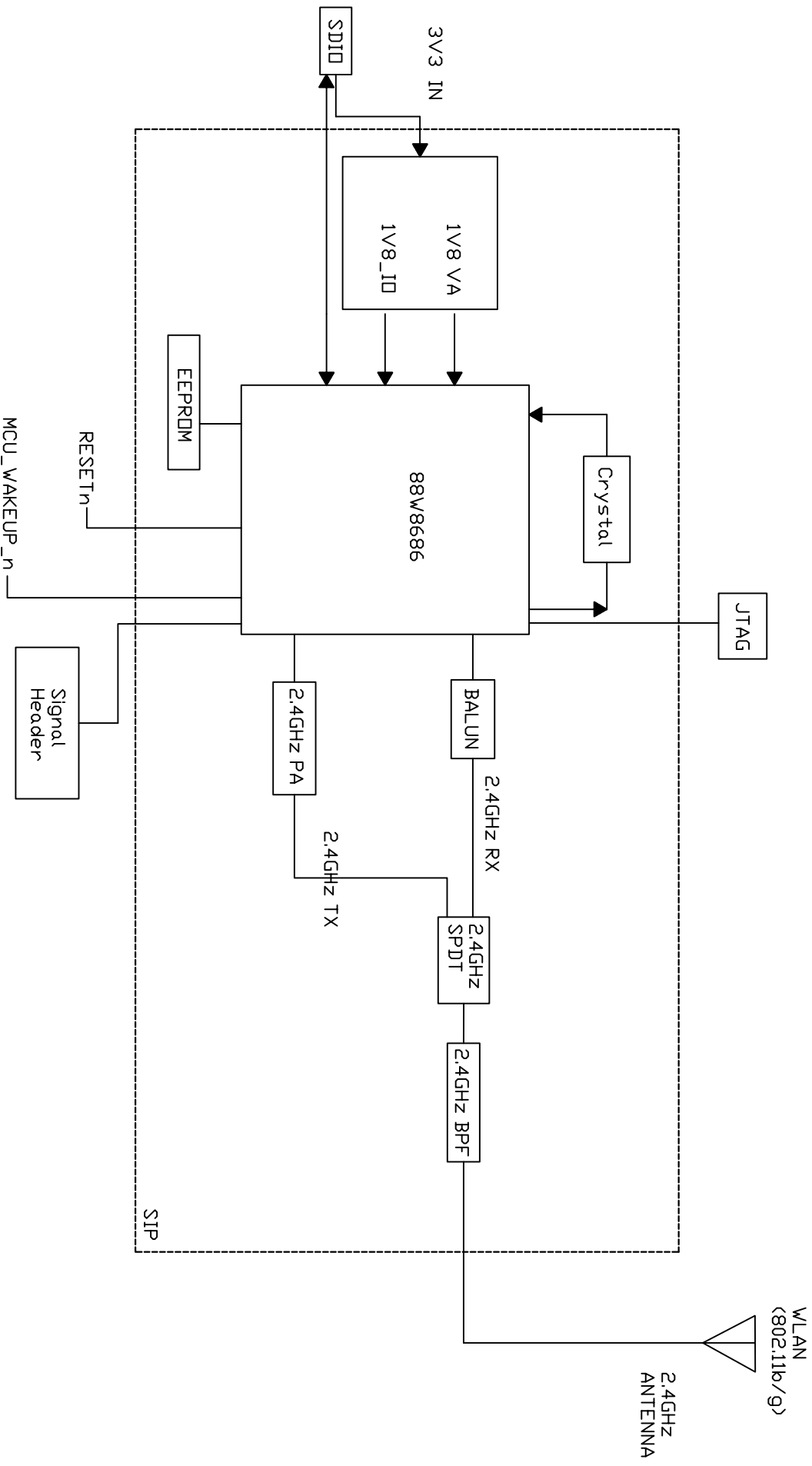


D	C	B	A	NO.	DESCRIPTION	PART NO.	MATERIAL	Q'TY	SURFACE TREATMENT	REMARK
					BLOCK DIAGRAM	MX-6000i				



DATE				AUTHORIZED				CHANGED DETAILS				CHANGED BASIS							
SCALE	NS	UNT	MM	UNT	MM	UNT	MM	DATE	NS	UNT	MM	UNT	MM	DATE	NS	UNT	MM	UNT	MM
1:1				Checked															
Drafter												Approved				P/NO.			
BLOCK DIAGRAM (RF MODULE)												ØTMM-A718TYPE							
OH SANG BEHNOONS CO.,LTD.												REF. NO. STOCK NO.				DRAFT NO. MX-6000i			

DCBA	NO.	DESCRIPTION	PART NO.	MATERIAL	Q'TY	SURFACE TREATMENT	REMARK
		BLOCK DIAGRAM	MX-6000i				



DATE				AUTHORIZED				CHANGED DETAILS				CHANGED BASIS			
SCALE	NS	UNIT	MM	UNIT	MM	UNIT	MM	DESC. REVISION	DATE	BY	REASON	DATE	BY	REASON	
Drifter		Checked			Approved			BLOCK DIAGRAM (RF Transceiver MODULE)							
								$\phi$ TMF-A718 TYPE							

OH SANG ELECTRONICS CO., LTD.  
 REF. NO. STOCK NO. DRAFT NO. MX-6000i