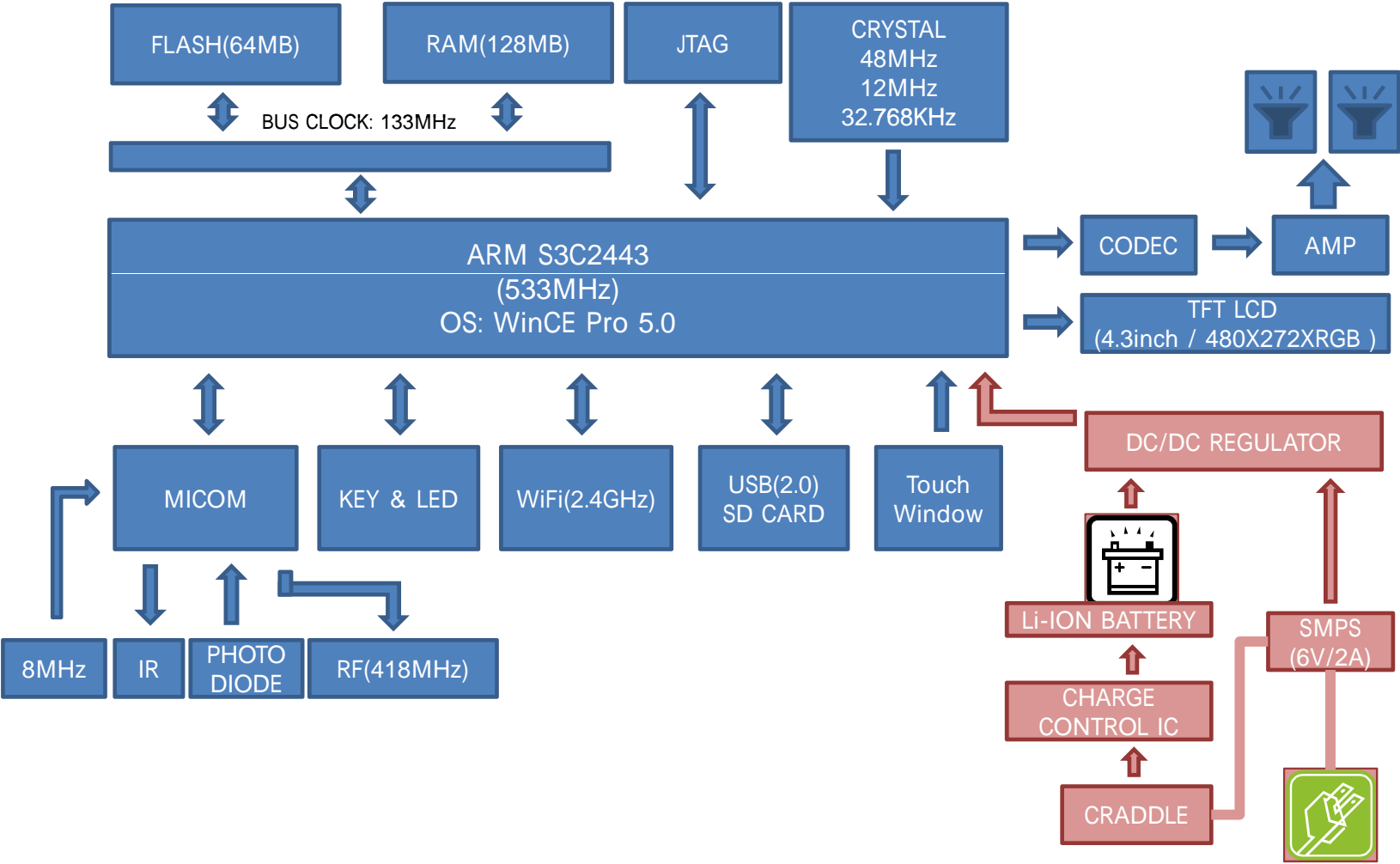
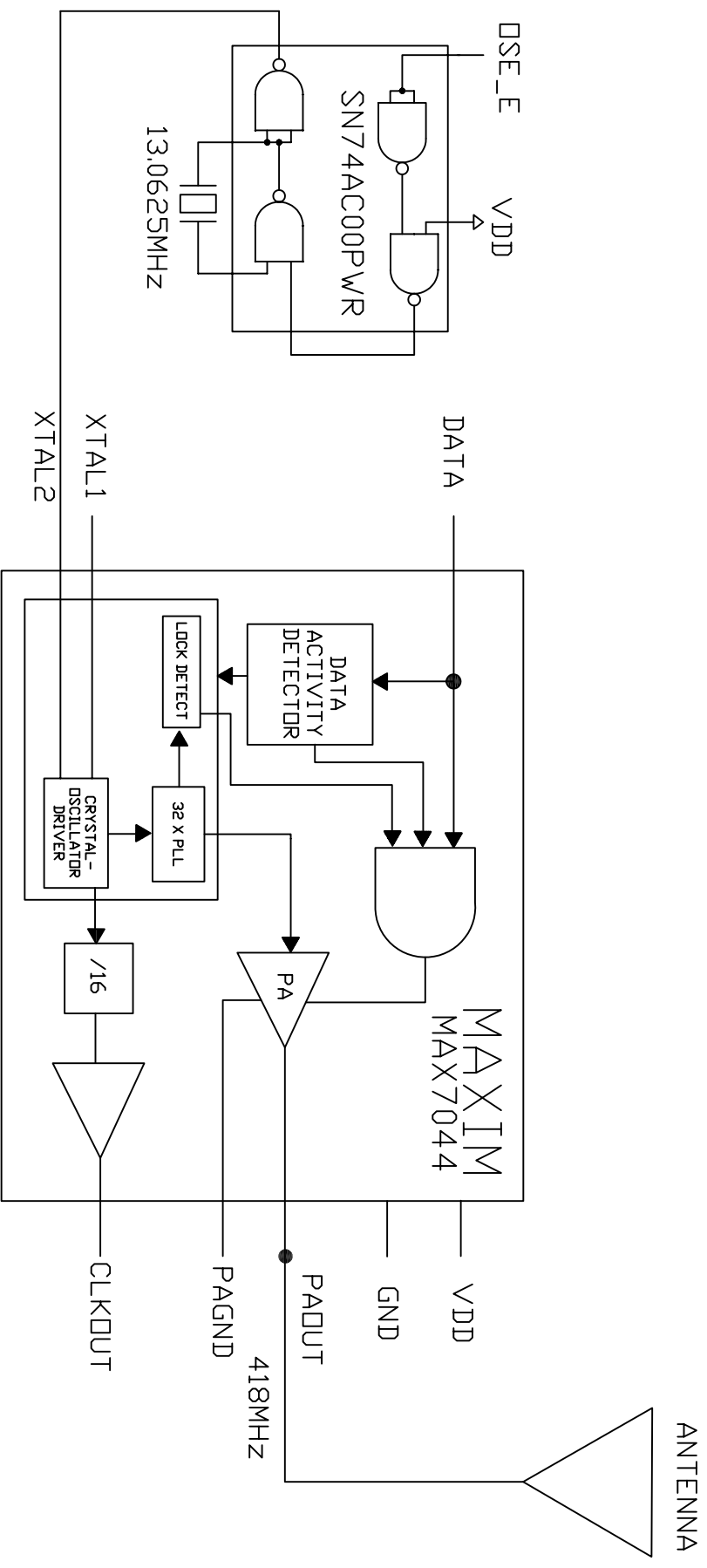


APPENDIX D
: BLOCK DIAGRAM

MX-6000 H/W Block Diagram



D	C	B	A	NO.	DESCRIPTION	PART NO.	MATERIAL	Q'TY	SURFACE TREATMENT	REMARK
					BLOCK DIAGRAM	MX-6000				



DATE				AUTHORIZED				CHANGED DETAILS				CHANGED BASIS					
SCALE	NS	UNT	MM	UNT	MM	UNT	MM	DATE	NS	UNT	MM	UNT	MM	DATE	NS	UNT	MM
Drifter				Checked													
								DESIGN				BLOCK DIAGRAM (RF MODULE)					
								P/NO.				ØTMM-A718TYPE					
								REF. NO.				DRAFT NO.					
								STOCK NO.				MX-6000					
OH SANG ELECTRONICS CO., LTD.																	

5
10
15
20
25

