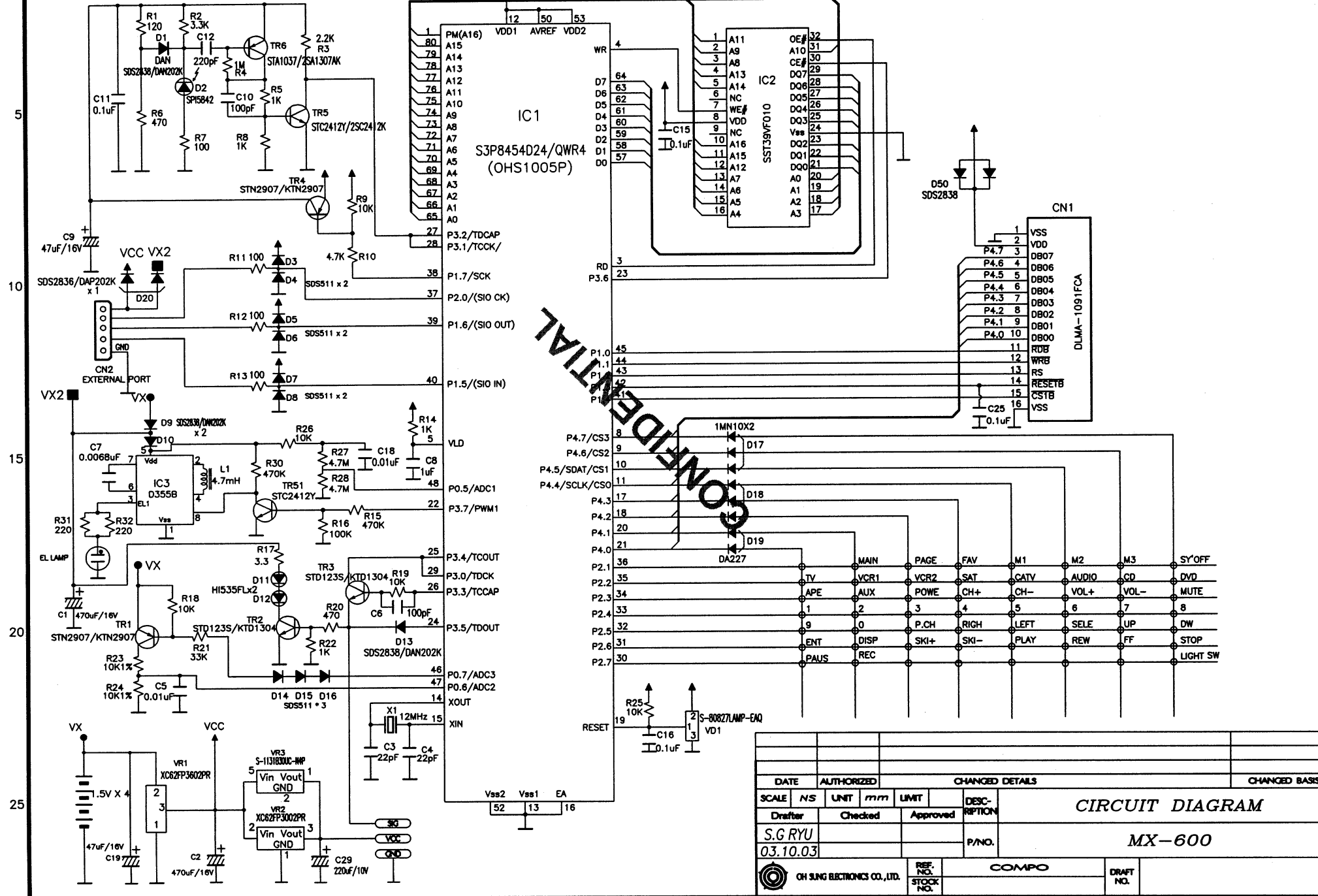


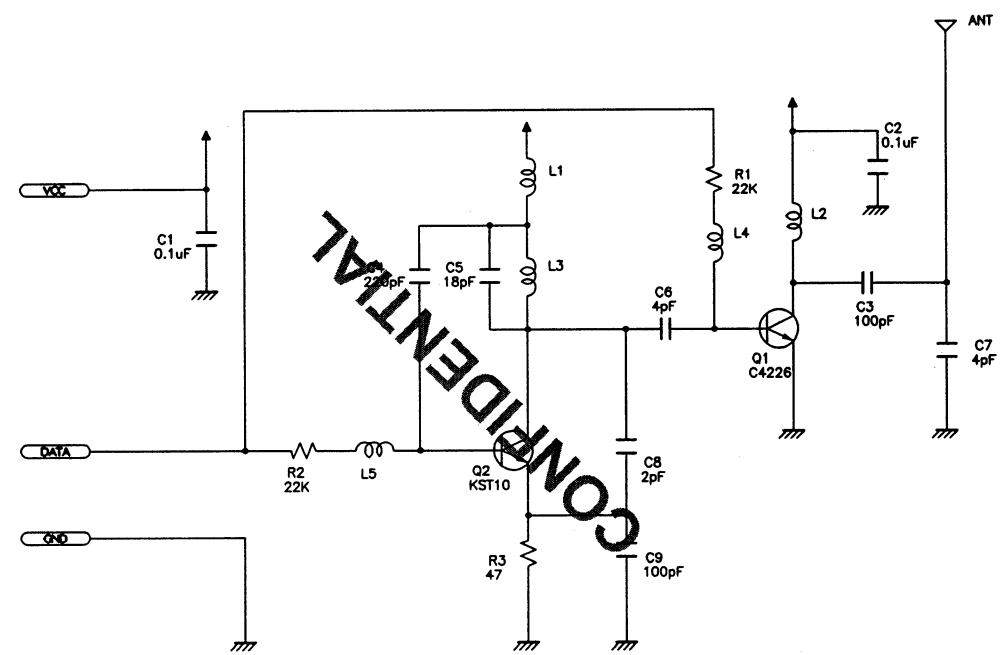
D	C	B	A	NO.	DESCRIPTION	PART NO.	MATERIAL	Q'TY	SURFACE TREATMENT	REMARK
					CIRCUIT DIAGRAM					



CONFIDENTIAL

DATE	AUTHORIZED	CHANGED DETAILS	CHANGED BASIS
SCALE	NS	UNIT	m/m
UNIT	LIMIT	DESCRIPTION	
Drafter	Checked	Approved	
S.G.RYU			
03.10.03		P/NO.	MX-600
OH SUNG ELECTRONICS CO., LTD.	REF. NO.	COMPO	DRAFT NO.
	STOCK NO.		

D	C	B	A	NO.	DESCRIPTION	PART NO.	MATERIAL	Q'TY	SURFACE TREATMENT	REMA
					CIRCUIT DIAGRAM			.		.



CONFIDENTIAL

DATE		AUTHORIZED		CHANGED DETAILS			CHANGED BASIS		
SCALE	UNIT	mm	LIMIT	± 0.1	DESCRPTION	CIRCUIT DIAGRAM			
Drafter	Checked	Approved			MODEL NAME				
S. G RYU					MX-600 RF MODULE				
02. 21. 02									
OH SUNG ELECTRONICS CO., LTD.			REF. NO.	COMPO		P/NO.			
			STOCK NO.						