



APPENDIX K
: ANTENNA SPECIFICATION

Technical Data Sheet

Bluetooth 802.11b Antenna

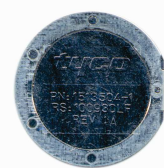
Tyco Electronics P/N: 1513504-1

Electrical/Mechanical

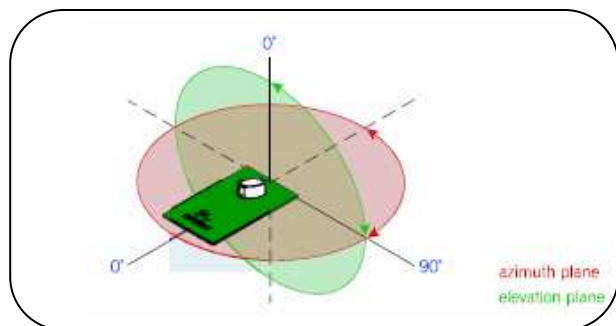
Frequency Range	2400–2500 MHz
Peak Gain ⁽¹⁾	> 4 dBi
VSWR	Less than 2.5:1
Polarization	Linear
Power Handling	10 Watt cw
Feed Point Impedance	50 Ohms unbalanced
Weight	Less than 1 g
Size	16.0 mm x 6.0 mm
Reflow Temperature	275°C maximum

Features

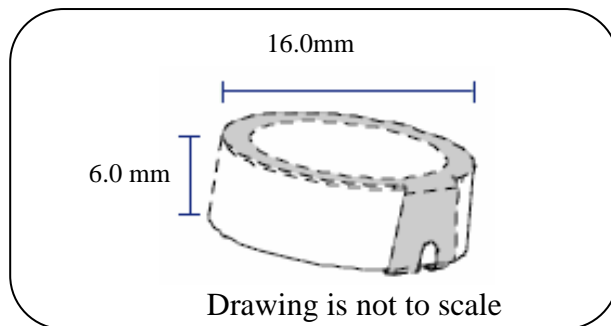
- Wide bandwidth and high gain in a compact size
- Enhanced hemispherical pattern improves RF link reliability of portable devices
- Minimum matching circuits required



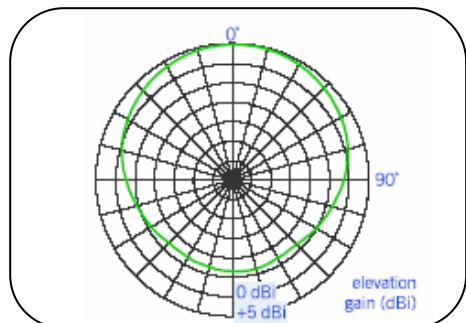
Legend



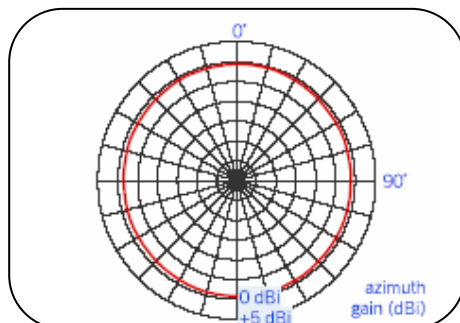
Dimensions



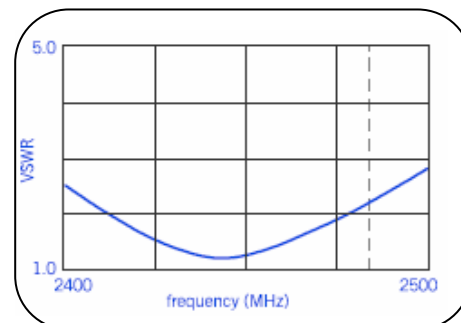
Typical Pattern



Typical Pattern

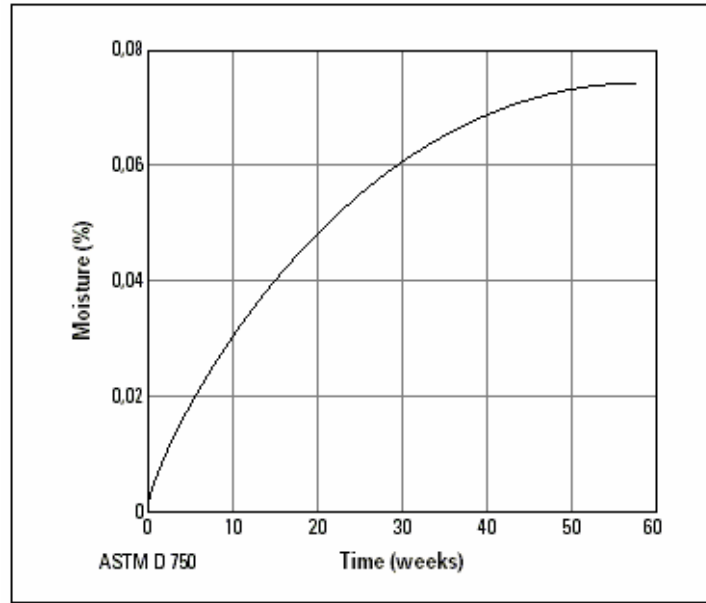


Typical VSWR



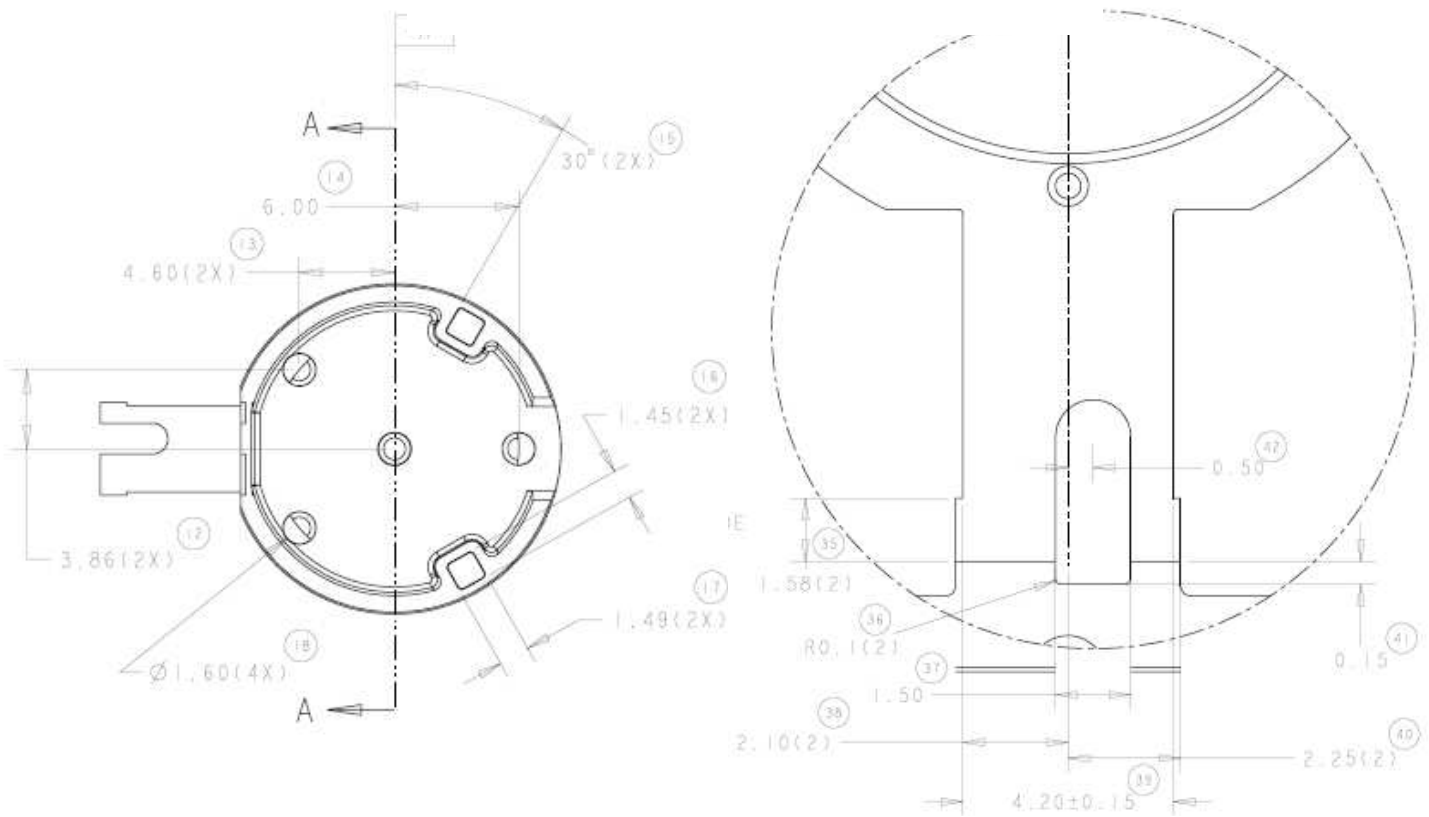
2400 MHz Band

Water Absorption



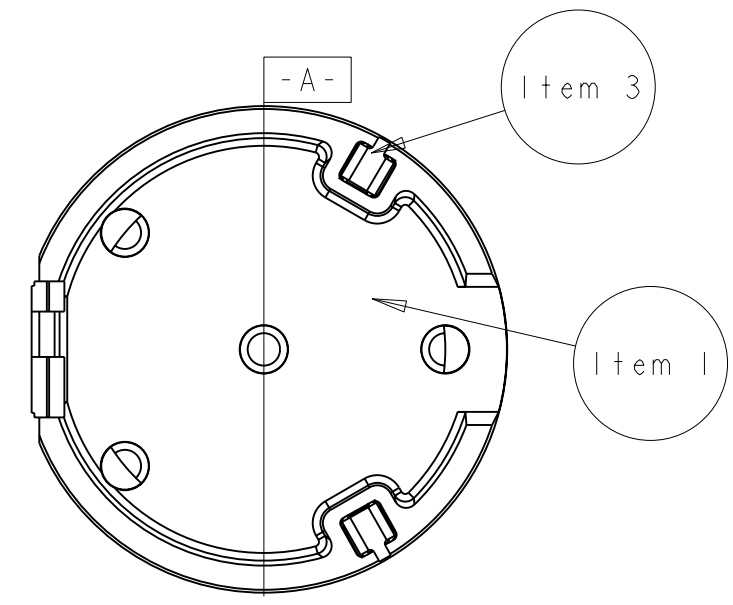
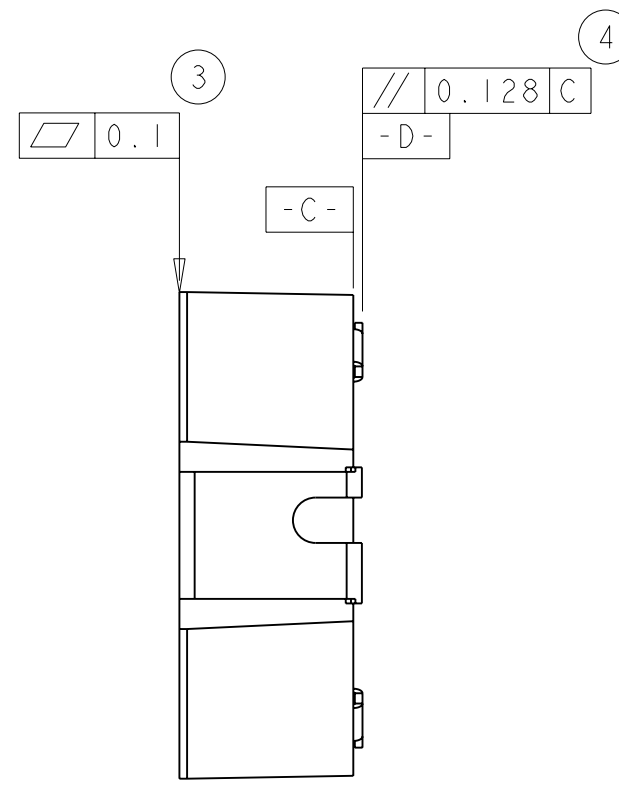
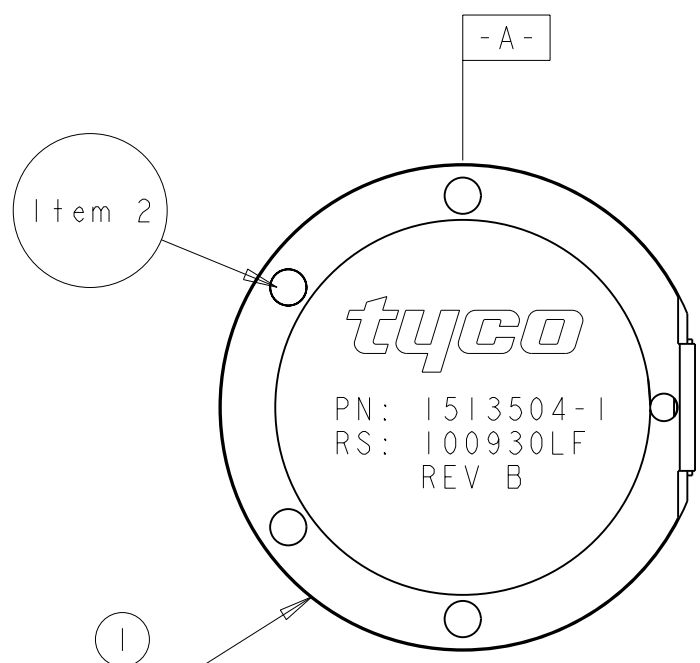
Water absorption of a moulded part in ZENITE® immersed in water at 23C

Pads Layout & Dimensions

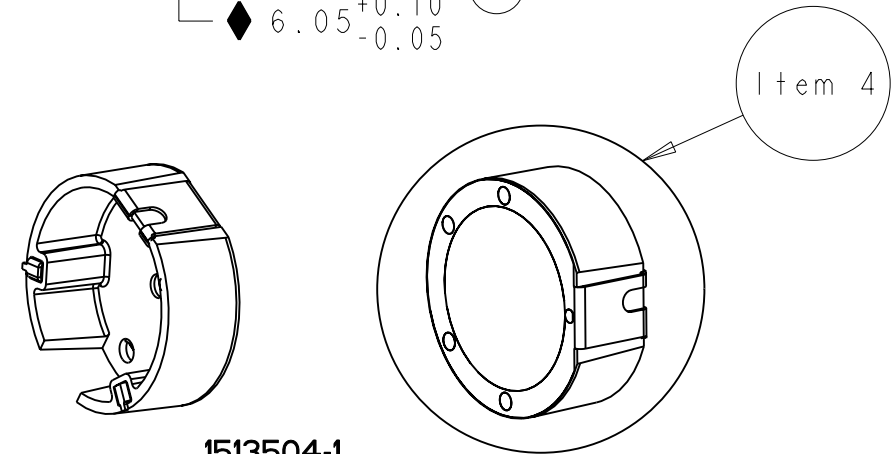
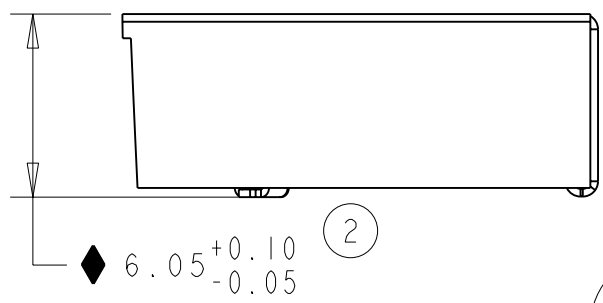


LOC HQ DIST 00

REVISIONS					
P	LTR	DESCRIPTION	DATE	DWN	APVD
1		New part number for lead free	20JAN2005	MAH	MAH
2		Release	25JAN2005	MAH	MAH
A		Tol. updated	04APR2005	DJL	MAH
B		Release status revised	13FEB2006	DJL	MAH



◆ $\varnothing 16.00 \pm 0.1$



1513504-1
SCALE 2:1

NOTES:

- Material - LCP DuPont Zenite 5130L, 30% glass filled, black color
- Item 2 insert molded into Item 1. Flat side wall of Item 2 to be flush with flat side wall in Item 1.
- Item 3 press fit into Item 4.
- No air gaps between components
- General tolerance block applies unless otherwise specified.
- Parts are compliant to RoHS standards per Tyco standard 230-702.

◆ ONGOING STATISTICAL PROCESS CONTROL REQUIRED (TOTAL 2 PCS.)

ITEM NO.	QTY.	PART NO.	DESCRIPTION
1	1	1513504-2	OVERMOLDED METAL RING
2	1	1513151-3	METAL RING
3	2	1513167-1	ANCHOR TAB
4	1	1513504-1	ASSEMBLY

THIS DRAWING IS A CONTROLLED DOCUMENT FOR TYCO ELECTRONICS CORPORATION IT IS SUBJECT TO CHANGE AND THE CONTROLLING ENGINEERING ORGANIZATION SHOULD BE CONTACTED FOR THE LATEST REVISION.

DIMENSIONS:		TOLERANCES UNLESS OTHERWISE SPECIFIED:	
mm			
0 PLC	±0.10	0 PLC	±0.10
1 PLC	±0.10	1 PLC	±0.10
2 PLC	±0.05	2 PLC	±0.05
3 PLC	±0.05	3 PLC	±0.05
4 PLC	±0.01	4 PLC	±0.01
ANGLES	±1°	ANGLES	±1°
MATERIAL	-	FINISH	-

DWN	DJL	13FEB2006	tyco Electronics Tyco Electronics Rochester, New York 14623	
CHK	-	-	NAME	
APVD	-	-	Antenna Bluetooth/WLAN Assembly 1513504-1	
PRODUCT SPEC	-	-	SIZE	CAGE CODE
APPLICATION SPEC	-	-	A3	00779
WEIGHT	-	-	DRAWING NO.	RESTRICTED TO
CUSTOMER DRAWING			©-1513504	-
SCALE 4:1			SHEET 1 OF 1	REV B