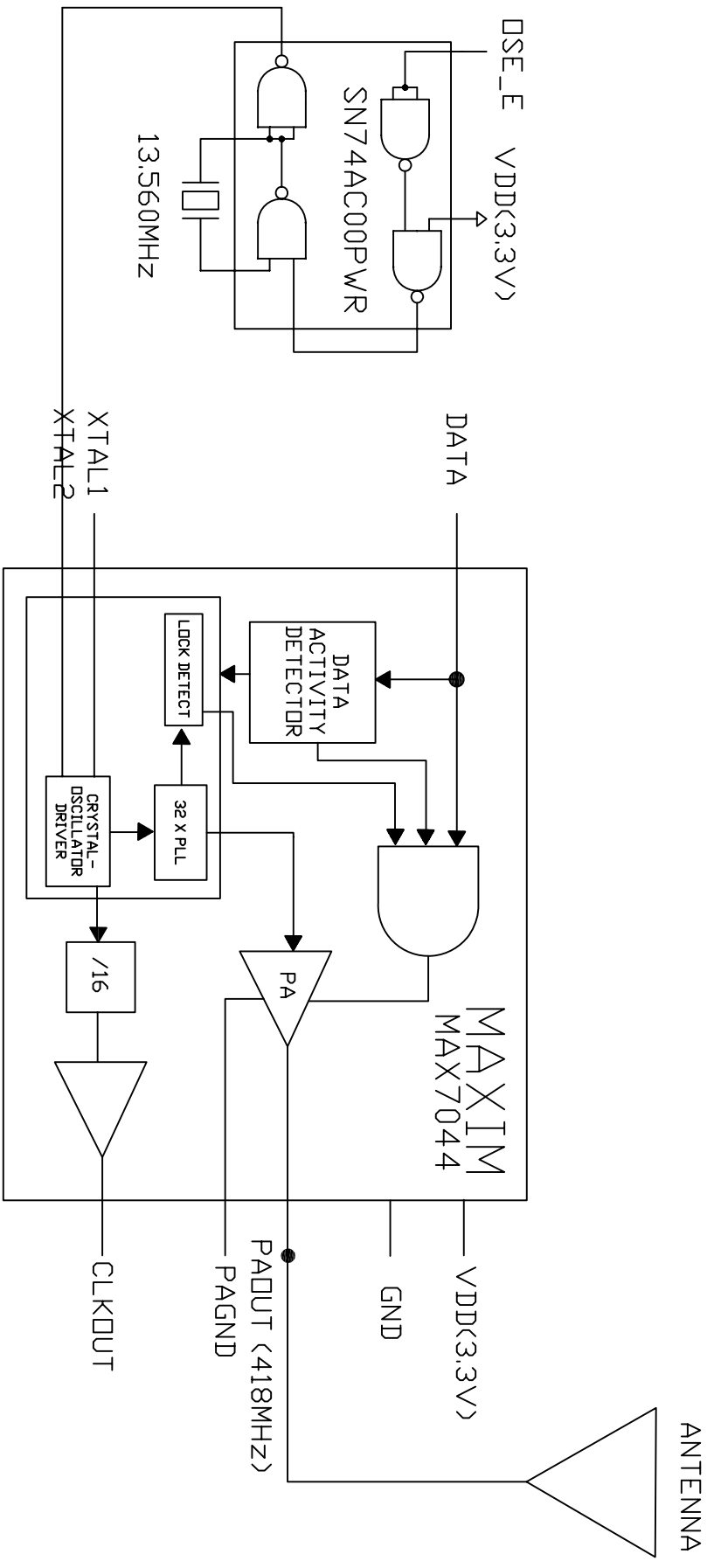


APPENDIX D
: BLOCK DIAGRAM(S)

D	C	B	A	NO.	DESCRIPTION	PART NO.	MATERIAL	Q'TY	SURFACE TREATMENT	REMARK
					BLOCK DIAGRAM	MX-350				



DATE				AUTHORIZED				CHANGED DETAILS				CHANGED BASIS			
SCALE	NS	UNT	M/M	UNT	M/M	UNT	UNT	DESC.	REVISION	P/NO.	REF.	NO.	STOCK	DRAFT	NO.
Drafter				Checked				Approved				BLOCK DIAGRAM (RF MODULE)			
												φTMF-A307 TYPE			
												MX-350			



OH SANG ELECTRONICS CO., LTD.

REF. NO. STOCK NO.

DRAFT NO.

MX-350