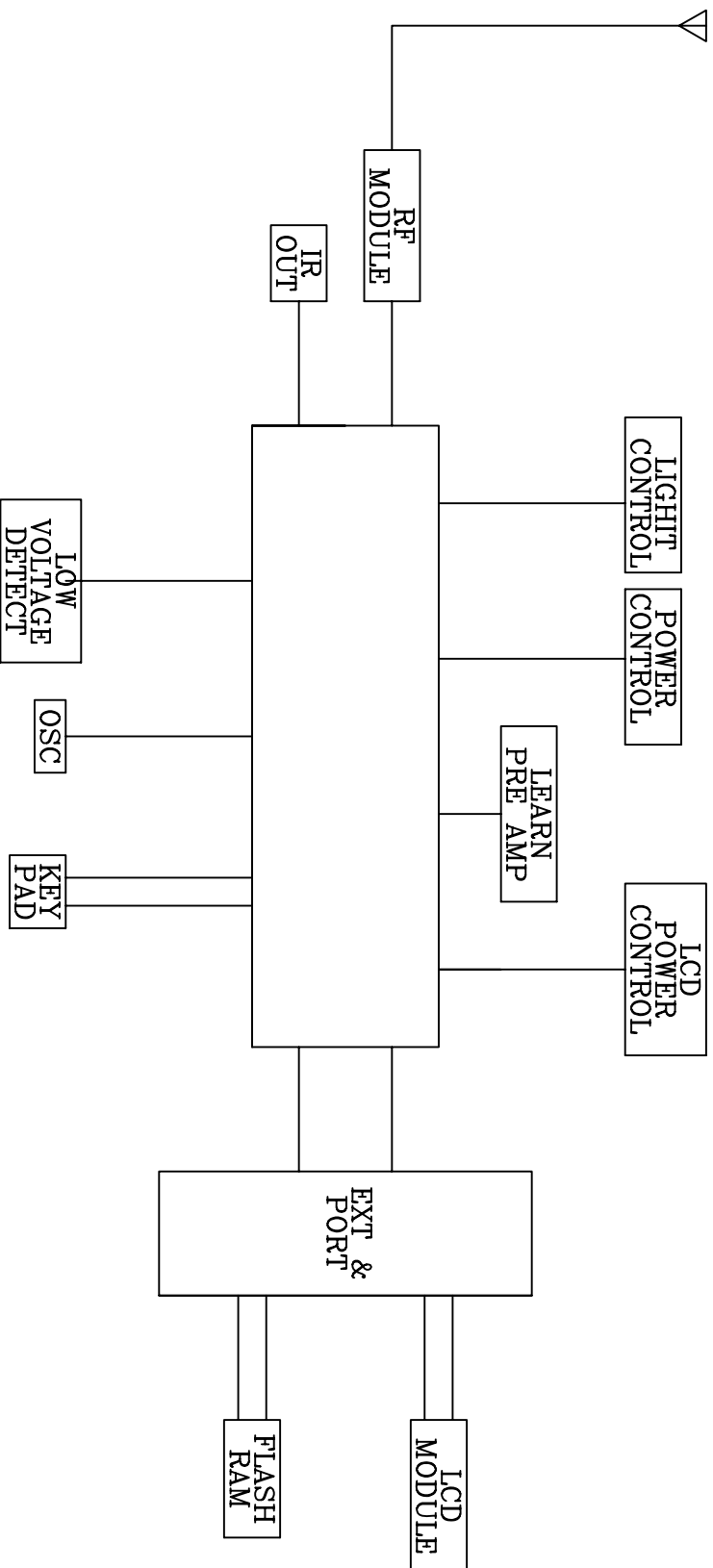


APPENDIX D  
: BLOCK DIAGRAM(S)

D	C	B	A	NO.	DESCRIPTION	PART NO.	MATERIAL	Q'TY	SURFACE TREATMENT	REMARK
					BLOCK DIAGRAM	MX-350				

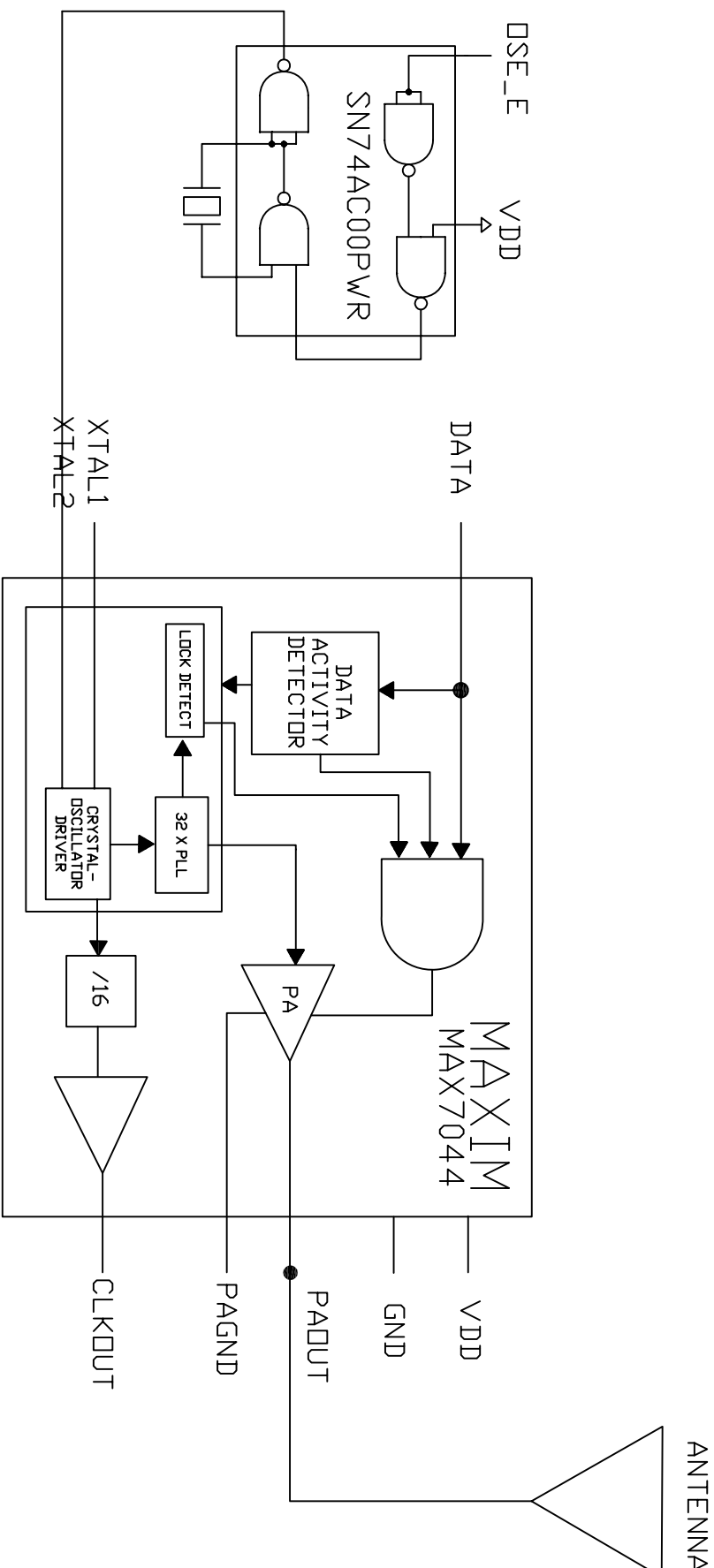


DATE				AUTHORIZED				CHANGED DETAILS				CHANGED BASIS			
SCALE	NS	UNIT	MM	UNIT	MM	UNIT	MM	DESC- RITION	P/NO.	REF. NO.	STOCK NO.	DRAFT NO.	REF. NO.	STOCK NO.	
Drafter		Checked		Approved				BLOCK DIAGRAM (HW BLOCK)							
													φTMT-A307 TYPE		
													MX-350		



OH SANG ELECTRONICS CO., LTD.

D	C	B	A	NO.	DESCRIPTION	PART NO.	MATERIAL	Q'TY	SURFACE TREATMENT	REMARK
					BLOCK DIAGRAM	MX-350				



25

20

15

10

5

DATE				AUTHORIZED				CHANGED DETAILS				CHANGED BASIS					
SCALE	NS	UNT	M/M	UNT	M/M	UNT	DRF	NS	UNT	M/M	UNT	DRF	NS	UNT	M/M	UNT	
Drifter				Checked				Approved									
												BLOCK DIAGRAM (RF MODULE)					
												φTMF-A307 TYPE					
												MX-350					
												P/NO.					
												REF. NO. STOCK NO.					
												DRAFT NO.					
												OH SANG ELECTRONICS CO., LTD.					