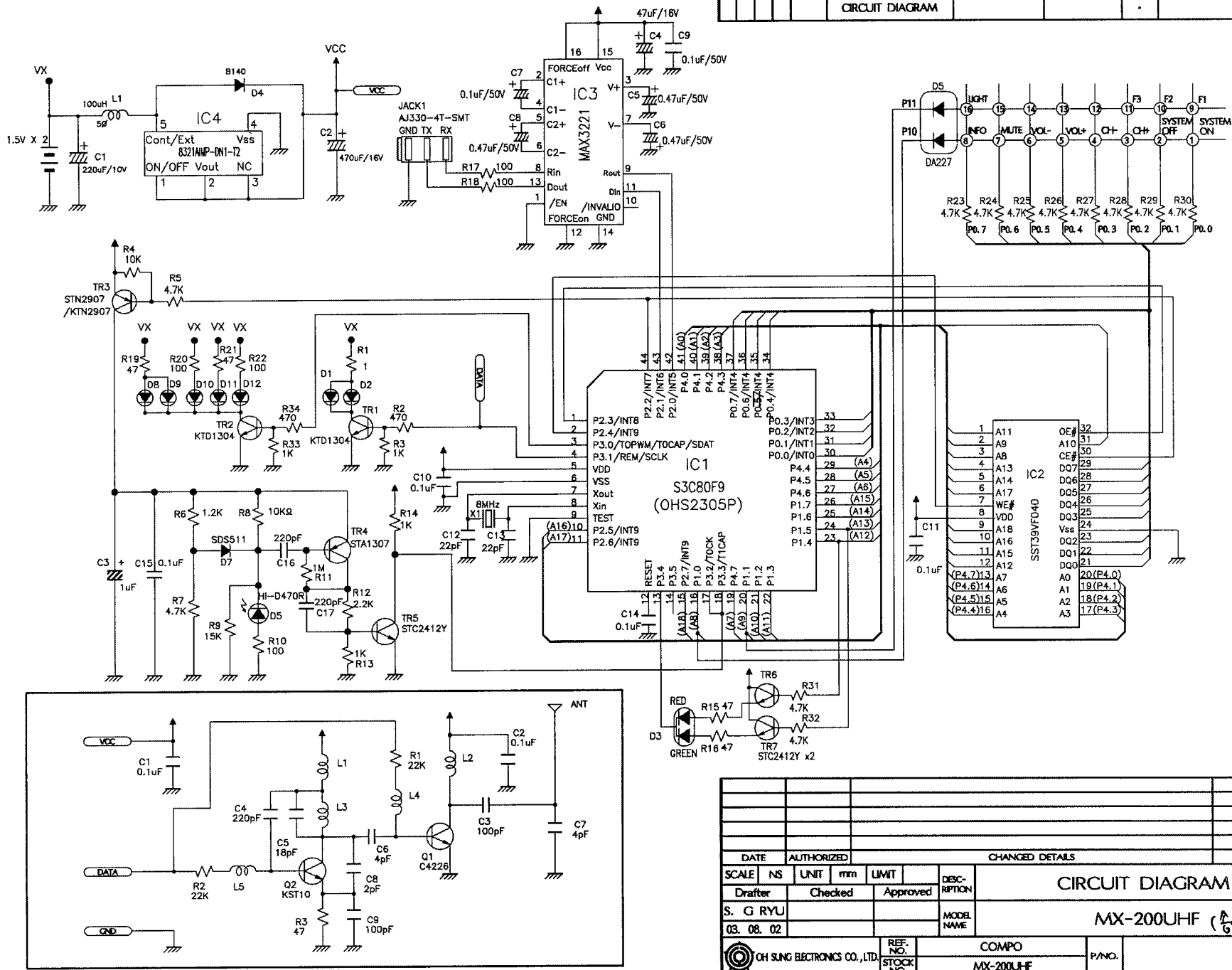


4/0

D	C	B	A	NO.	DESCRIPTION	PART NO.	MATERIAL	Q'TY	SURFACE TREATMENT	REMARK
					CIRCUIT DIAGRAM					



DATE	AUTHORIZED	CHANGED DETAILS		CHANGED BASIS
SCALE	NS	UNIT	mm	LIMIT
Drafter	Checked	Approved		DESCRIPTION
S. G RYU				MODEL NAME
03. 08. 02				MX-200UHF (송신부)
OH SUNG ELECTRONICS CO., LTD.		REF. NO.	COMPO	P/NO.
		STOCK NO.	MX-200UHF	