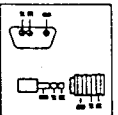
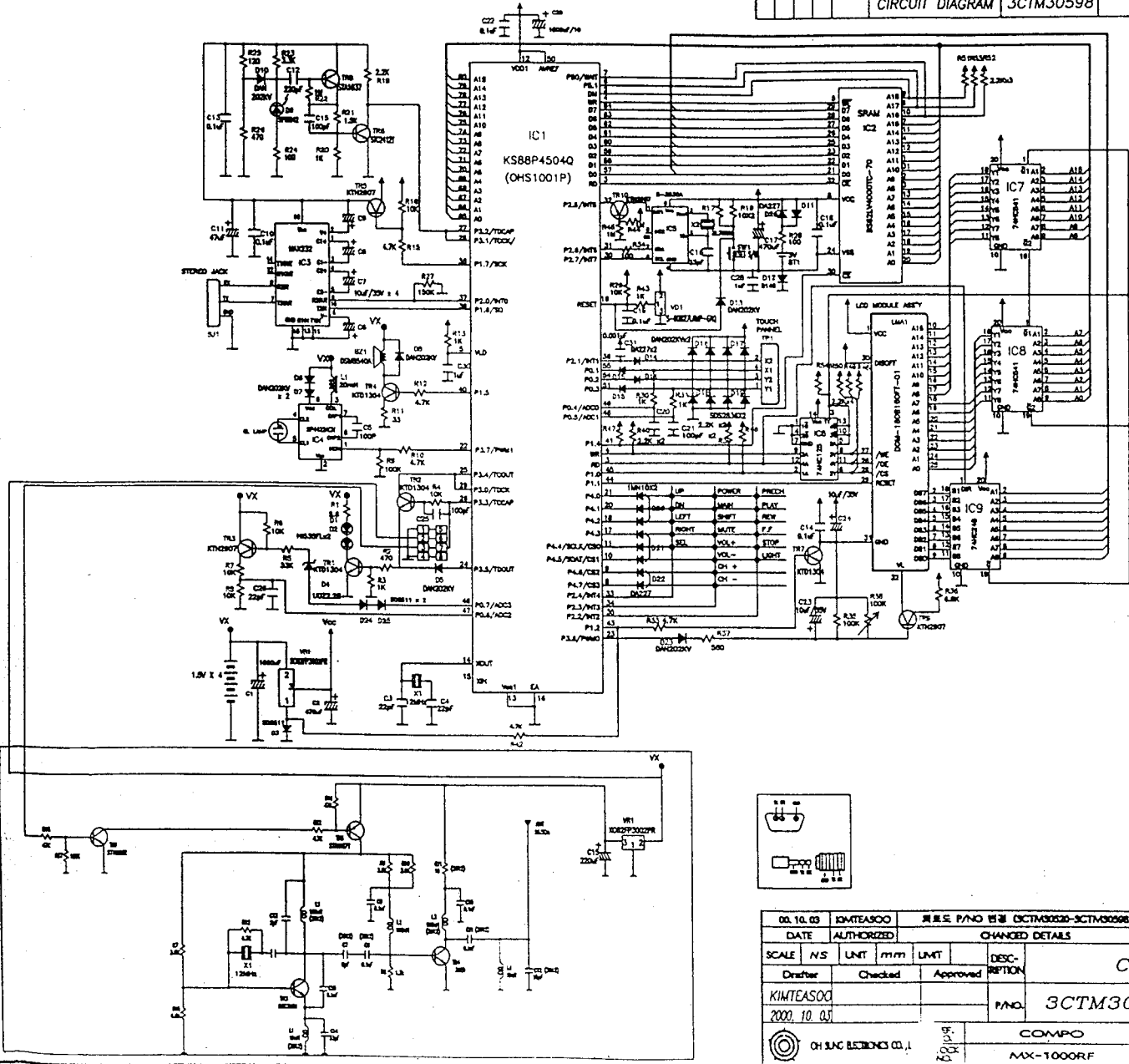


D	C	B	A	NO.	DESCRIPTION	PART NO.	MATERIAL	Q'TY	SURFACE TREATMENT	REMARK
					CIRCUIT DIAGRAM	3CTM30598		•		



DATE	SCALE	UNITS	UNITS	DESCRIPTION	PART NO.	DRAFT NO.
00.10.03	1/5	mm	mm	CIRCUIT DIAGRAM	3CTM30598(OTMF-R916TYPE)	3CTM30598
2000.10.03						

OH SINC ELECTRONICS CO., LTD. COMPO MX-1000RF DRAFT NO. 3CTM30598