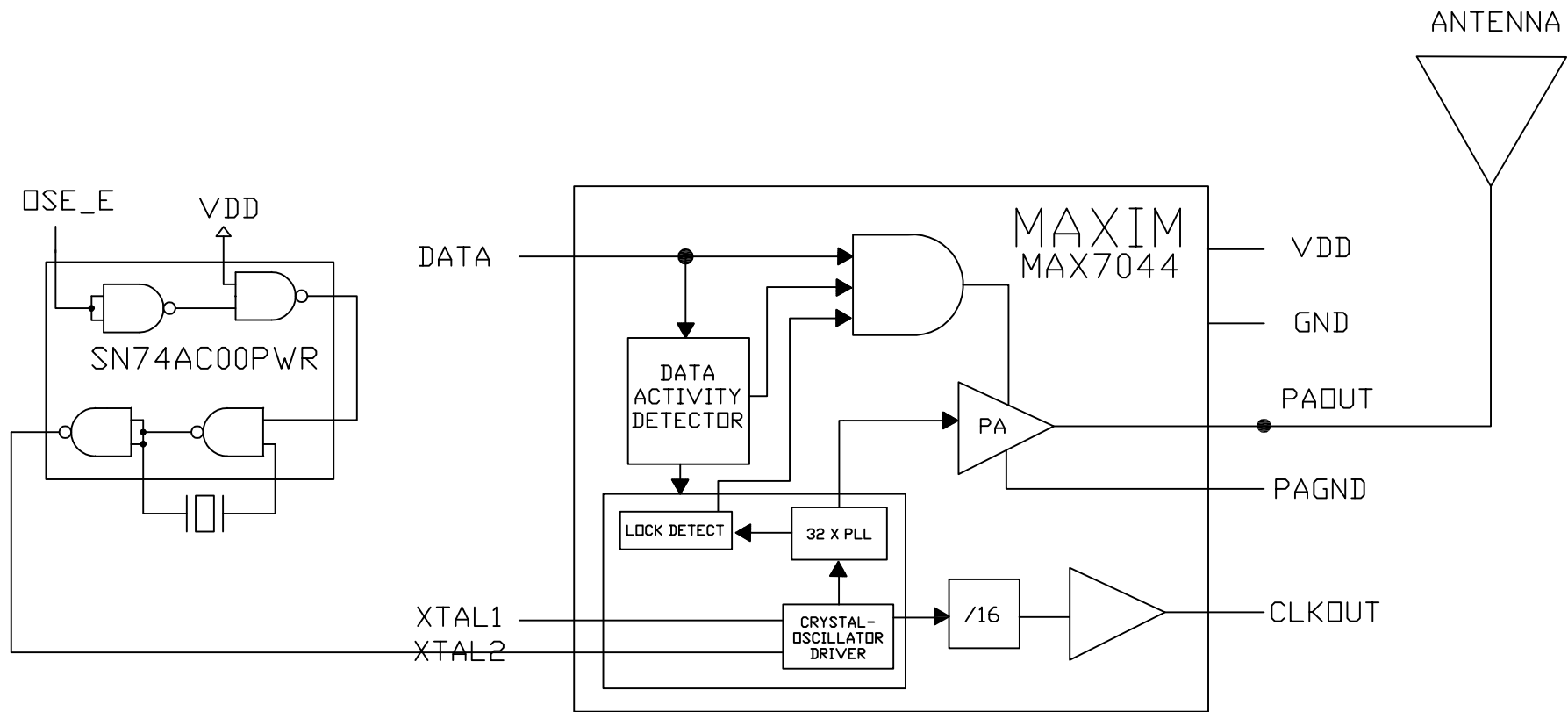


APPENDIX D  
: BLOCK DIAGRAM(S)

D	C	B	A	NO.	DESCRIPTION	PART NO.	MATERIAL	Q'TY	SURFACE TREATMENT	REMARK
					BLOCK DIAGRAM	MX-950				



DATE	AUTHORIZED	CHANGED DETAILS			CHANGED BASIS	
SCALE	NS	UNIT	M/M	LIMIT	DESC- RPTION	BLOCK DIAGRAM (RF MODULE)
Drafter	Checked	Approved		P/NO.	ØTMF-A417 TYPE	
OH SUNG ELECTRONICS CO., LTD.				REF. NO. STOCK NO.	DRAFT NO.	MX-950