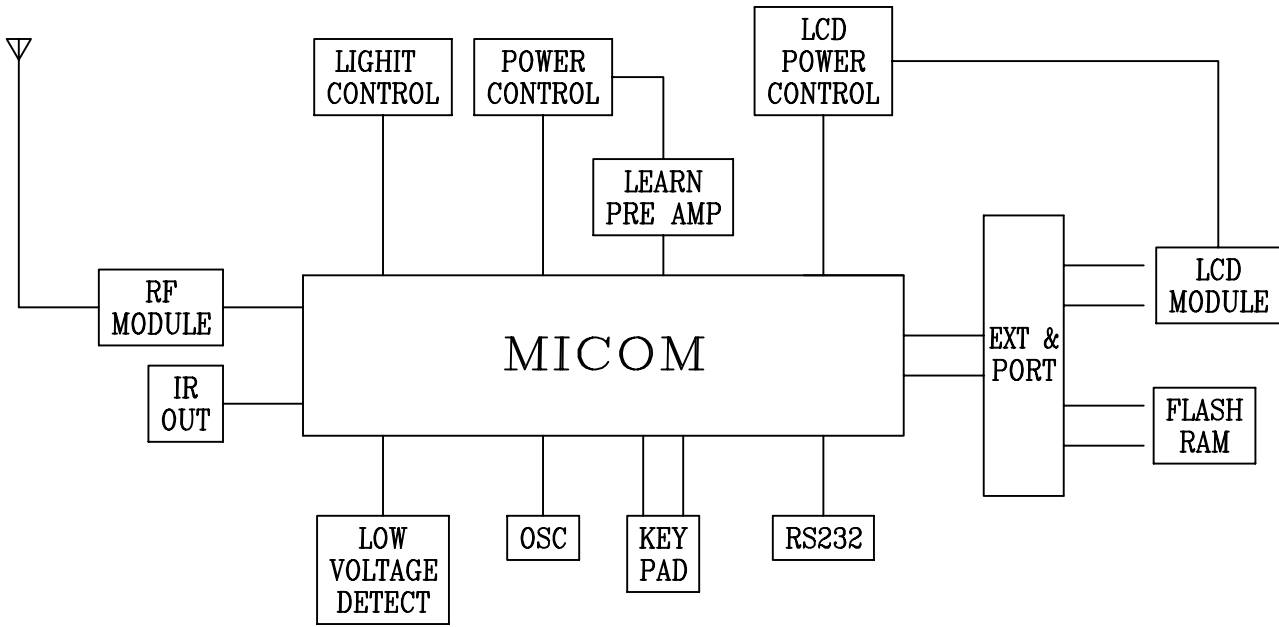


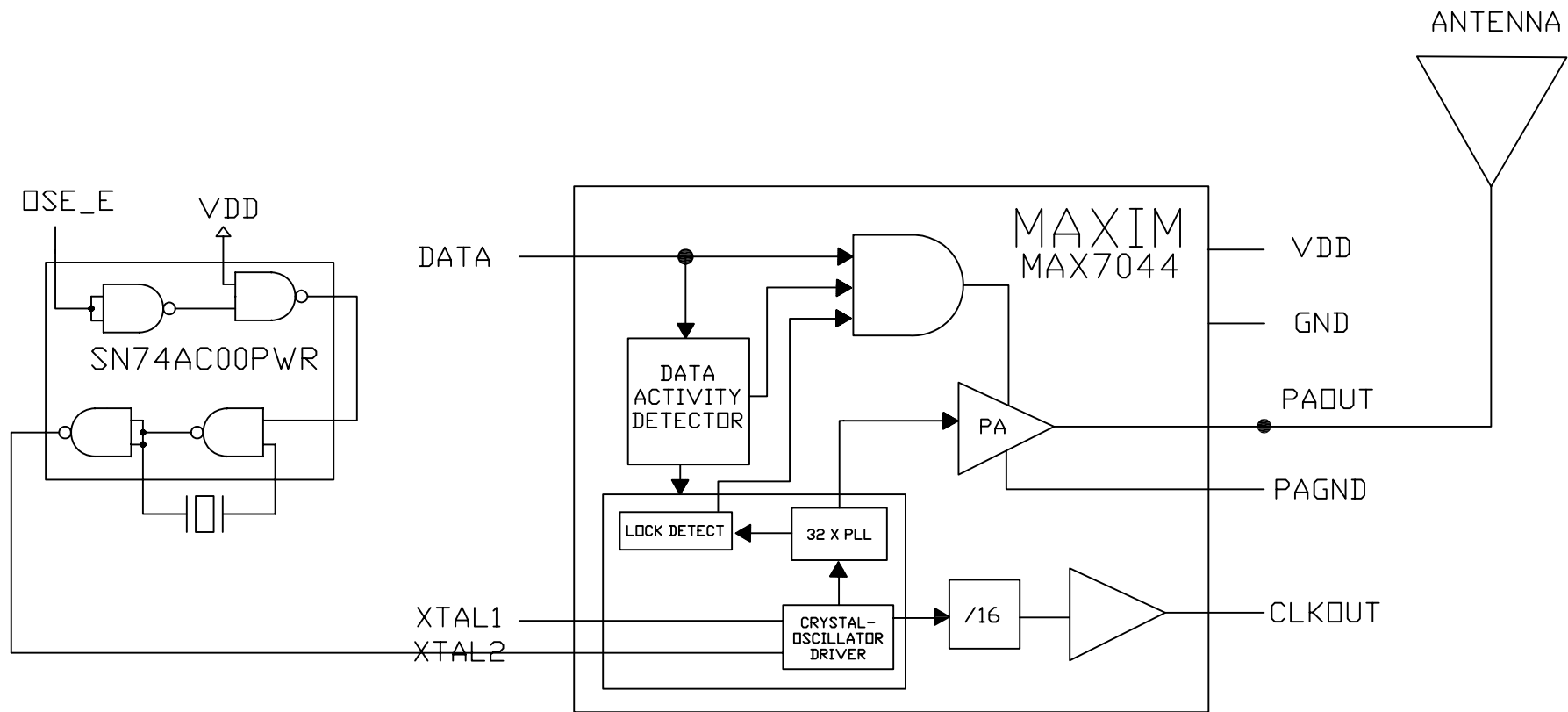
APPENDIX D  
: BLOCK DIAGRAM(S)

D	C	B	A	NO.	DESCRIPTION	PART NO.	MATERIAL	Q'TY	SURFACE TREATMENT	REMARK
					BLOCK DIAGRAM	MX-850				



DATE		AUTHORIZED		CHANGED DETAILS		CHANGED BASIS	
SCALE	NS	UNIT	MM	LIMIT	DESCR	BLOCK DIAGRAM (HW BLOCK)	
Drafter	Checked	Approved	P/NO.		ØTMF-A416 TYPE		
OH SING ELECTRONICS CO., LTD.		REF. NO.	STOCK NO.		DRAFT NO.	MX-850	

D	C	B	A	NO.	DESCRIPTION	PART NO.	MATERIAL	Q'TY	SURFACE TREATMENT	REMARK
					BLOCK DIAGRAM	MX-850				



DATE	AUTHORIZED	CHANGED DETAILS			CHANGED BASIS	
SCALE	NS	UNIT	MM	LIMIT	DESC- RIPTION	BLOCK DIAGRAM (RF MODULE)
Drafter	Checked	Approved			P/NO.	ØTMF-A416 TYPE
OH SUNG ELECTRONICS CO., LTD.				REF. NO. STOCK NO.	DRAFT NO.	MX-850