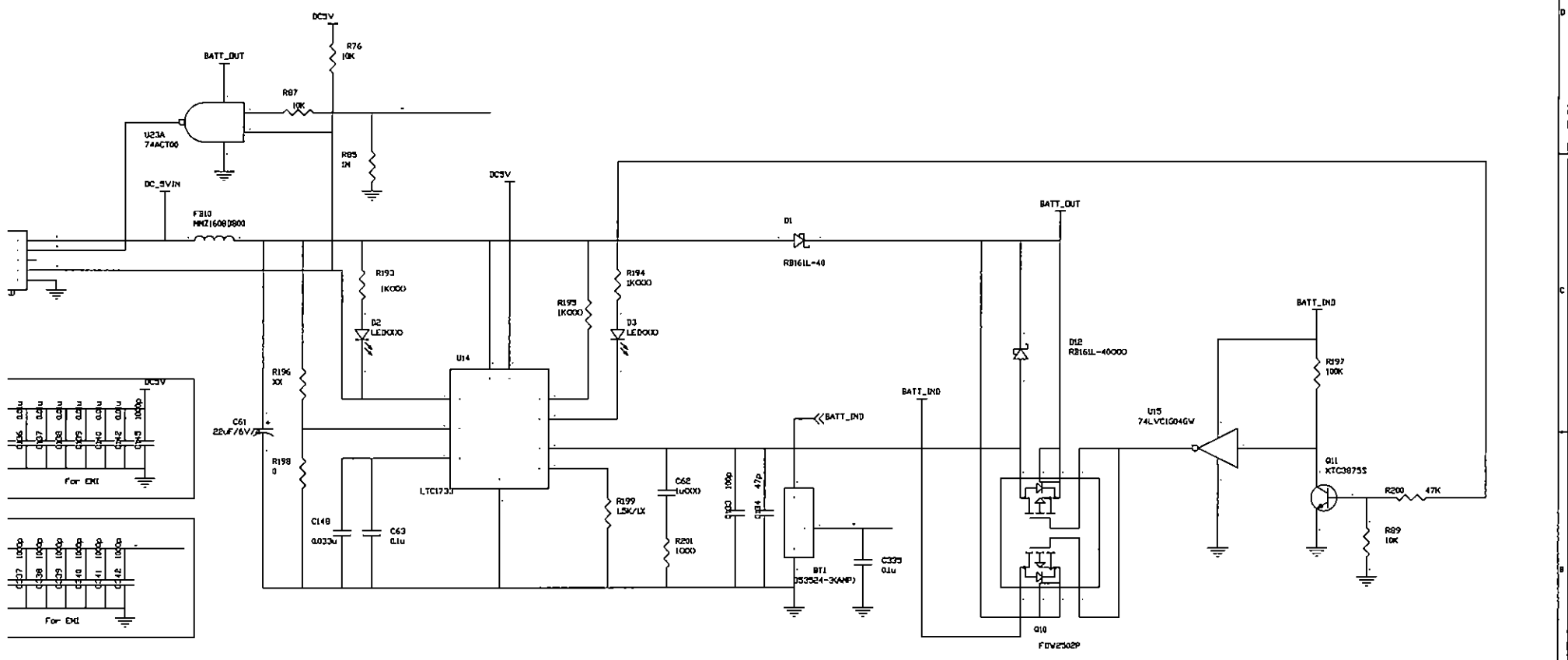
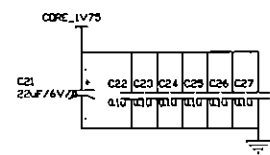
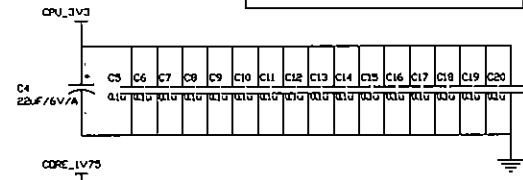
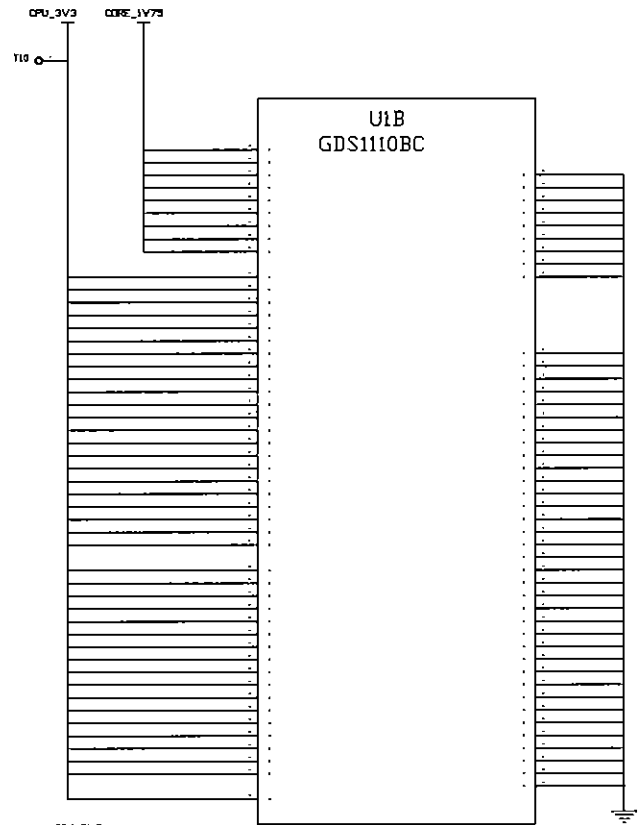


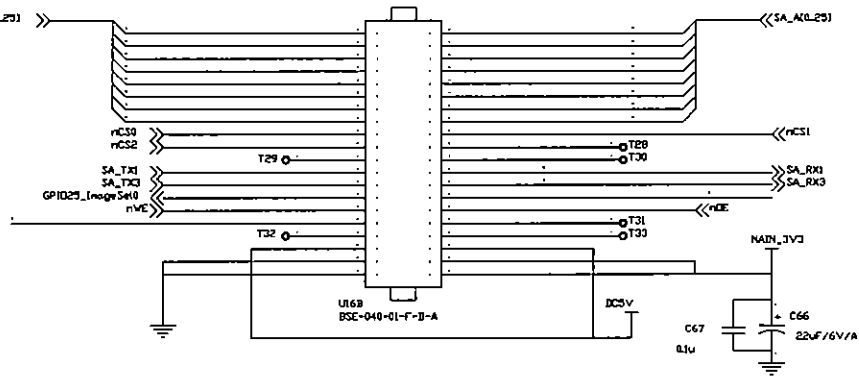
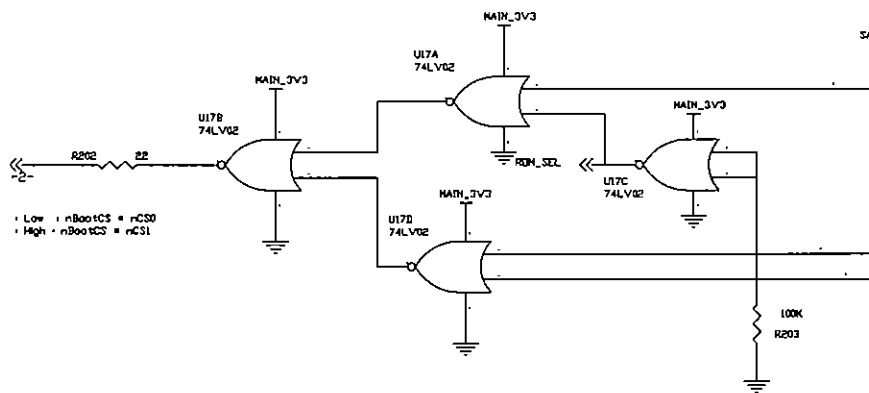
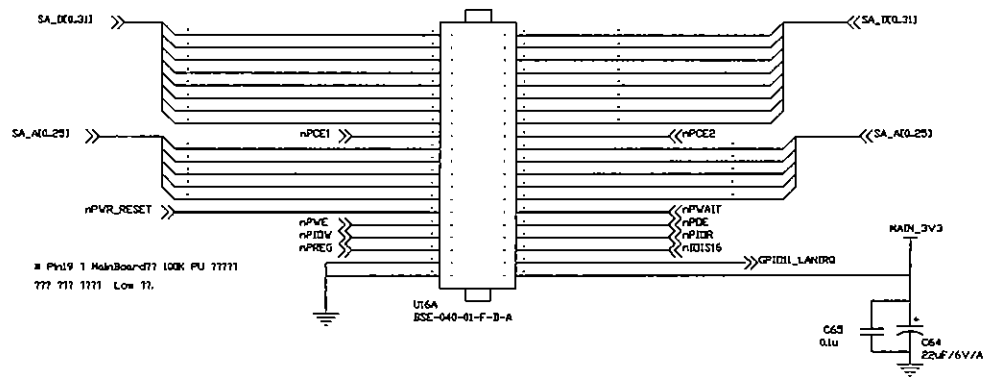
REV	(3) Audio & Touch	REV
REV	DOCUMENT NUMBER	REV
A3	1000	0.9
DATE	Monday, January 05, 2014	PAGE
	4	12



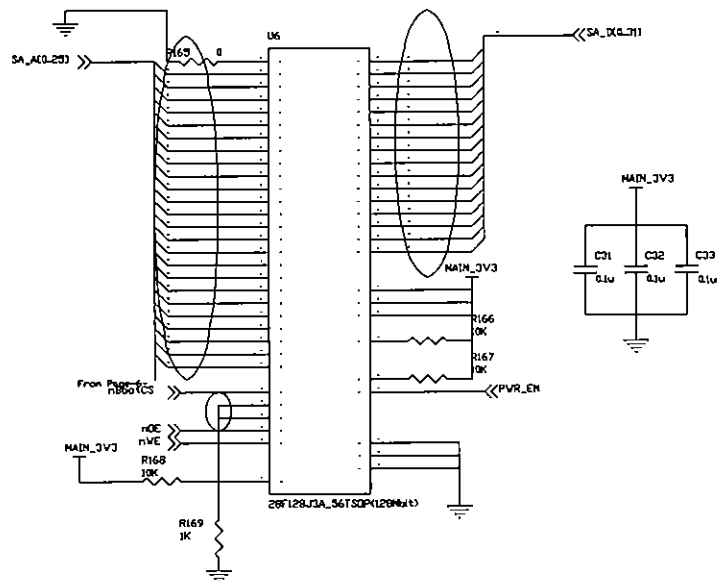
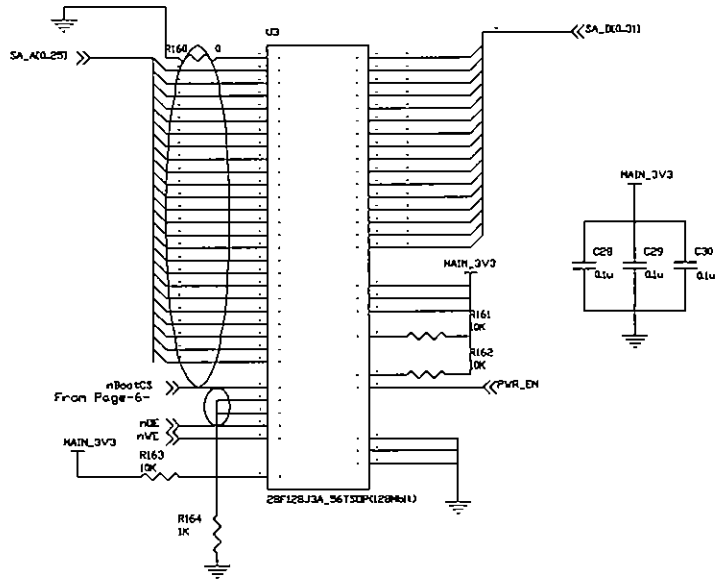
Title		
(5) Battery Control		
Rev	Document Number	Rev
A3	(Doc)	0.9
Date	Monday, January 03, 2004	Page 6 of 12



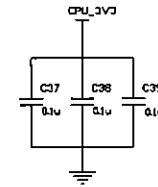
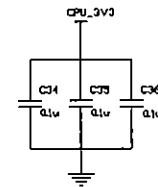
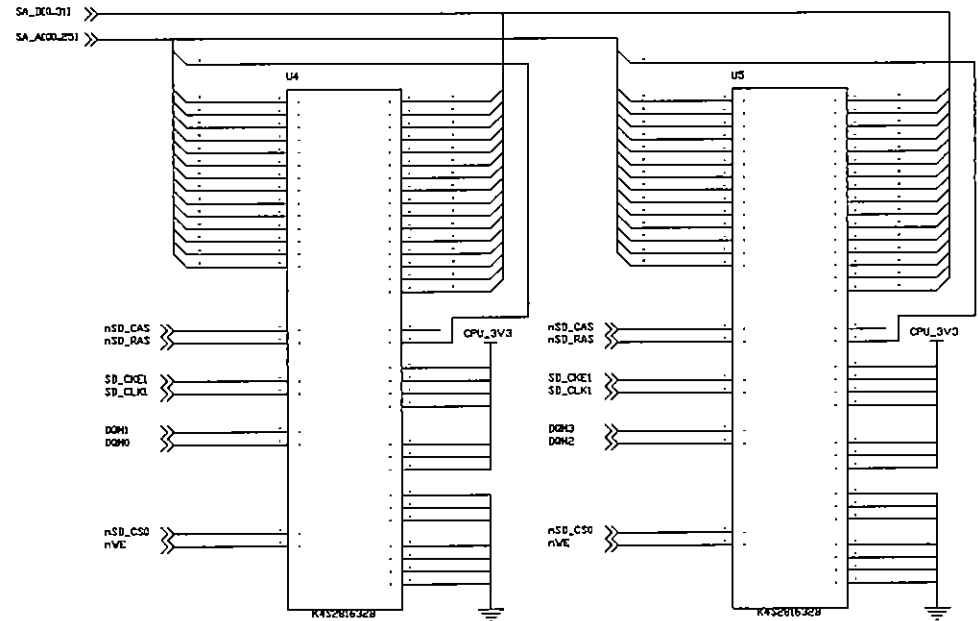
Title			(1-2) CPU Power&GND Part		
REV	DESCRIPTION	DATE	BY	CHKD	APPV
A3	Document Number (Doc)	Monday, January 10, 2011			0.9
DATE			PRINT 2 of 12		



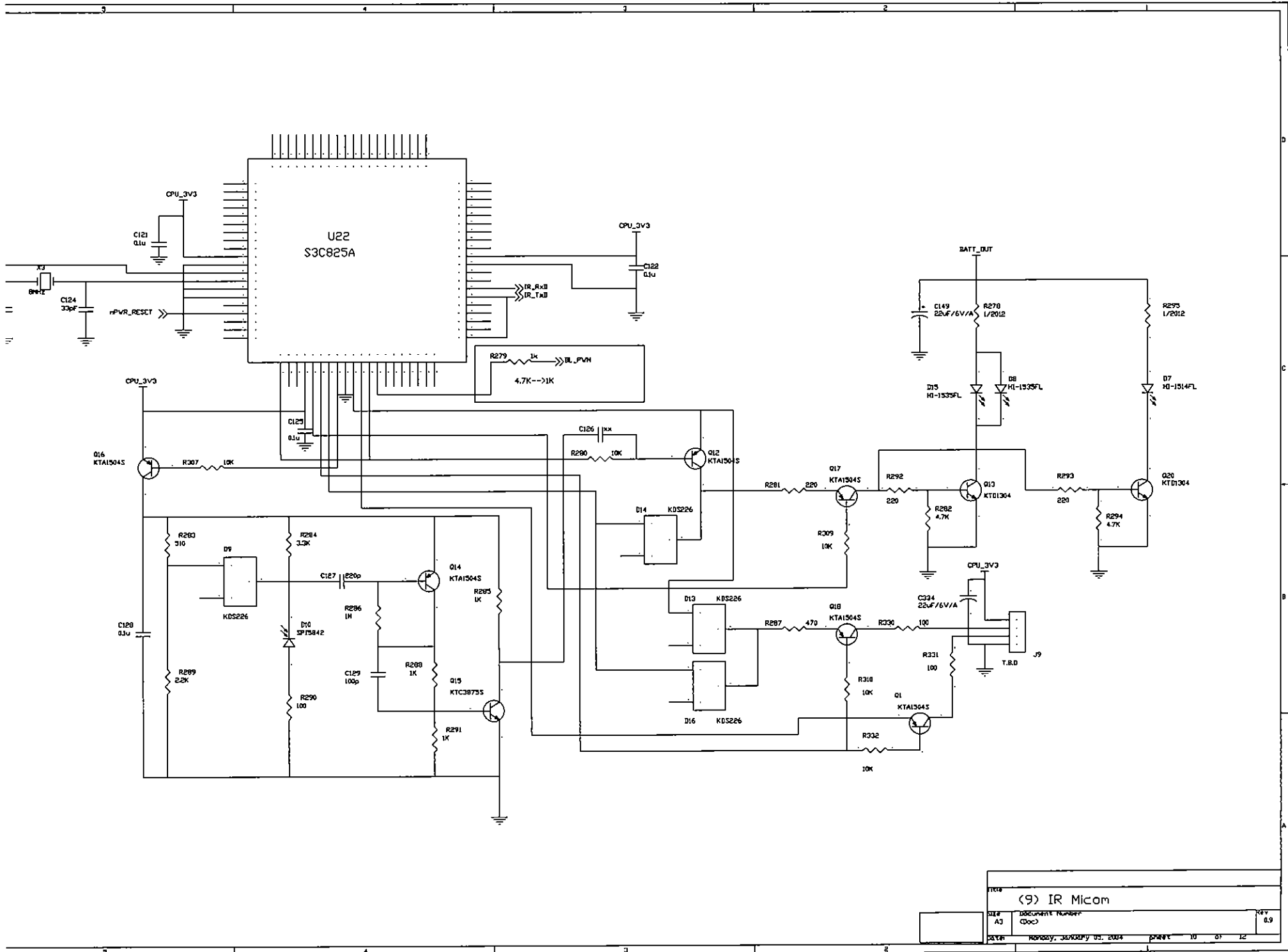
Rev		(6) Ext. I/F	
SIZE	A3	DOCUMENT NUMBER	047 0.9
DATE	Monday, January 03, 2004	PAGE	7 of 12

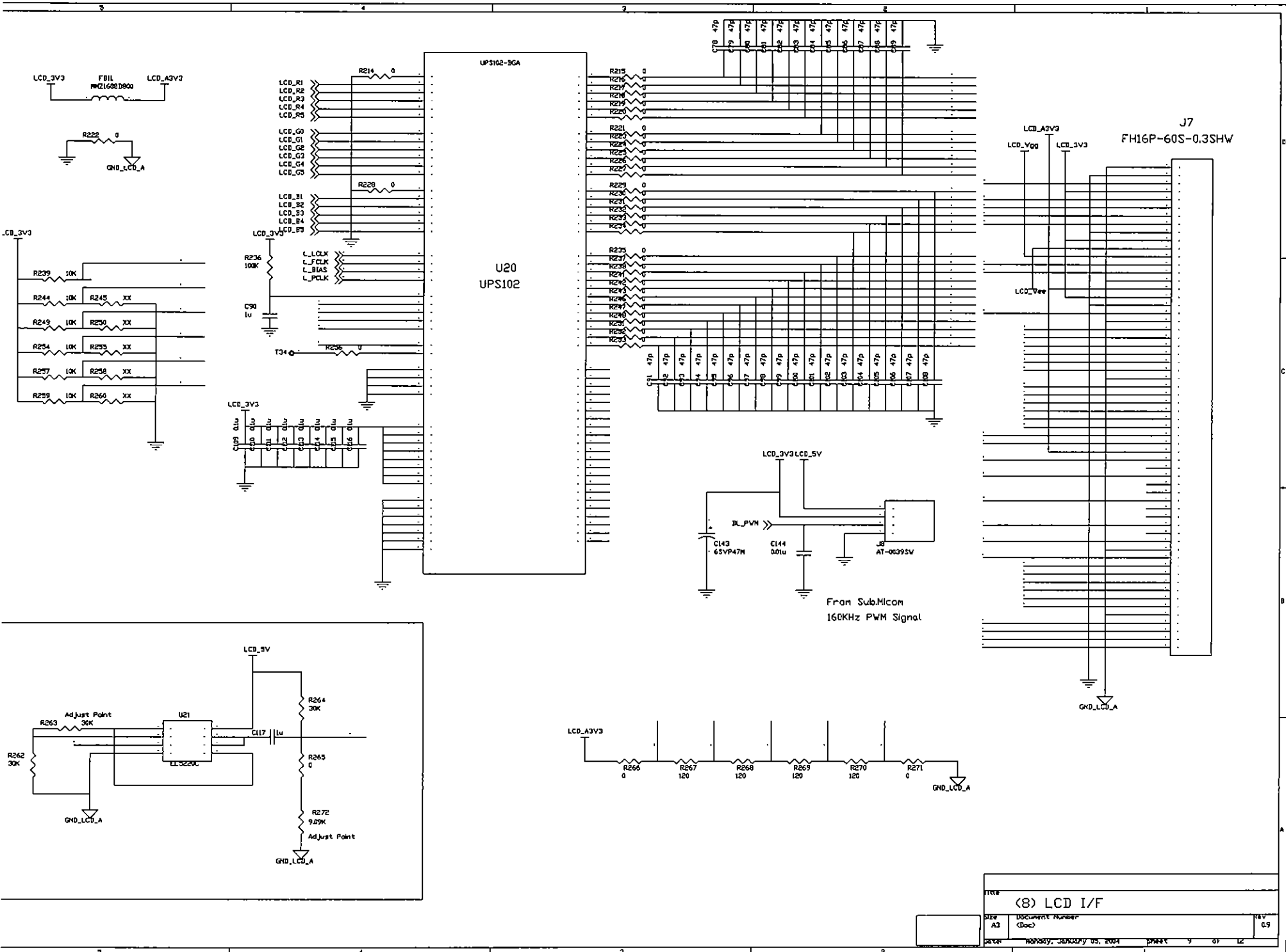


* U8, U9 must be placed as close as possible with CPU.



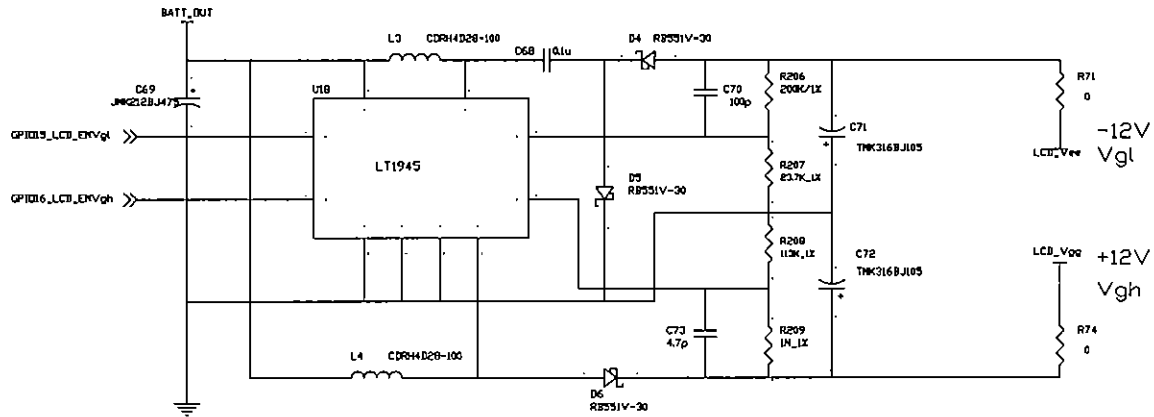
Title			(2)Flash & SDRAM
Size	Document Number	Rev	
A3	(Doc)	0.9	
Date	Monday, January 03, 2005	Sheet	1 of 12



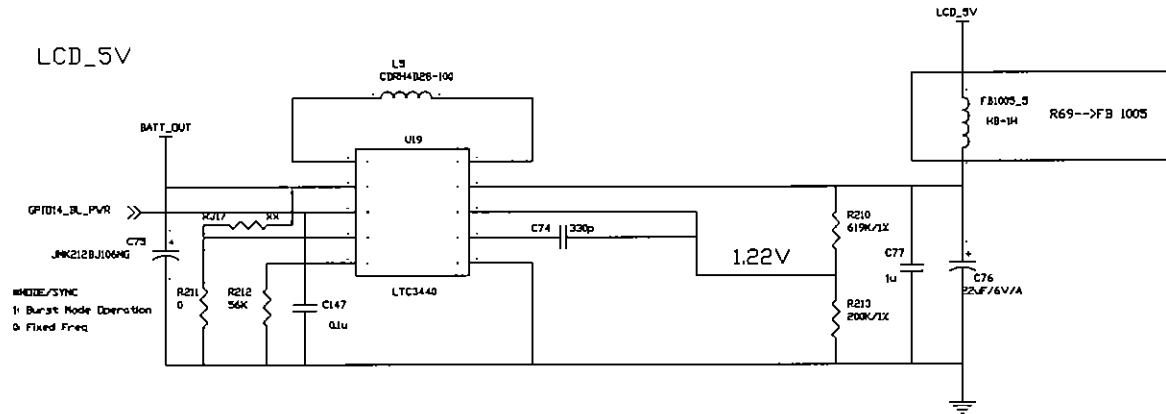


TITLE		
(8) LCD I/F		
REV	DOCUMENT NUMBER	REV
A3	(Doc)	05
DATE	HOUSAY, JUN 20 05, 2004	DRWEN 9 01 LZ

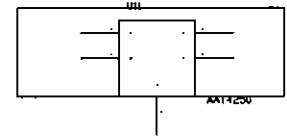
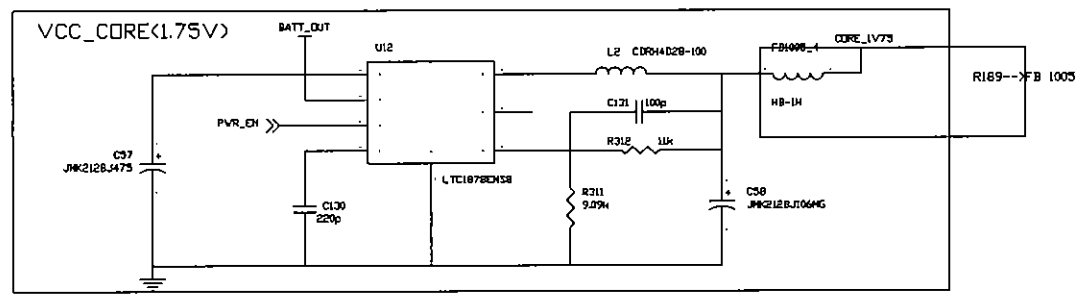
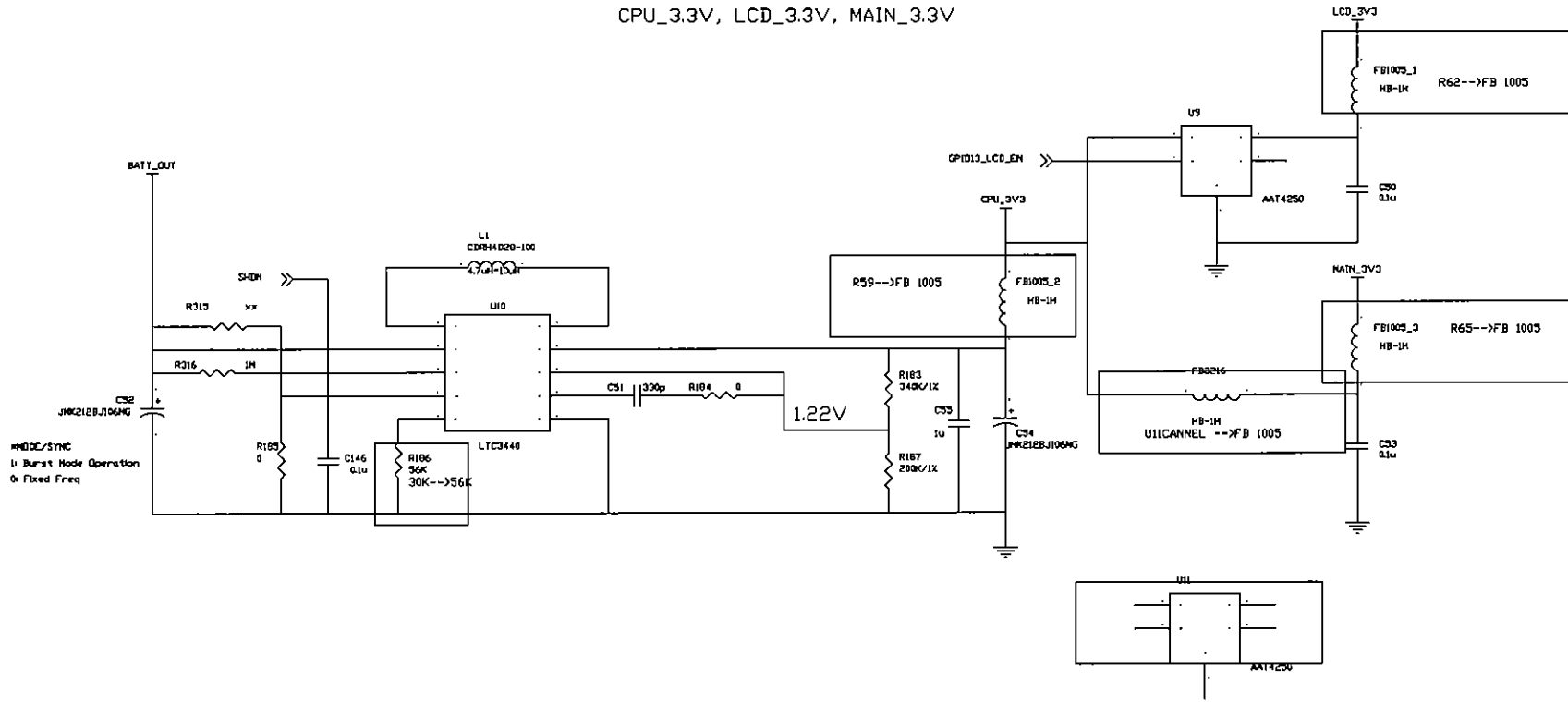
LCD_Vgg/Vee



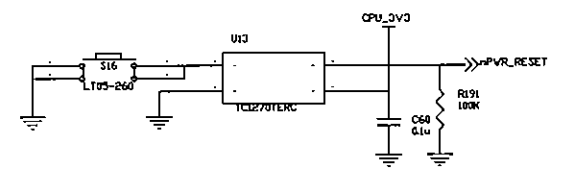
LCD_5V



CPU_3.3V, LCD_3.3V, MAIN_3.3V

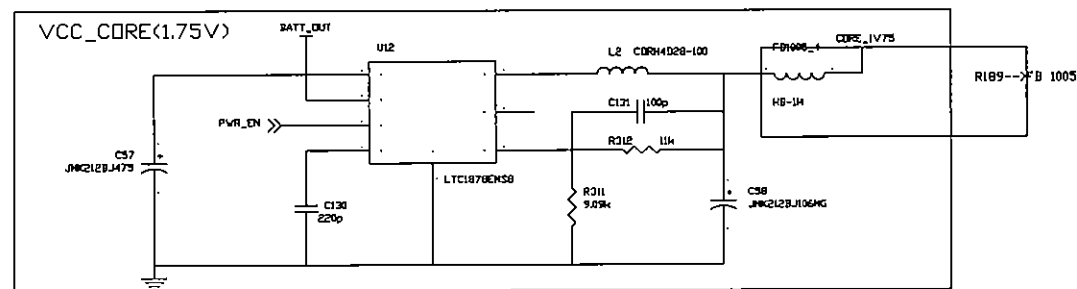
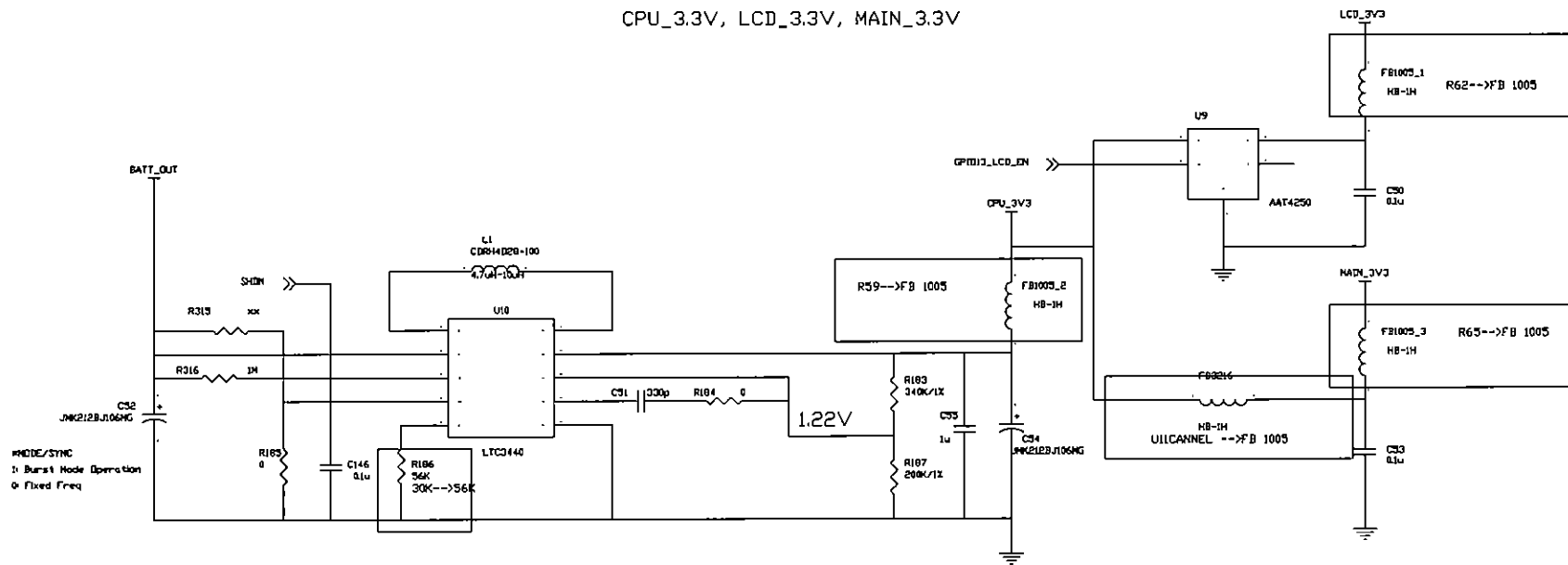


RESET

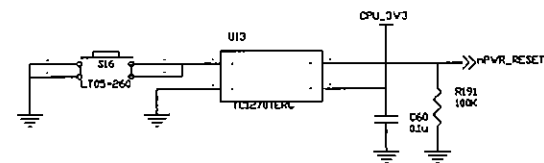


1708 (4) Power & Reset			
REV	A3	Document Number (Doc)	0.9
DATE	Monday, January 05, 2004	TIME	01:12

CPU_3.3V, LCD_3.3V, MAIN_3.3V



RESET



(4) Power & Reset

REV	DESCRIPTION / NUMBER	REV
A3	(Doc)	0.9
REV	Monday, January 03, 2011	01 12

5

10

15

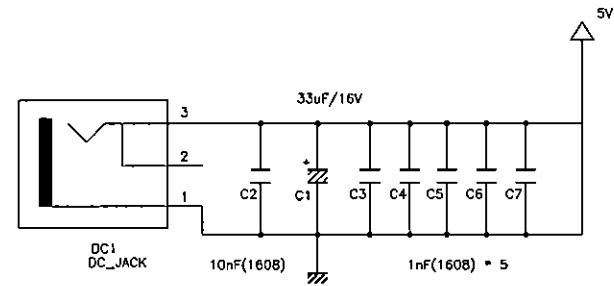
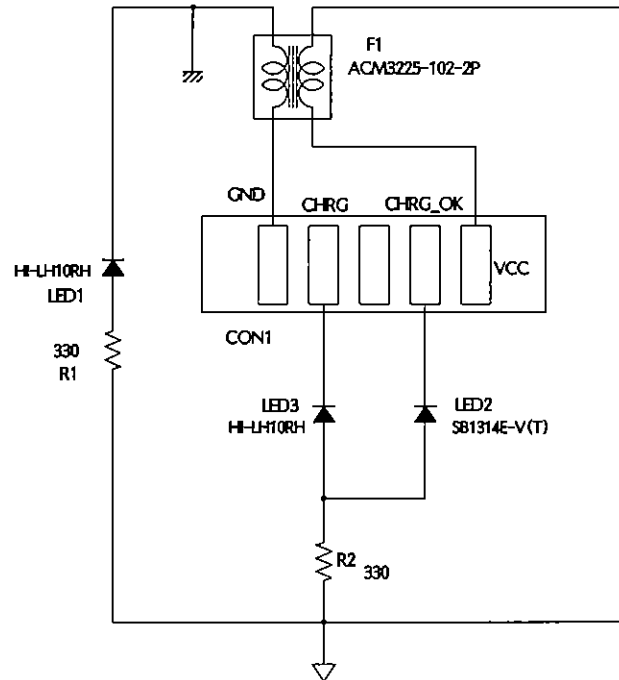
20

25

30

35

D	C	B	A	NO.	DESCRIPTION	PART NO.	MATERIAL	Q'TY	SURFACE TREATMENT	REMARK
					CIRCUIT DIAGRAM	3CTM-----		.		.



DATE	AUTHORIZED	CHANGED DETAILS				CHANGED BASIS
SCALE	NS	UNIT	mm	LIMIT	DESC- RIPTION	CIRCUIT DIAGRAM
Drafter	Checked	Approved		MODEL NAME	øTMF-A303TYPE	
2003.02.06				COMPO	P/NO.	3CTM-----
OH SUNG ELECTRONICS CO., LTD.				REF. NO. STOCK NO.		

5

10

15

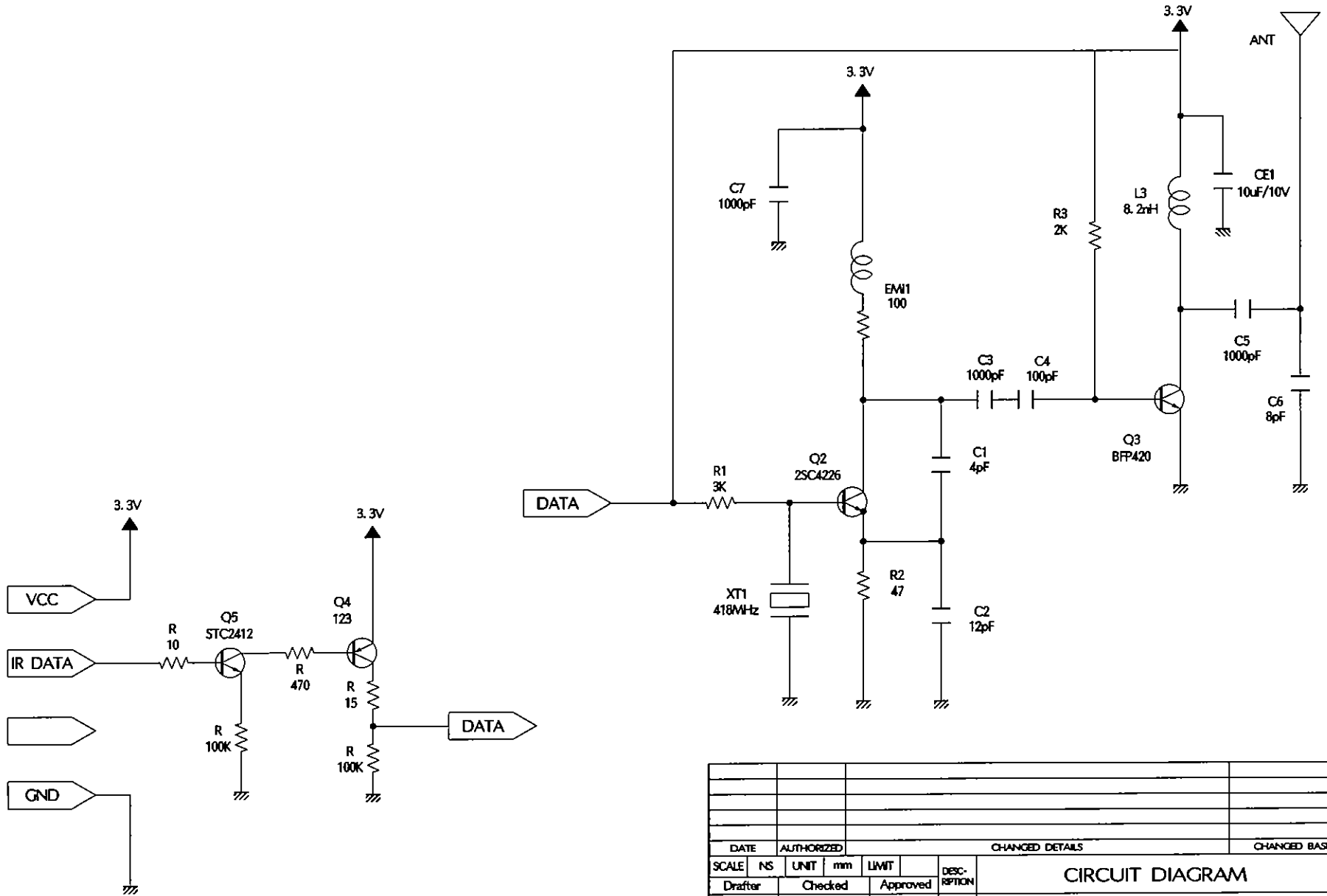
20

25

30

35

D	C	B	A	NO.	DESCRIPTION	PART NO.	MATERIAL	Q'TY	SURFACE TREATMENT	REMARK
					CIRCUIT DIAGRAM					



DATE	AUTHORIZED	CHANGED DETAILS	CHANGED BASIS				
SCALE	NS	UNIT	mm	LIMIT	DESC-PTION	CIRCUIT DIAGRAM	
Drafter	Checked	Approved			MODEL NAME	OTMF-A304TYPE	
2003.12.08					COMPO	P/NO.	
OH SUNG ELECTRONICS CO., LTD.				REF. NO.	STOCK NO.		