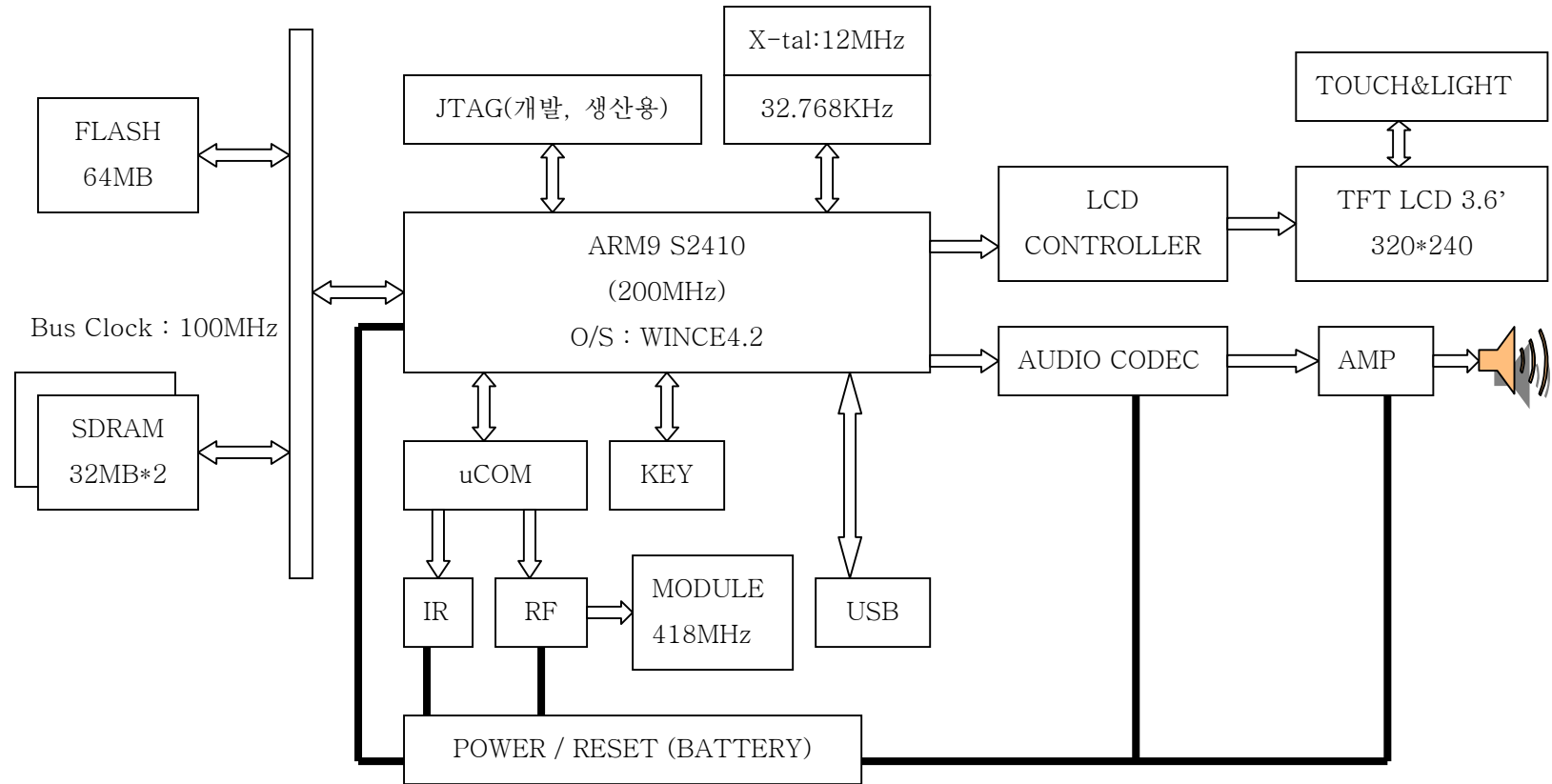
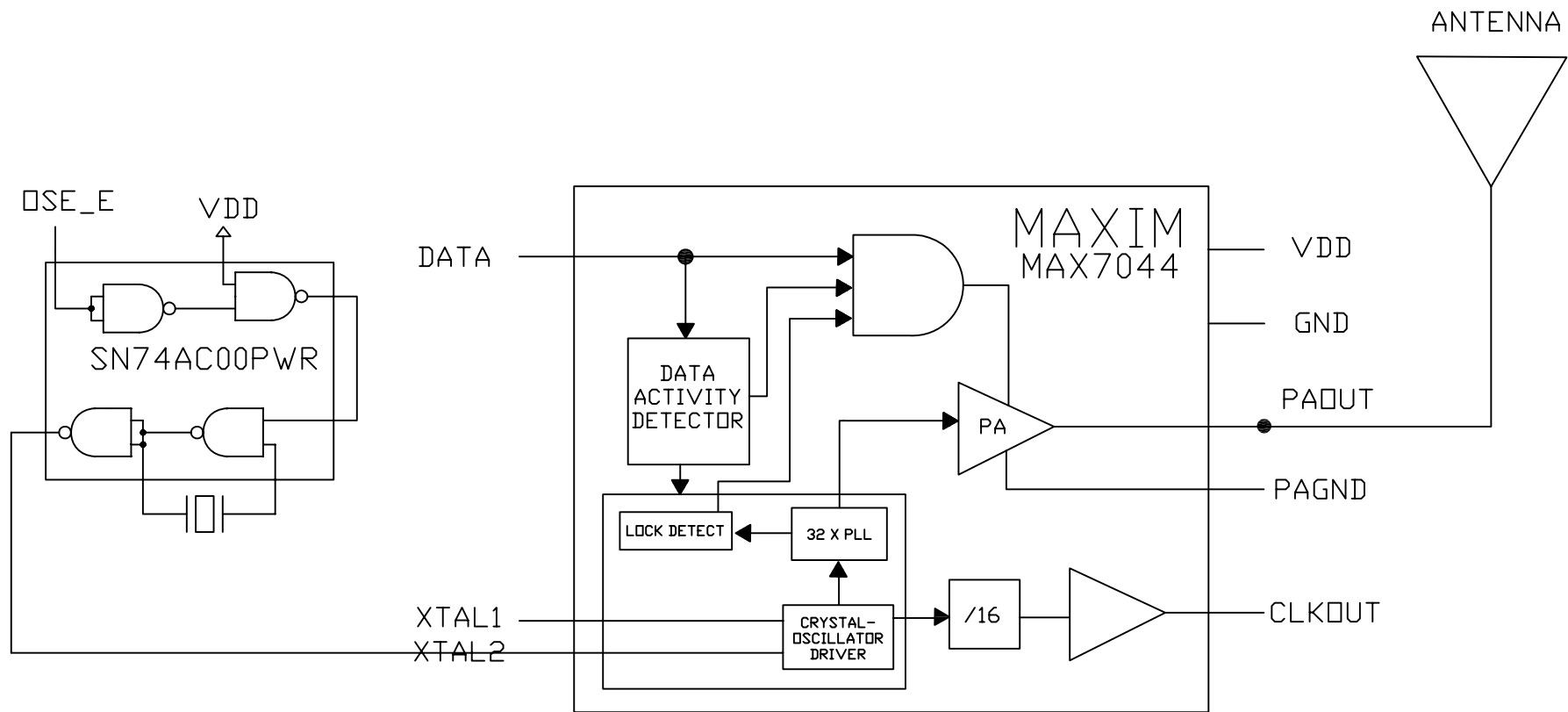


APPENDIX D
: BLOCK DIAGRAM(S)

MX-3000 H/W Block Digagram



D	C	B	A	NO.	DESCRIPTION	PART NO.	MATERIAL	Q'TY	SURFACE TREATMENT	REMARK
					BLOCK DIAGRAM	MX-3000				



DATE	AUTHORIZED	CHANGED DETAILS			CHANGED BASIS	
SCALE	NS	UNIT	MM	LIMIT	DESC-PTION	BLOCK DIAGRAM (RF MODULE)
Drafter	Checked	Approved		P/NO.	ØTMF-A302 TYPE	
OH SUNG ELECTRONICS CO., LTD.				REF. NO.	REF. STOCK NO.	DRAFT NO. MX-3000