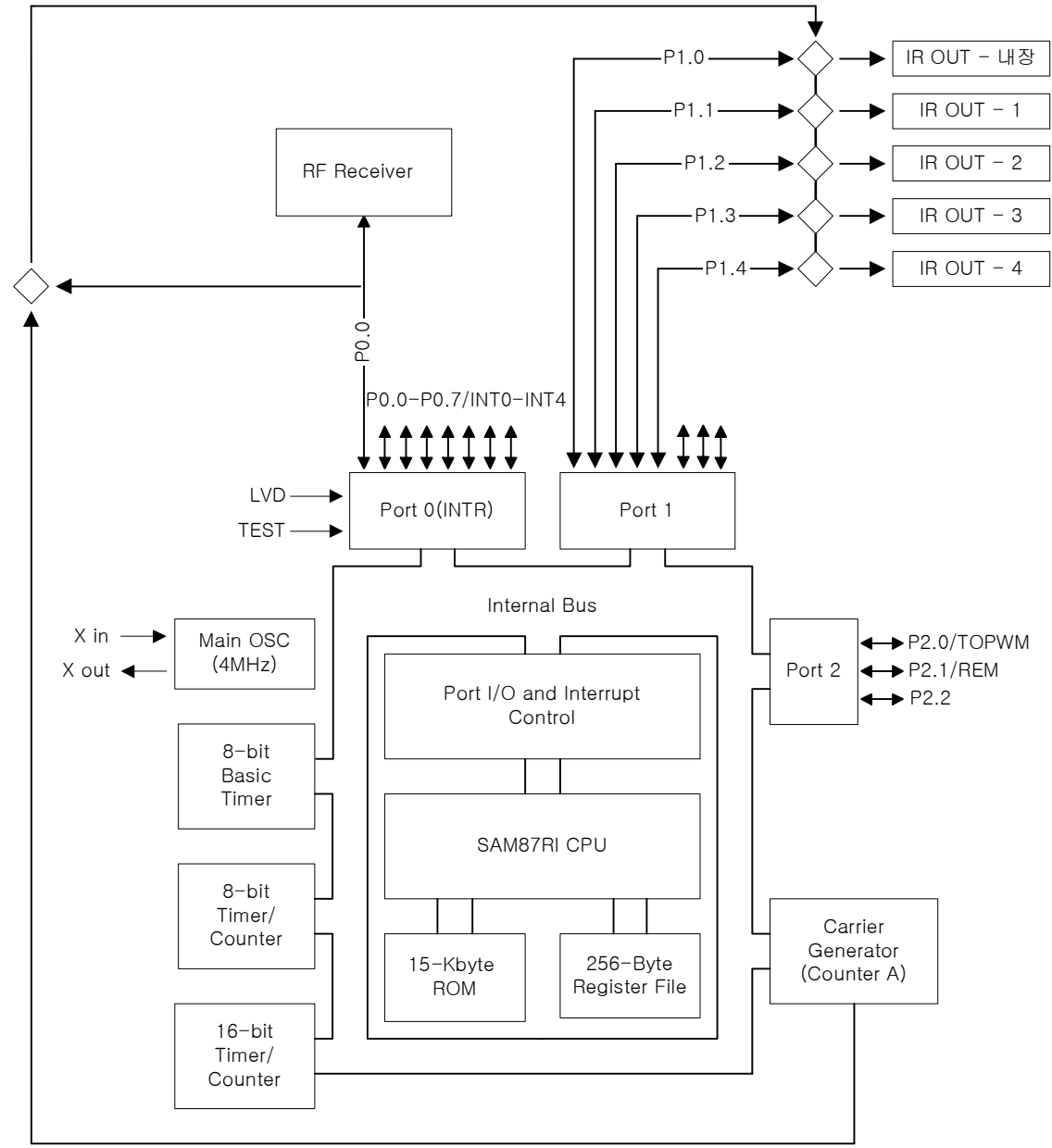
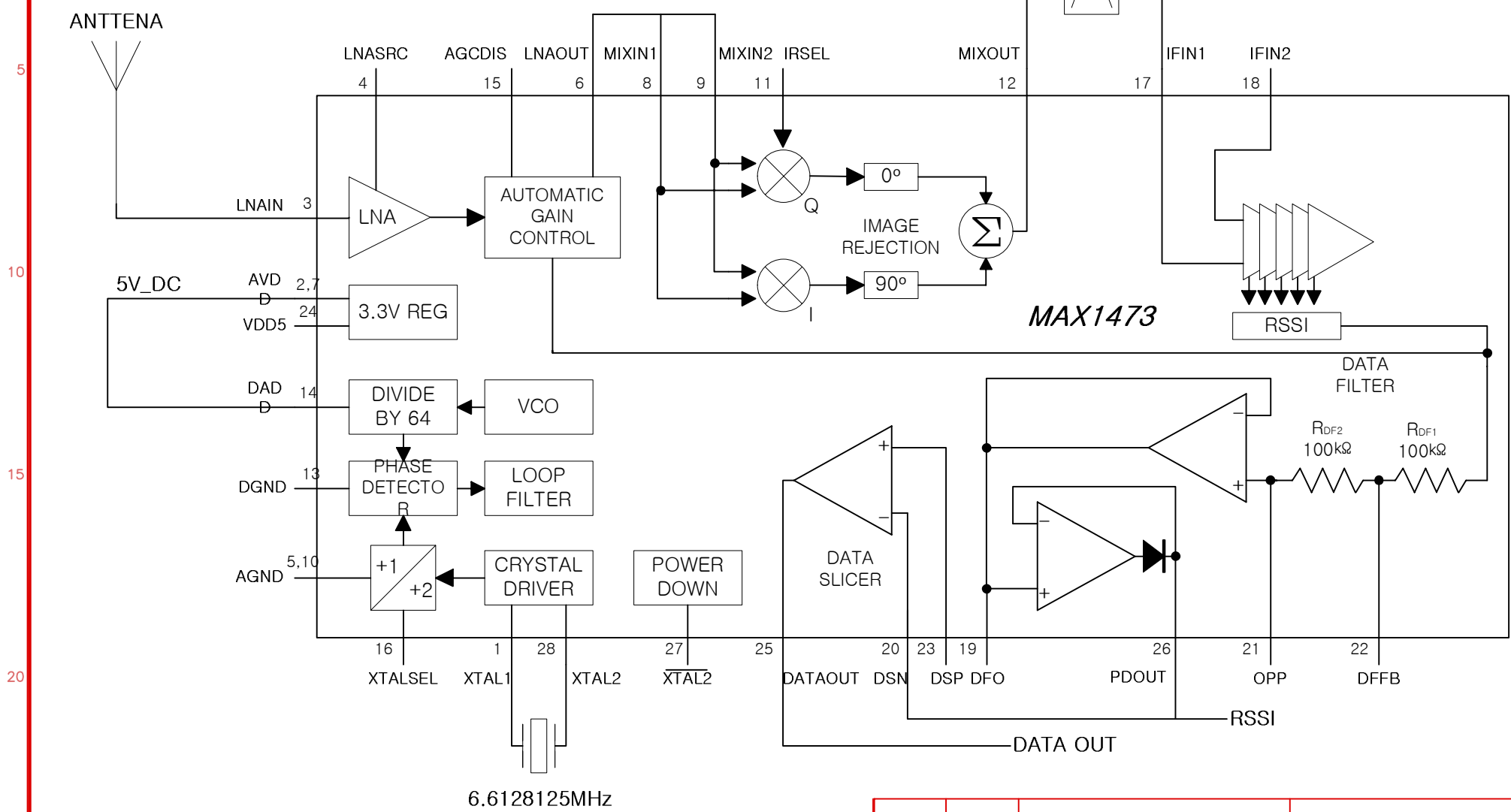


APPENDIX D
: BLOCK DIAGRAM



D	C	B	A	NO.	DESCRIPTION	PART NO.	MATERIAL	Q'TY	SURFACE TREATMENT	REMARK
					BLOCK DIAGRAM	MRF-260i				



DATE	AUTHORIZED	CHANGED DETAILS	CHANGED BASIS							
SCALE	NS	UNIT	M/M	LIMIT	DESC- RIPTION	BLOCK DIAGRAM (RF MODULE)				
Drafter	Checked	Approved			P/NO.	ØTMF-A709 TYPE				
OH SUNG ELECTRONICS CO., LTD.						REF. NO.		DRAFT NO.	MRF-260i	
						STOCK NO.				