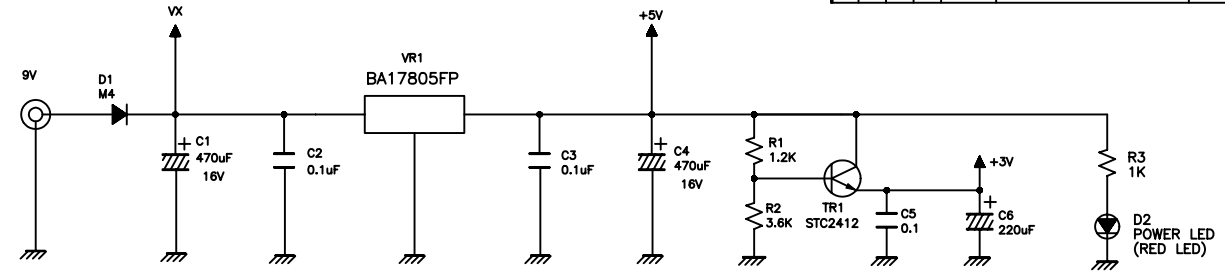
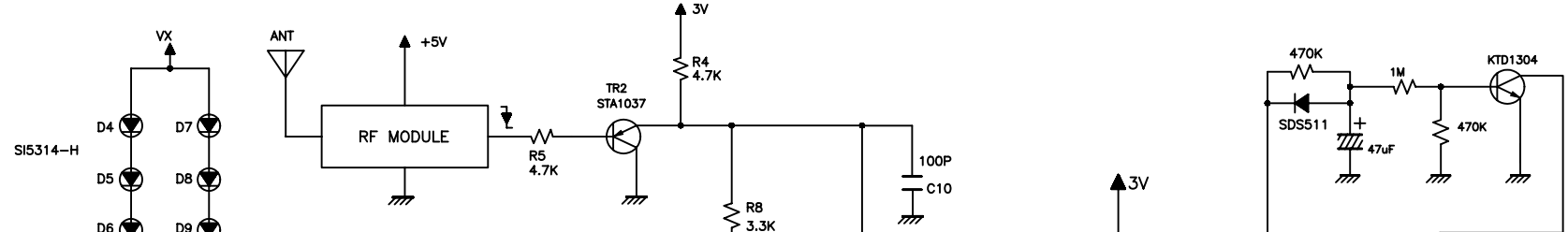


D	C	B	A	NO.	DESCRIPTION	PART NO.	MATERIAL	Q'TY	SURFACE TREATMENT	REMARK
					CIRCUIT DIAGRAM	3CRE30---A				.

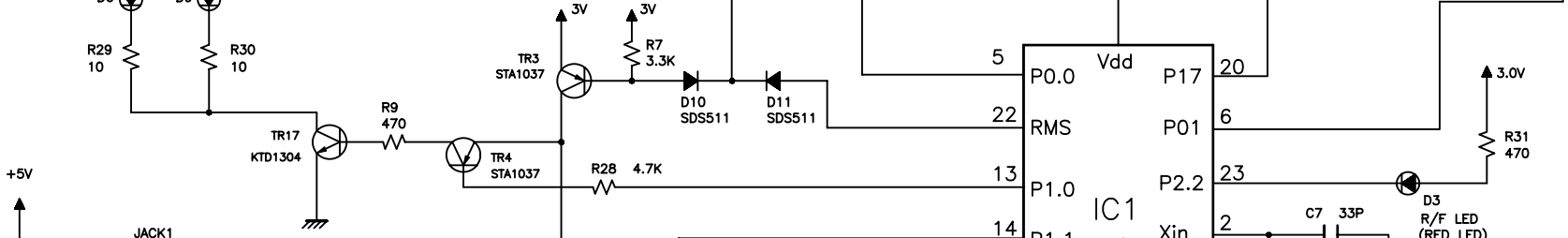
5



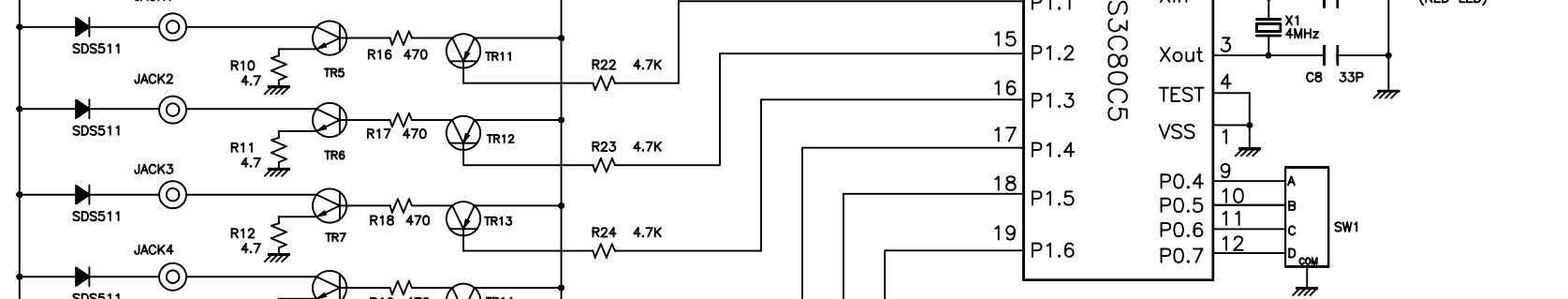
10



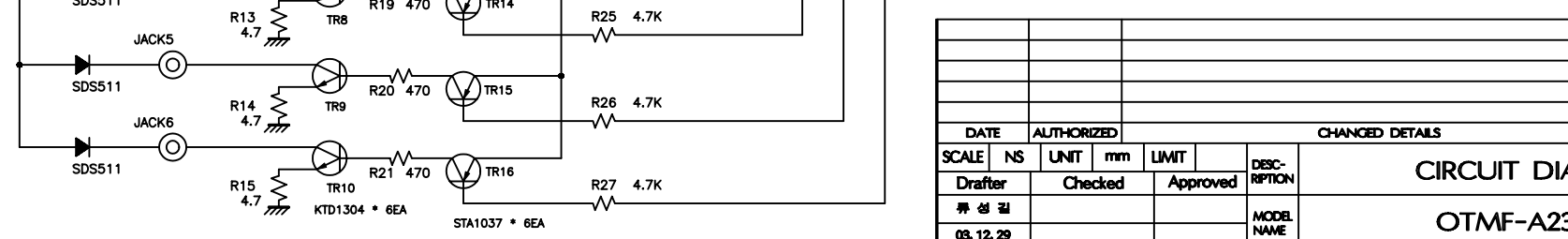
15



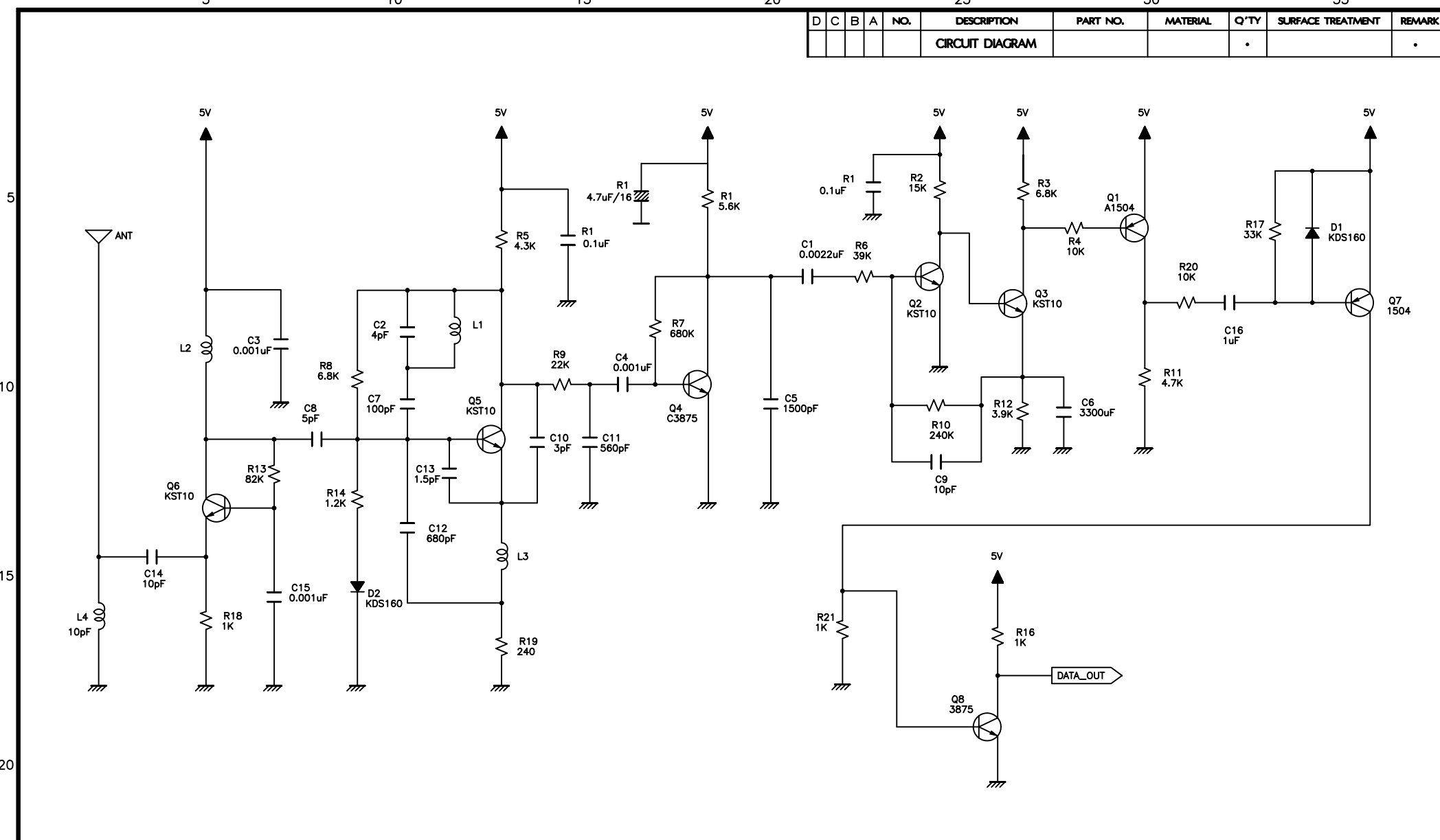
20



25



DATE	AUTHORIZED	CHANGED DETAILS		CHANGED BASIS
SCALE	NS	UNIT	mm	LIMIT
Drafter		Checked	Approved	DESCRIPTION
03.12.29				MODEL NAME
OH SUNG ELECTRONICS CO., LTD.		REF. NO.	COMPO	P/NO.
STOCK NO.				3CRE30---A



D	C	B	A	NO.	DESCRIPTION	PART NO.	MATERIAL	Q'TY	SURFACE TREATMENT	REMARK
					CIRCUIT DIAGRAM			.		.

DATE		AUTHORIZED		CHANGED DETAILS			CHANGED BASIS
SCALE	UNIT	mm	LIMIT	± 0.1	DESCRPTION	CIRCUIT DIAGRAM	
Drafter	Checked	Approved			MODEL NAME	RECEIVER MODULE	
S. G RYU							
03. 08. 02							
OH SUNG ELECTRONICS CO., LTD.		REF. NO.	COMPO		P/NO.		
		STOCK NO.					