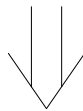
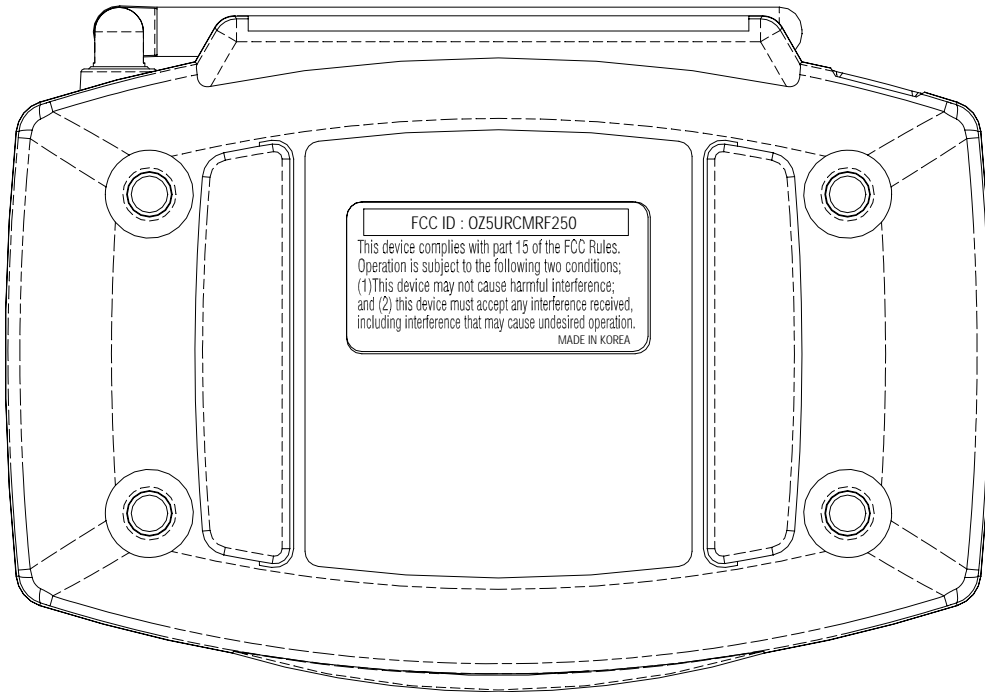


MRF-250



FCC ID : OZ5URCMRF250

This device complies with part 15 of the FCC Rules.
Operation is subject to the following two conditions;
(1) This device may not cause harmful interference;
and (2) this device must accept any interference received,
including interference that may cause undesired operation.
MADE IN KOREA

SCALE : 2 / 1