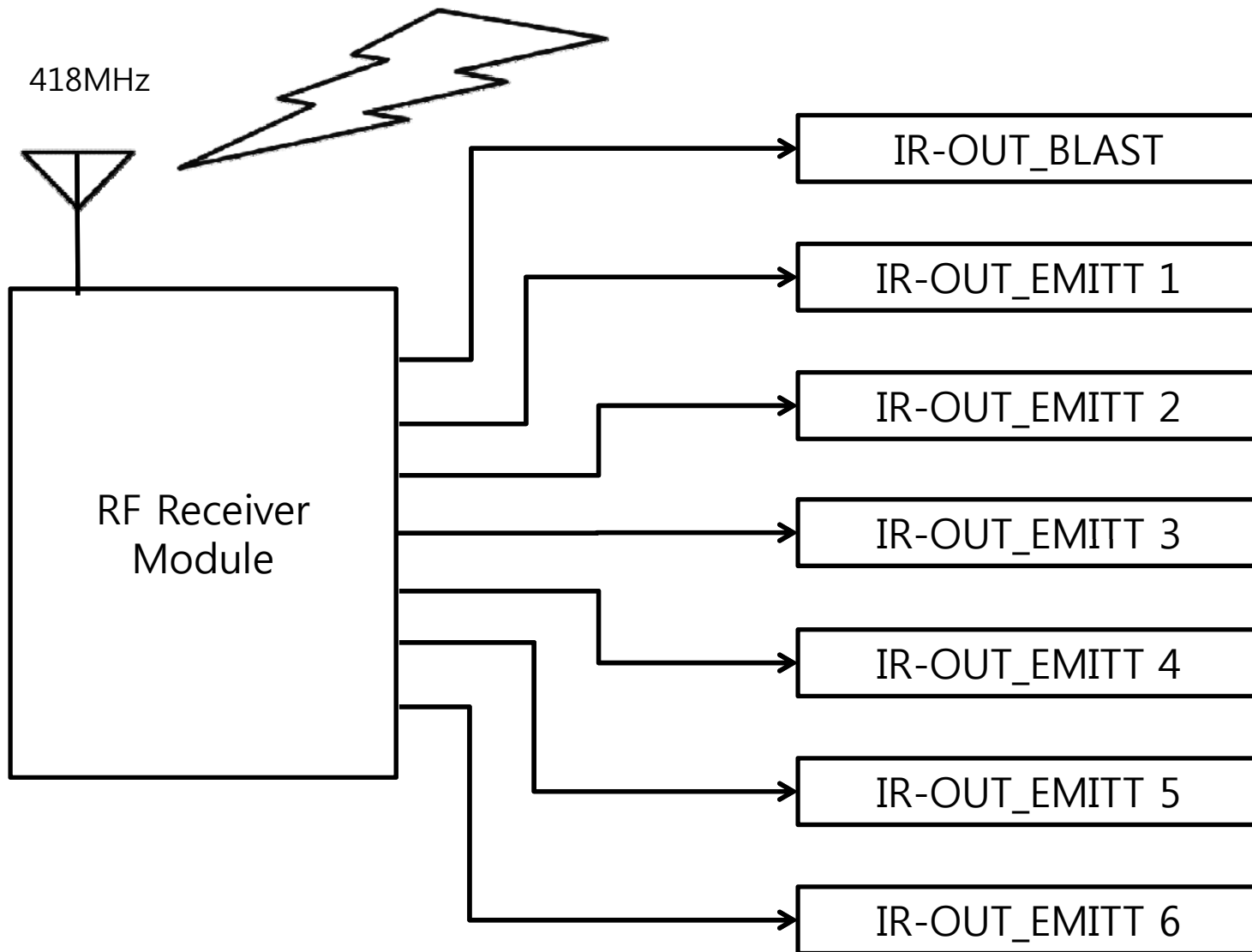
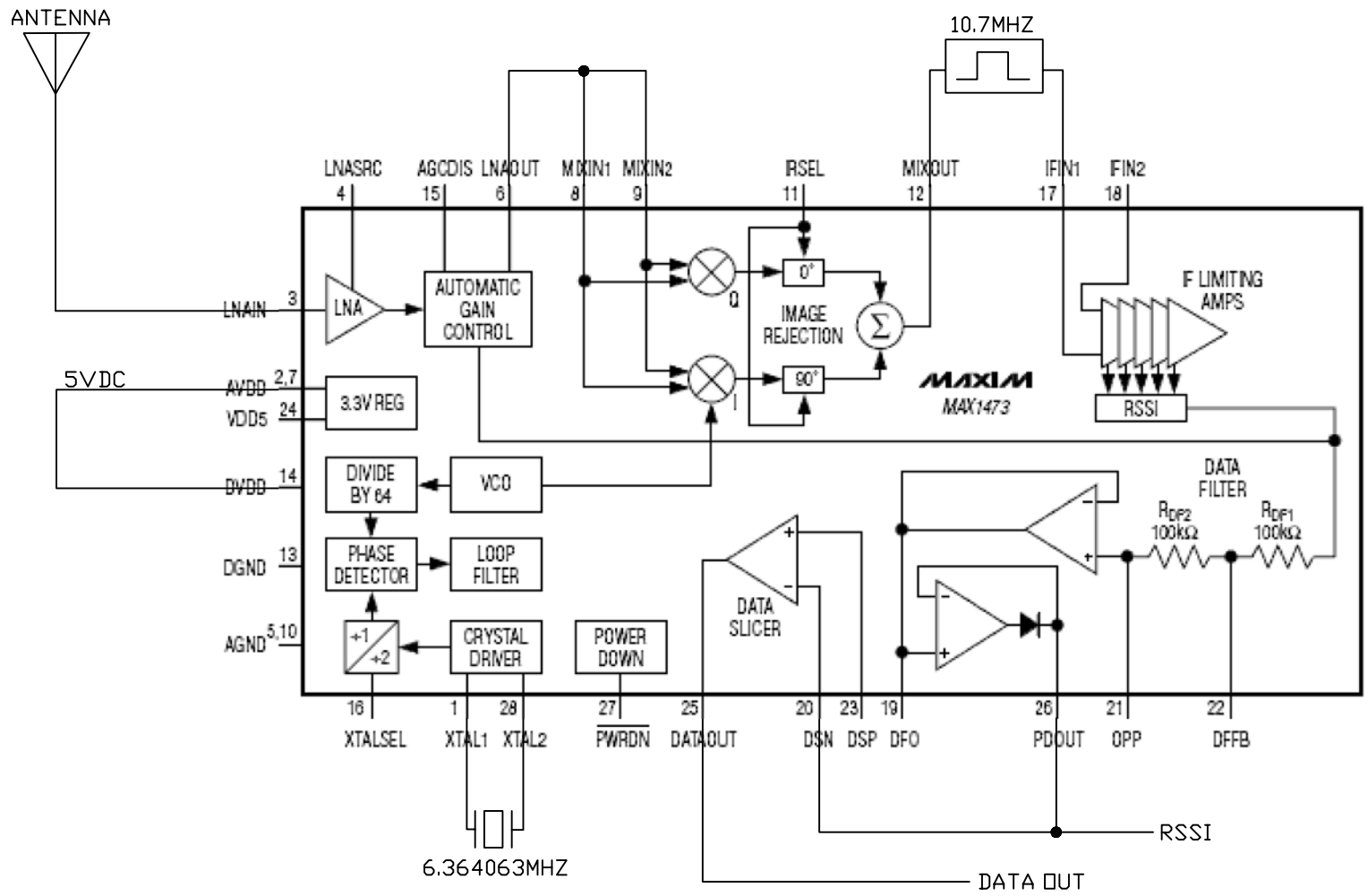


APPENDIX D
: BLOCK DIAGRAM



D	C	B	A	NO.	DESCRIPTION	PART NO.	MATERIAL	Q'TY	SURFACE TREATMENT	REMARK
					BLOCK DIAGRAM	MRF-150				



DATE	AUTHORIZED	CHANGED DETAILS	CHANGED BASIS
SCALE	NS	UNIT	M/M
Drafter	Checked	Approved	DESC-PTION
			P/NO.
OH SUNG ELECTRONICS CO., LTD.			REF. NO. STOCK NO.
DRAFT NO.			MRF-150

BLOCK DIAGRAM (RF RECEIVER MODULE)

ØTMF-A231 TYPE