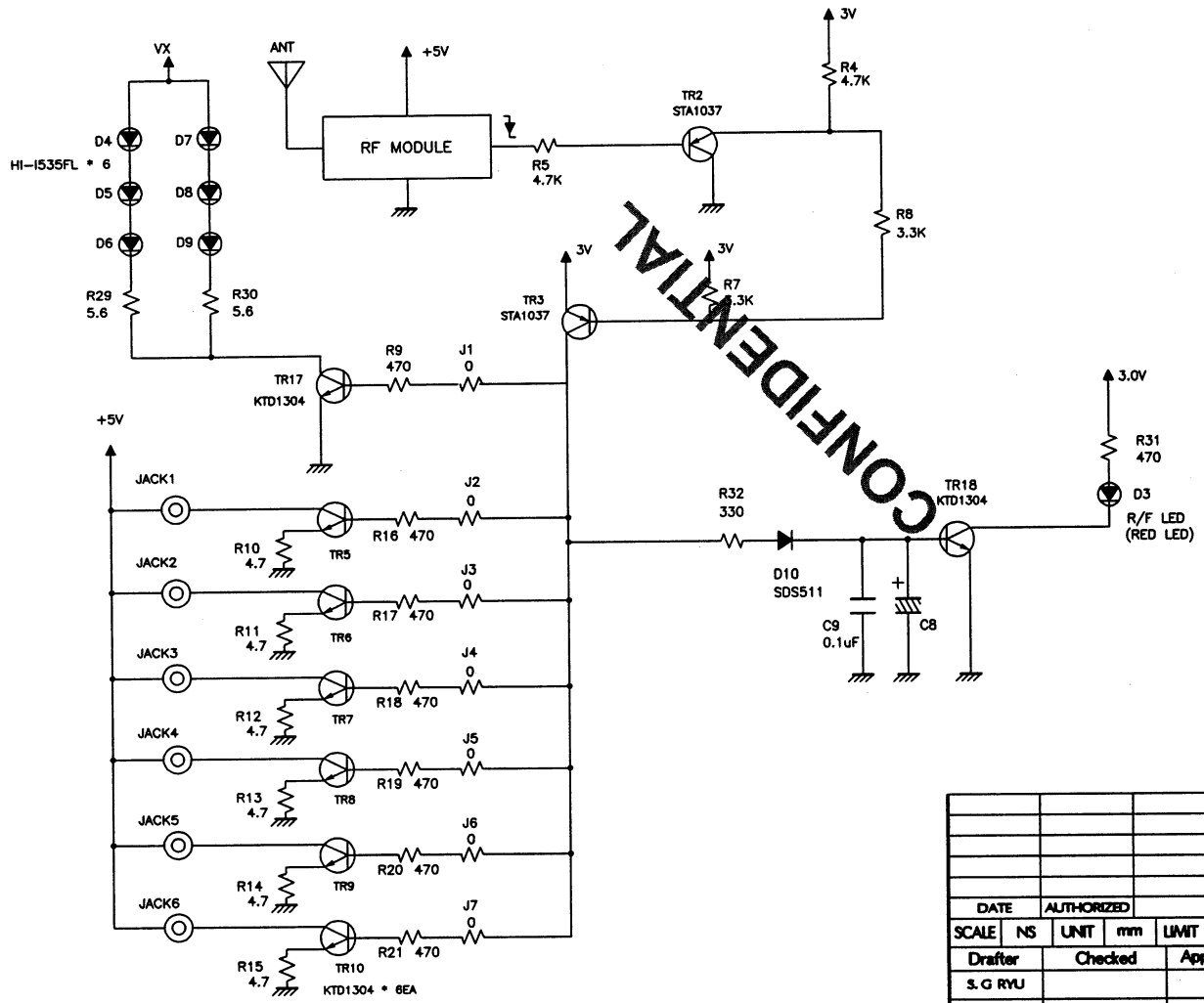
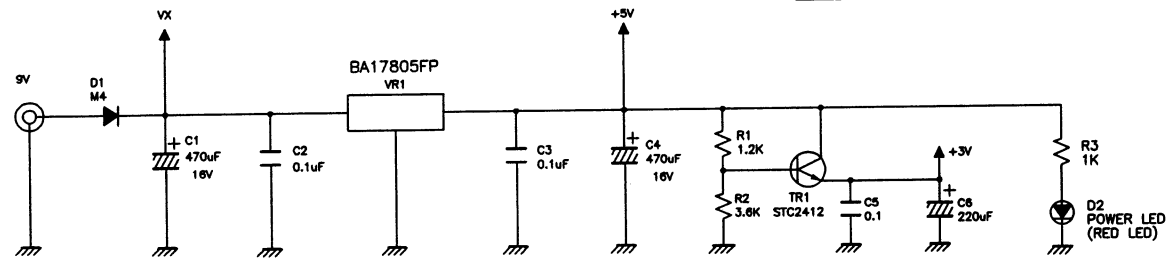


D	C	B	A	NO.	DESCRIPTION	PART NO.	MATERIAL	Q'TY	SURFACE TREATMENT	REMARK
					CIRCUIT DIAGRAM					



CONFIDENTIAL

DATE		AUTHORIZED		CHANGED DETAILS			CHANGED BASIS		
SCALE	NS	UNIT	mm	LIMIT	DESCRIPTION	CIRCUIT DIAGRAM			
Drafter	Checked	Approved		MODEL NAME					
S. G RYU					MRF-100				
OS. 10. 03					COMPO			P/NO.	
OH SUNG ELECTRONICS CO., LTD.					REF. NO.				
					STOCK NO.				

D	C	B	A	NO.	DESCRIPTION	PART NO.	MATERIAL	Q'TY	SURFACE TREATMENT	REMARKS
					CIRCUIT DIAGRAM					

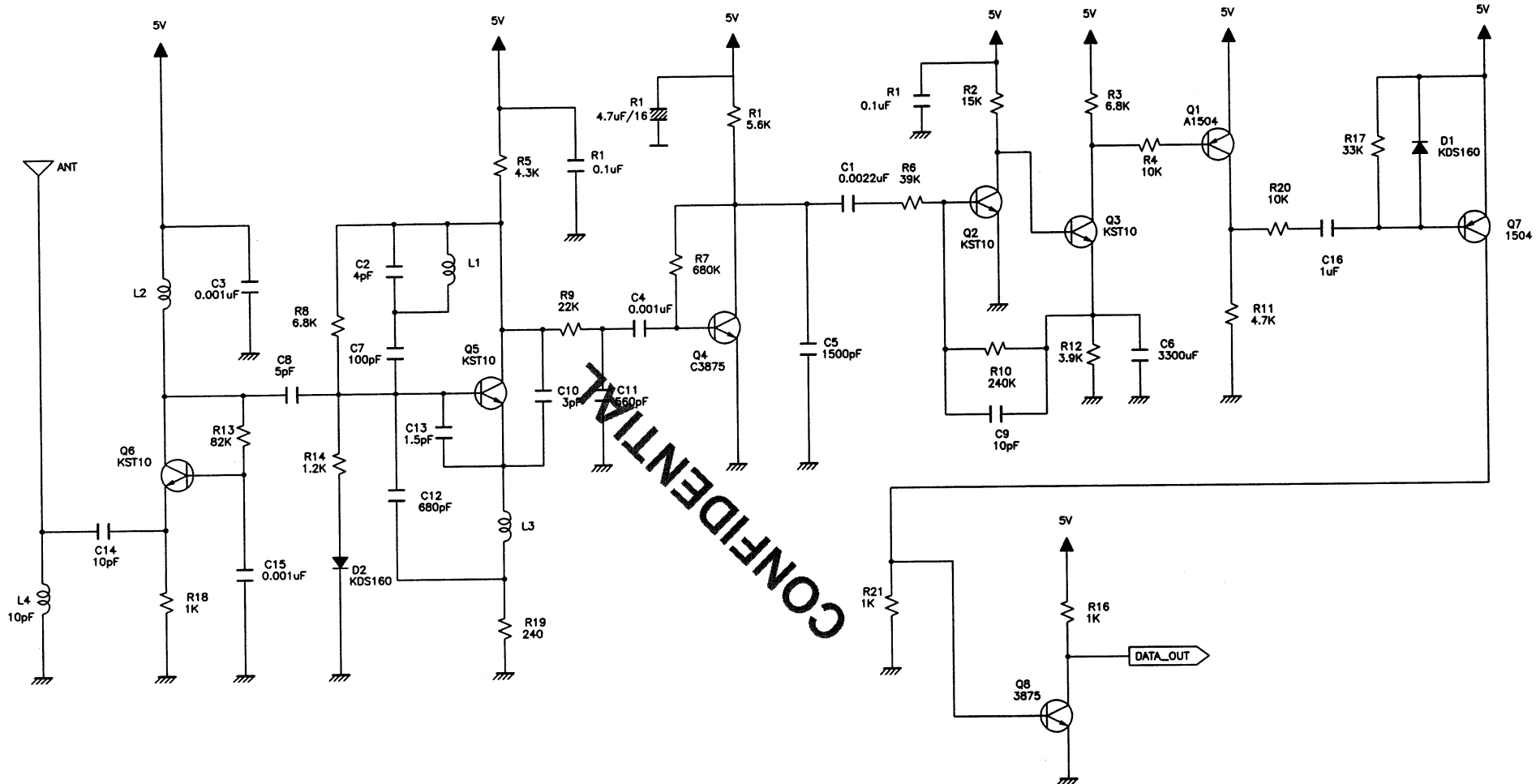
5

10

15

20

25



CONFIDENTIAL

DATE		AUTHORIZED		CHANGED DETAILS			CHANGED BASIS
SCALE	UNIT	mm	LIMIT	± 0.1	DESCRIPTION	CIRCUIT DIAGRAM	
Drafter	Checked	Approved					
S. G RYU						MRF-100 RECEIVER MODULE	
03.08.02						MODEL NAME	
OH SUNG ELECTRONICS CO., LTD.			REF. NO.	COMPO		P/NO.	
			STOCK NO.				