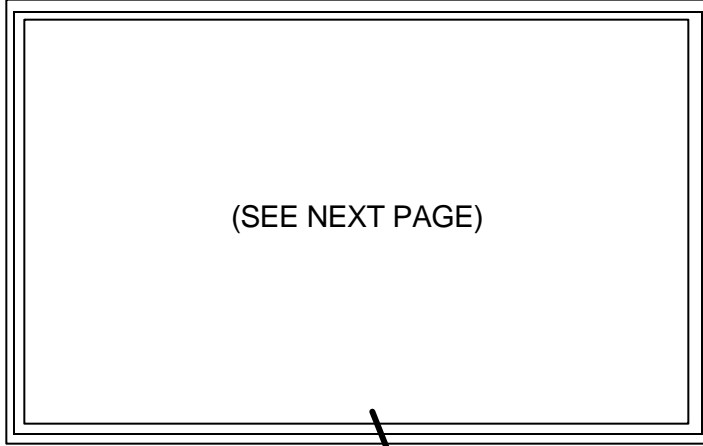


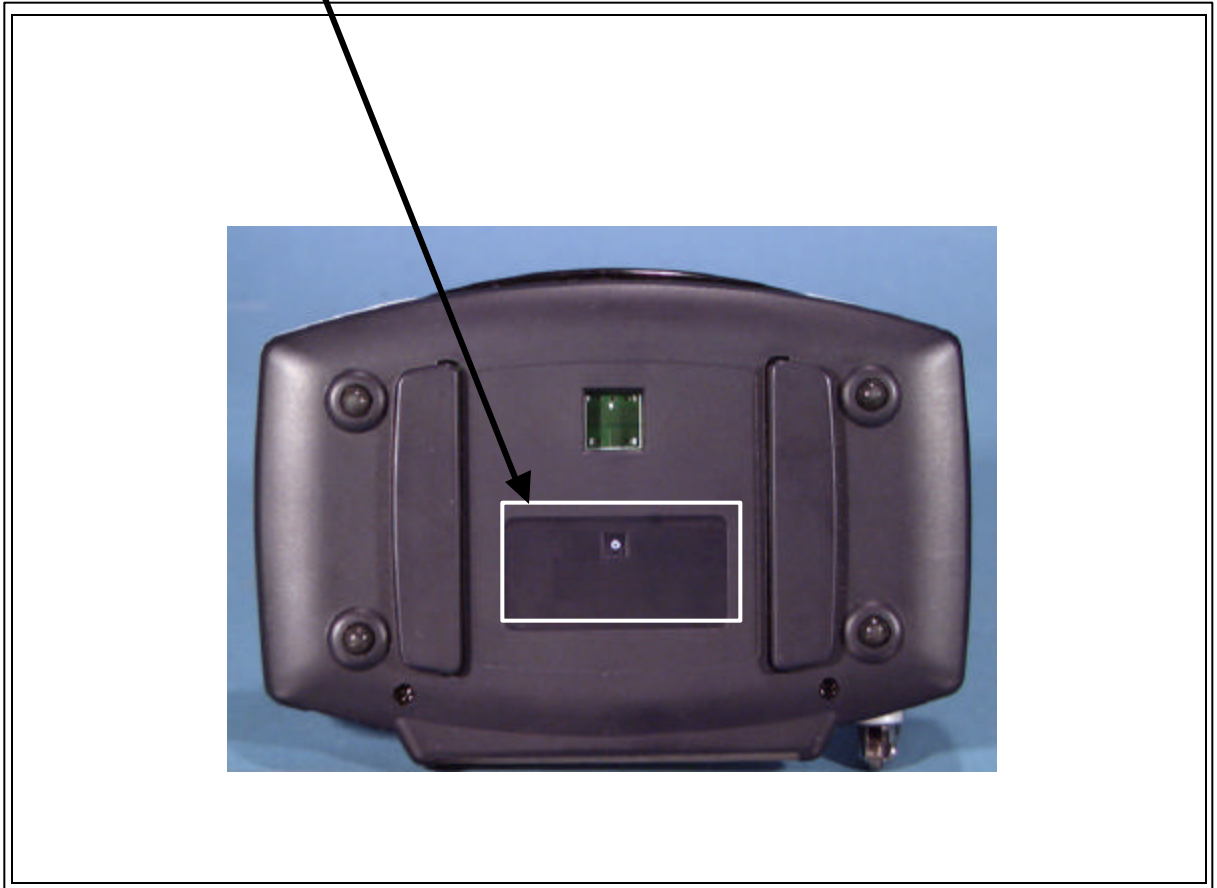
## FCC ID SAMPLE LABEL & LOCATION


---



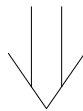
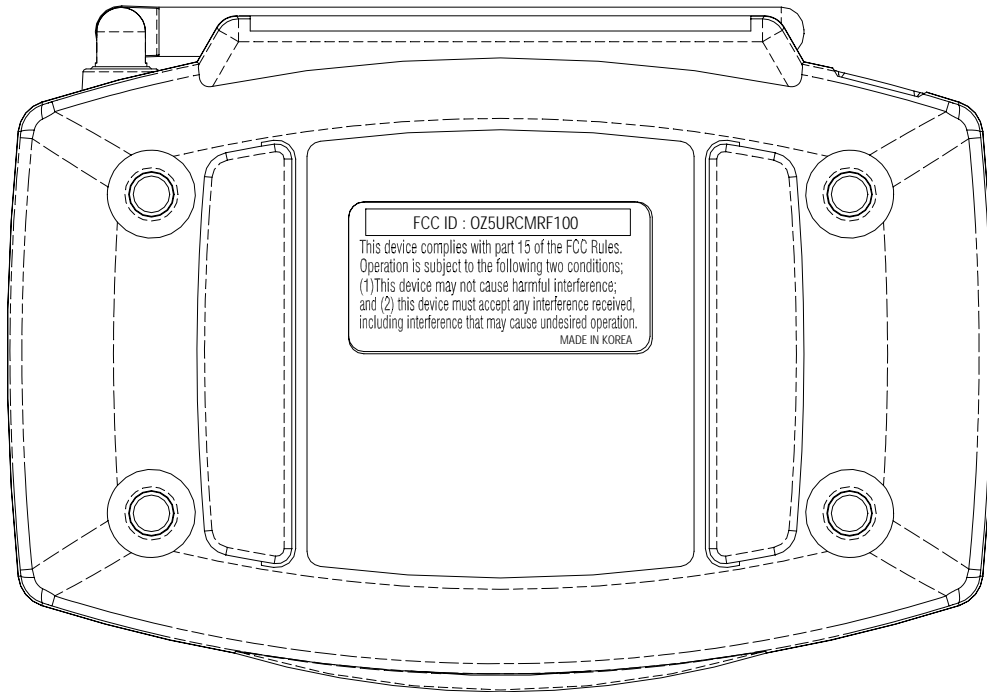
### **LABELLING REQUIREMENTS PER §§ 2.925 & §§ 15.19**

The Label shown shall be permanently affixed at a conspicuous location on the device and be readily visible to the user at the time of purchase.



PCTESTÔ PT. 15.231 REPORT		<b>FCC Certification</b>		Reviewed By: Quality Manager
Test Report S/N: TX.230328163.OZ5	Test Dates: APRIL 4, 2003	EUT Type: OHSUNG Remote Control Receiver – Superregenerative	FCC ID: OZ5URCMRF100	Page 1 of 1

# MRF-100



FCC ID : OZ5URCMRF100

This device complies with part 15 of the FCC Rules.  
Operation is subject to the following two conditions;  
(1) This device may not cause harmful interference;  
and (2) this device must accept any interference received,  
including interference that may cause undesired operation.  
MADE IN KOREA

SCALE : 2 / 1