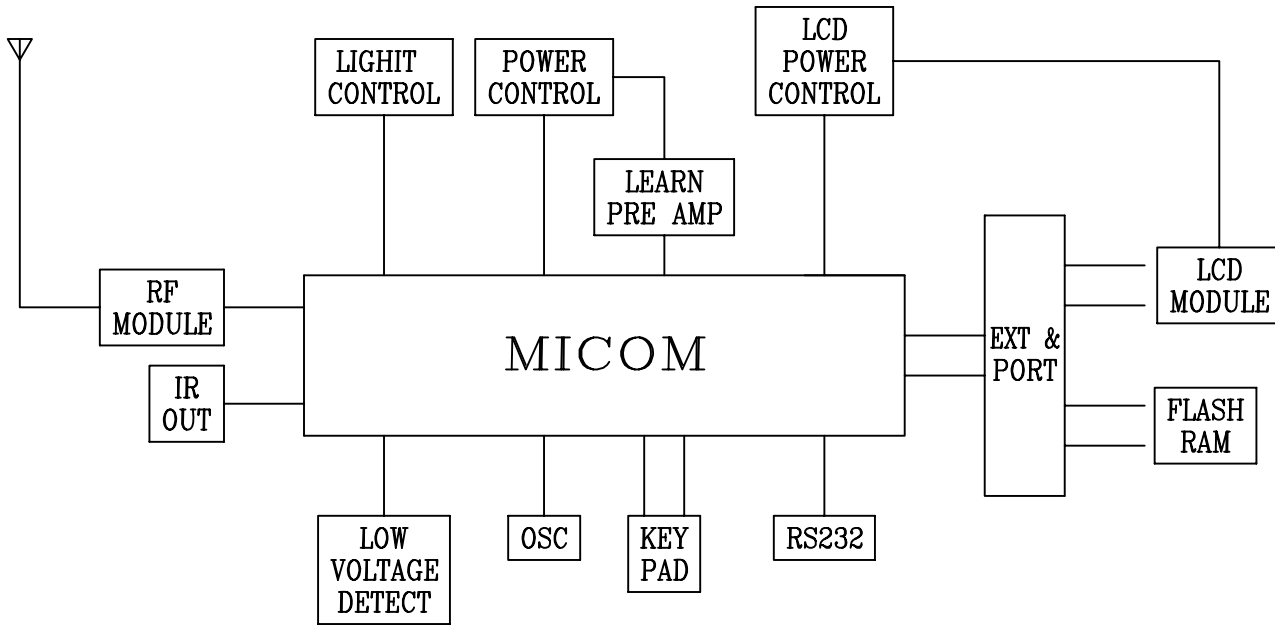


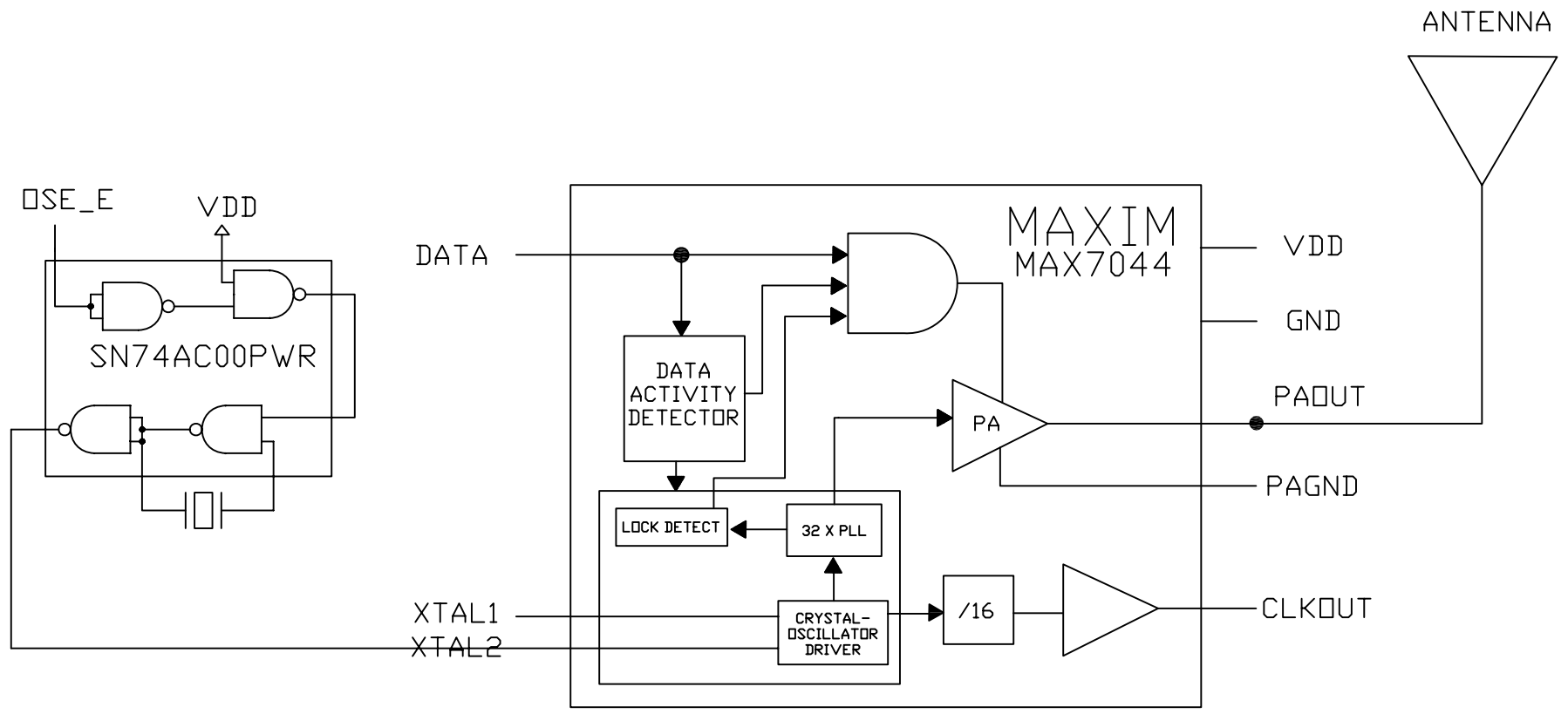
APPENDIX D
: BLOCK DIAGRAM(S)

D	C	B	A	NO.	DESCRIPTION	PART NO.	MATERIAL	Q'TY	SURFACE TREATMENT	REMARK
					BLOCK DIAGRAM	ML-600				



DATE		AUTHORIZED		CHANGED DETAILS		CHANGED BASIS	
SCALE	NS	UNIT	MM	LIMIT	DISCRIPTION	BLOCK DIAGRAM (HW BLOCK)	
Drafter	Checked	Approved			P/NO.	ØTMF-A416 TYPE	
OH SING ELECTRONICS CO., LTD.				REF. NO.	STOCK NO.	DRAFT NO.	ML-600

D	C	B	A	NO.	DESCRIPTION	PART NO.	MATERIAL	Q'TY	SURFACE TREATMENT	REMARK
					BLOCK DIAGRAM	ML-600				



DATE	AUTHORIZED	CHANGED DETAILS			CHANGED BASIS	
SCALE	NS	UNIT	MM	LIMIT	DESC-PTION	BLOCK DIAGRAM (RF MODULE)
Drafter	Checked	Approved			P/NO.	ØTMF-A416 TYPE
OH SUNG ELECTRONICS CO., LTD.					REF. NO.	DRAFT NO.
					STOCK NO.	ML-600