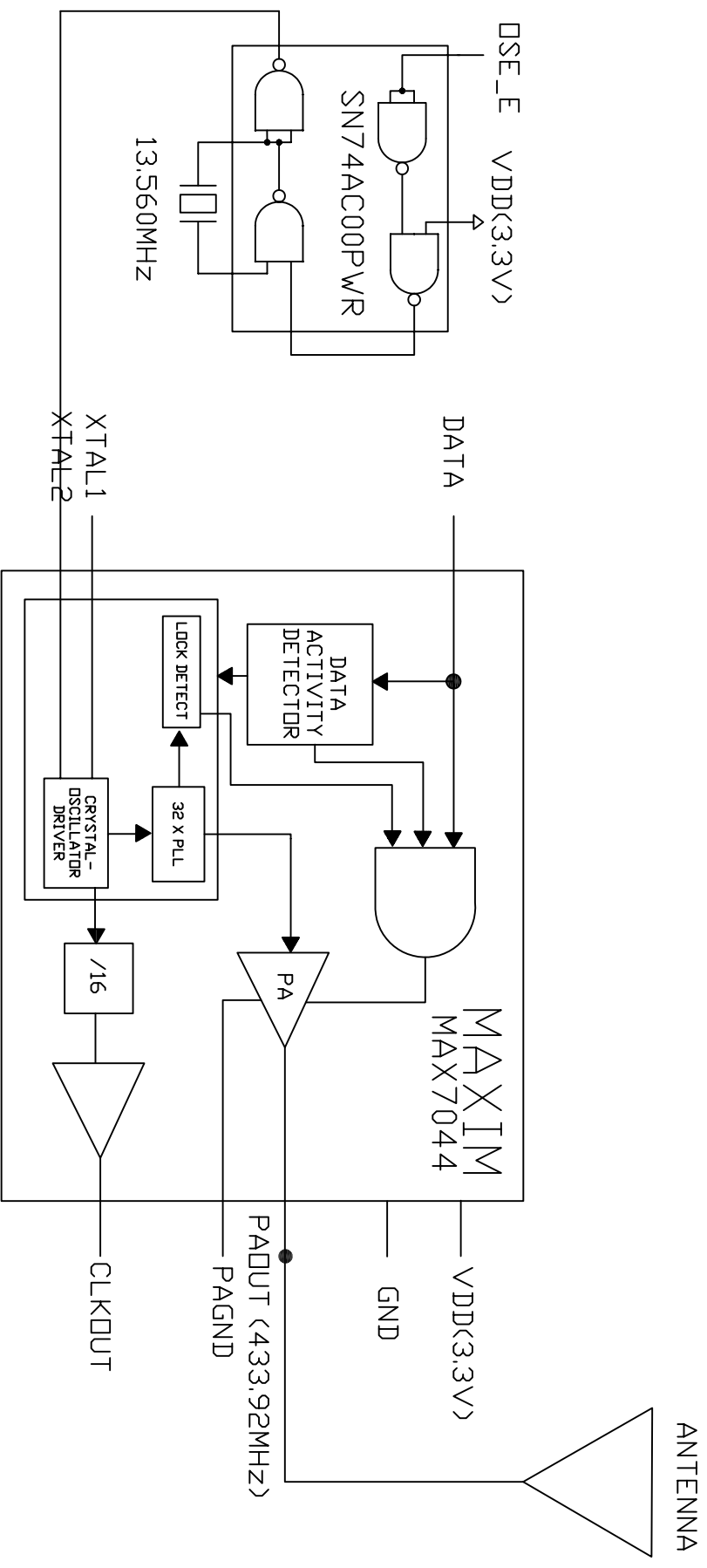


APPENDIX D  
: BLOCK DIAGRAM

D	C	B	A	NO.	DESCRIPTION	PART NO.	MATERIAL	Q'TY	SURFACE TREATMENT	REMARK
					BLOCK DIAGRAM	KP-900i				



DATE				AUTHORIZED				CHANGED DETAILS				CHANGED BASIS			
SCALE	NS	UNT	MM	UNT	MM	UNT	MM	DESC. REVISION	DATE	BY	REASON	DATE	BY	REASON	
Drafter		Checked		Approved											
								BLOCK DIAGRAM (RF MODULE)							
								φTMF-A730 TYPE							
								KP-900i							



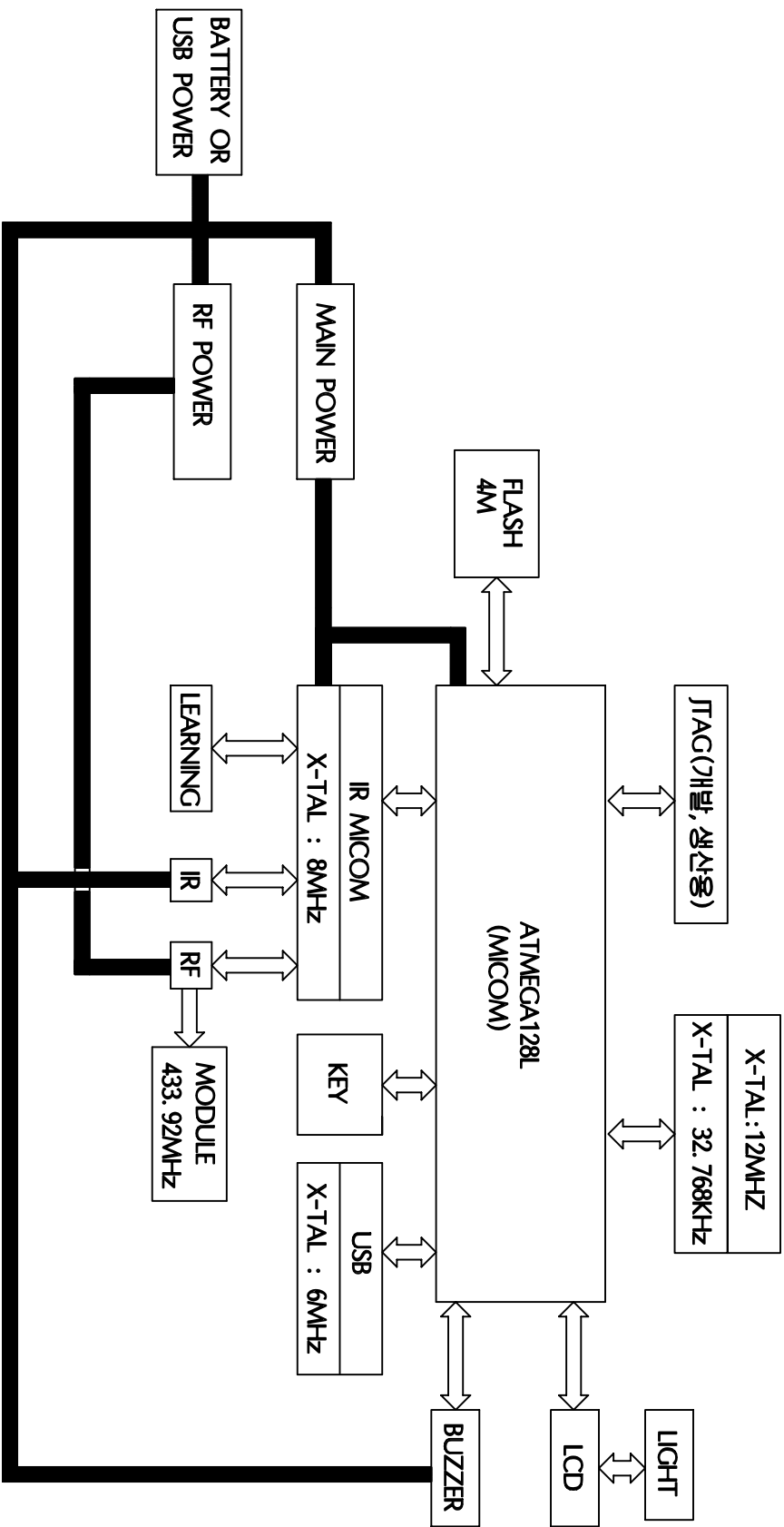
OH SANG ELECTRONICS CO., LTD.

REF. NO. STOCK NO.

DRAFT NO.

KP-900i

D	C	B	A	NO.	DESCRIPTION	PART NO.	MATERIAL	Q'TY	SURFACE TREATMENT	REMARK
					BLOCK DIAGRAM	KP-900i				



DATE				AUTHORIZED				CHANGED DETAILS				CHANGED BASIS			
SCALE	NS	UNIT	MM	UNIT	MM	UNIT	MM	DESC- REASON	DATE	BY	DATE	BY	DATE	BY	
Drawer		Checked		Approved											
BLOCK DIAGRAM (HW BLOCK)												φTMMF-A730 TYPE			
OH SANG BEHNOONS CO., LTD.												KP-900i			