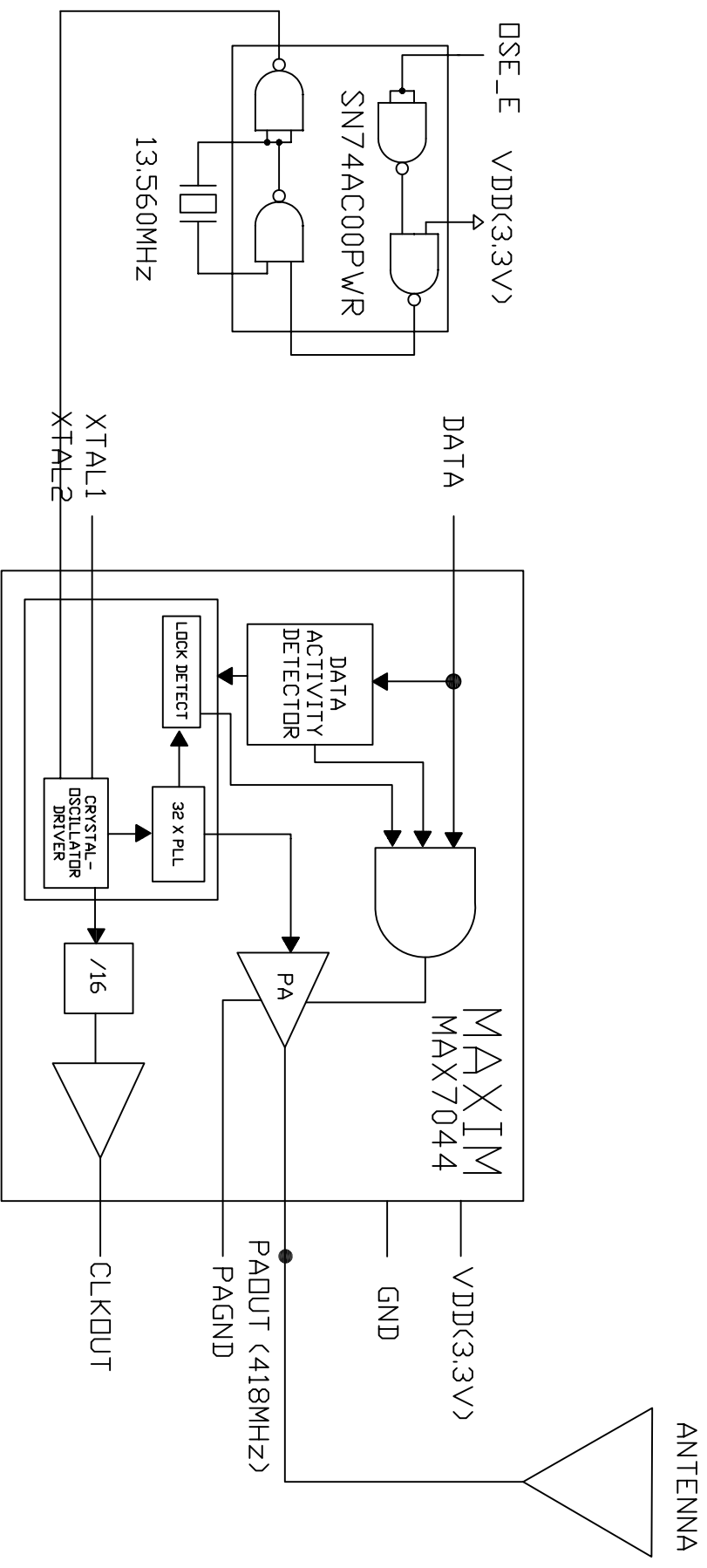


APPENDIX D  
: BLOCK DIAGRAM

D	C	B	A	NO.	DESCRIPTION	PART NO.	MATERIAL	Q'TY	SURFACE TREATMENT	REMARK
					BLOCK DIAGRAM	KP-900				



DATE				AUTHORIZED				CHANGED DETAILS				CHANGED BASIS					
SCALE	NS	UNT	MM	UNT	MM	UNT	MM	DATE	NS	UNT	MM	UNT	MM	DATE	NS	UNT	MM
1:1				Checked													
Drafter												Approved					
BLOCK DIAGRAM (RF MODULE)												P/NO.					
φTMF-A730 TYPE																	
QI SANG ELECTRONICS CO., LTD.												REF. NO.					
A3(420X297)												STOCK NO.					
												DRAFT NO.					
												KP-900					

25

20

15

10

5

5

10

15

20

25

30

35