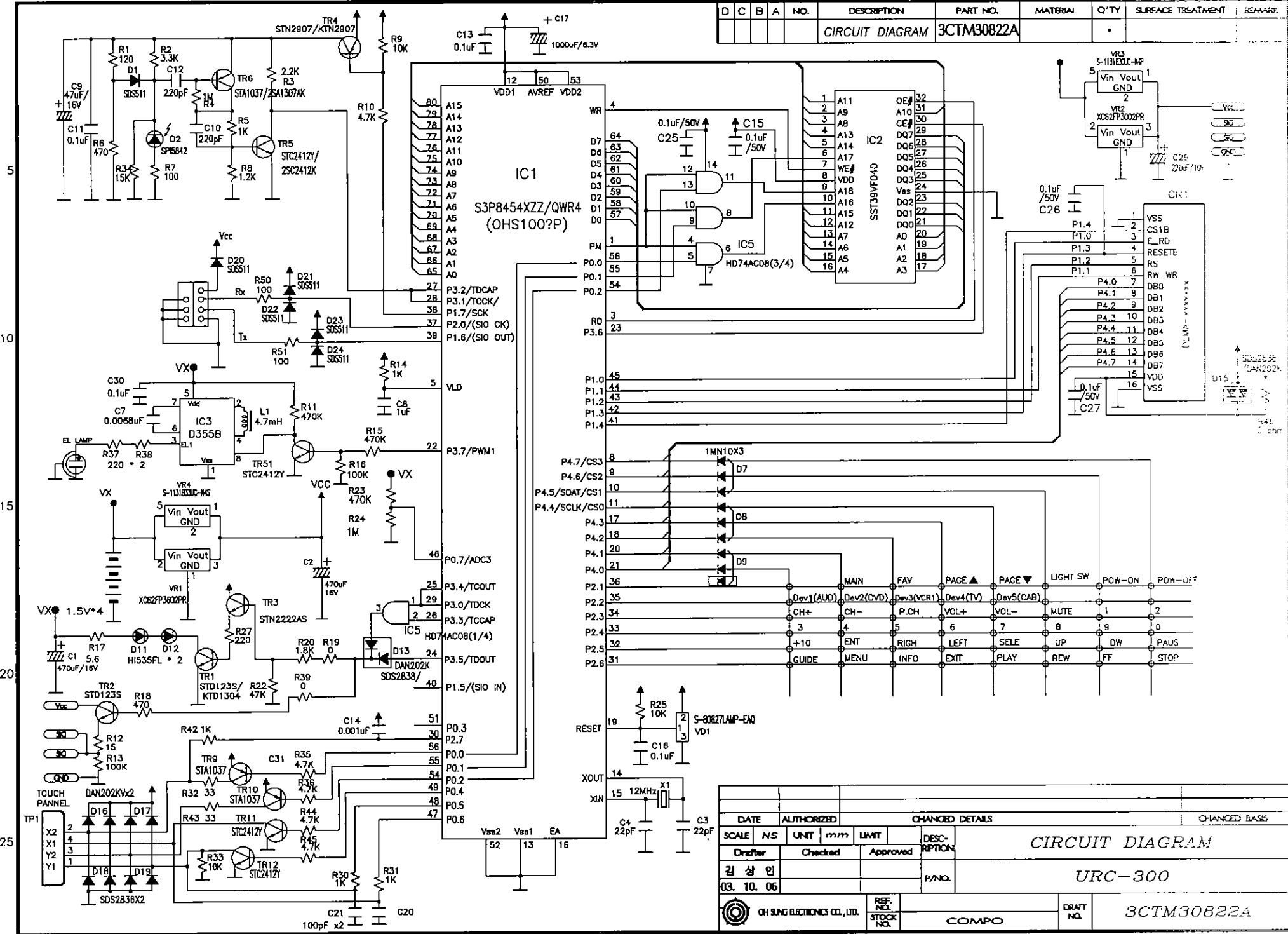


D	C	B	A	NO.	DESCRIPTION	PART NO.	MATERIAL	Q'TY	SURFACE TREATMENT	REMARKS
					CIRCUIT DIAGRAM	3CTM30822A				



DATE	AUTHORIZED	CHANGED DETAILS			CHANGED BASIS
SCALE	NS	UNIT	mm	LIMIT	DESCRIPTION
10.06	김상민	Checked	Approved		P/NO.
OH SUNG ELECTRONICS CO., LTD.					COMPO
DRAFT NO.					3CTM30822A