

## APPENDIX J

: INFORMATION OF CLASS II PERMISSIVE CHANGE

**Information of Class II Permissive Change**

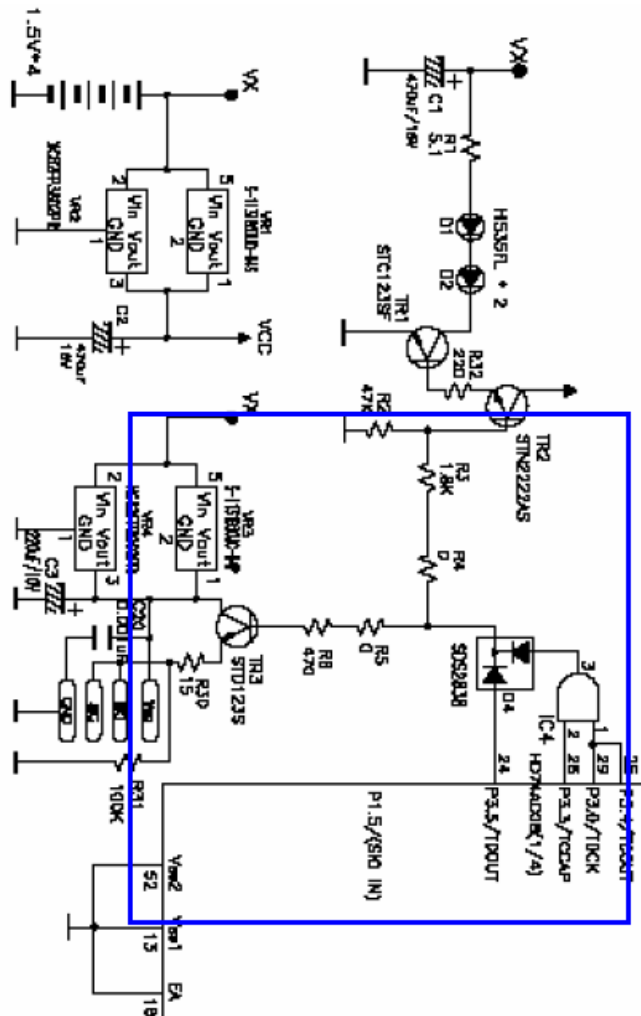
This information is to show compliance with FCC regulation Sec. 2.1043 and to be treated as Class II permissive change.

**1. Identification of apparatus**

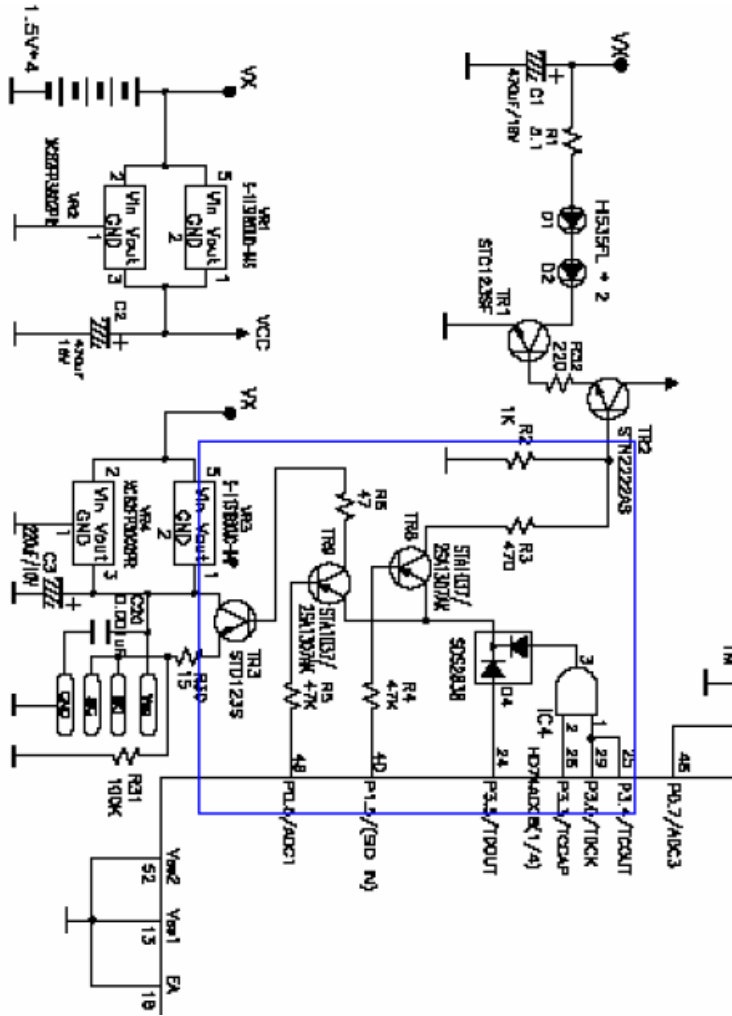
EUT Type: RF Transmitter Universal Remote Control  
 Model No.: MX-350  
 FCC ID.: OZ5URC200  
 Applicant: OHSUNG ELECTRONICS CO.,LTD  
 Trade Name: Universal Remote Control

**2. Contents of change(s)**

- 1) Added a current stabilization circuit

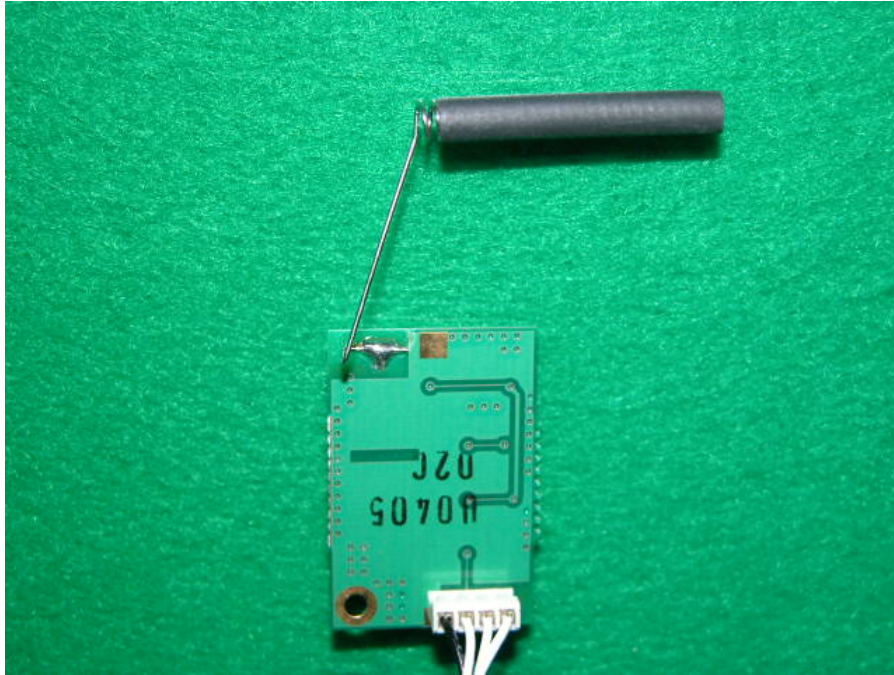


< Before >

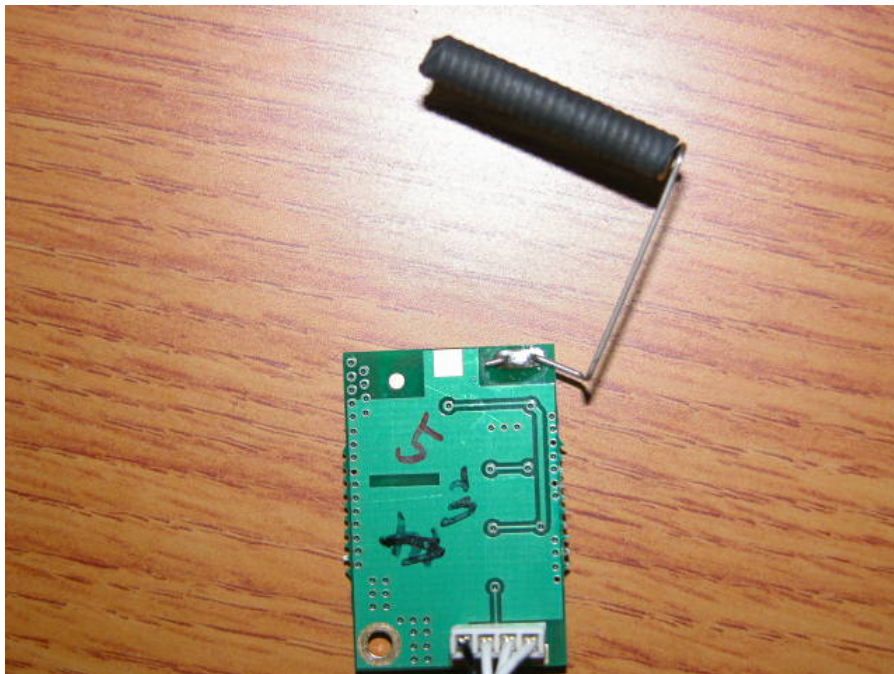


< After >

2. Changed the shape and the location of internal antenna



<Before >



<After >