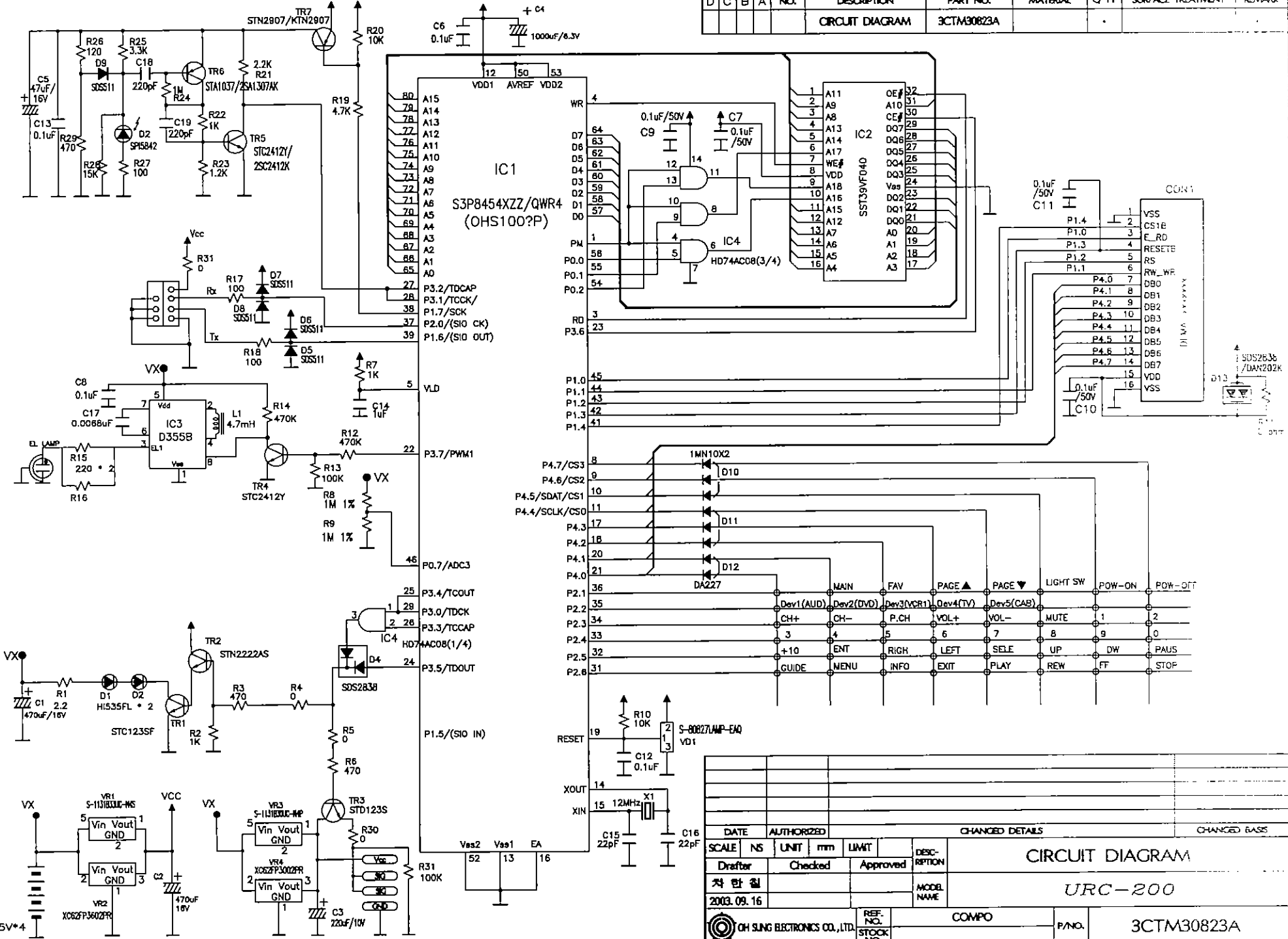


D	C	B	A	NO.	DESCRIPTION	PART NO.	MATERIAL	Q'TY	SURFACE TREATMENT	REMARKS
					CIRCUIT DIAGRAM	3CTM30823A				



DATE		AUTHORIZED		CHANGED DETAILS				CHANGED BASIS	
SCALE	NS	UNIT	mm	LIMIT	DESCRIPTION	CIRCUIT DIAGRAM			
Drafter	Checked	Approved		MODEL NAME		URC-200			
2003.09.16				COMPO		P/NO.		3CTM30823A	
OH SUNG ELECTRONICS CO., LTD.				REF. NO. STOCK NO.		COMPO		P/NO.	