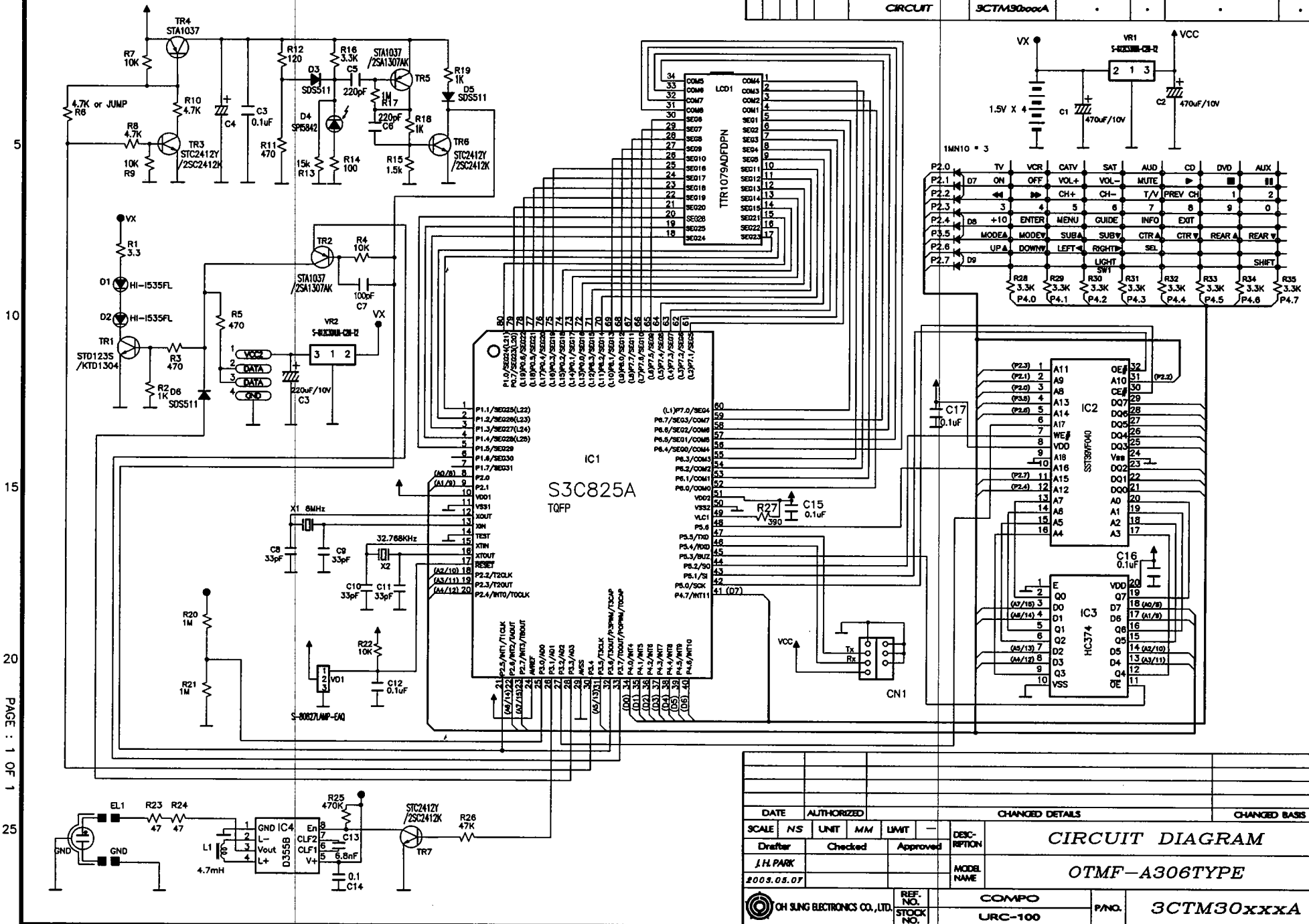
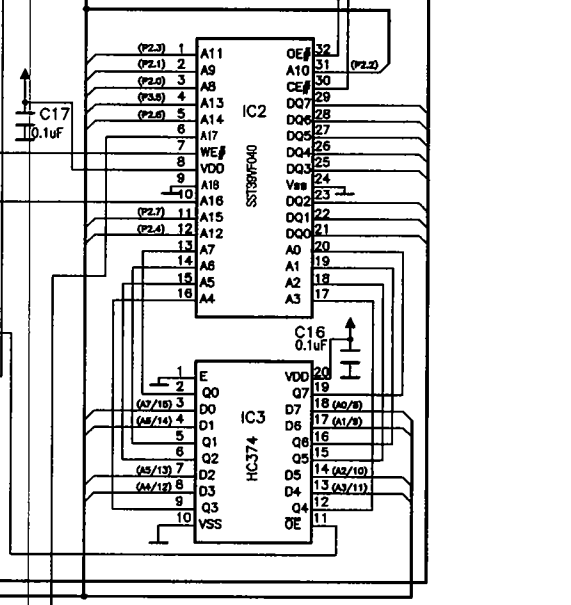


D	C	B	A	NO.	DESCRIPTION	PART NO.	MATERIAL	Q'TY	SURFACE TREATMENT	REMARK
					CIRCUIT	3CTM30xxxA



P2.0	TV	VCR	CATV	SAT	AUD	CD	DVD	AUX
P2.1	ON	OFF	VOL+	VOL-	MUTE	▶	■	■
P2.2	◀	▶	CH+	CH-	T/V	PREV	CH	1 2
P2.3	3	4	5	6	7	8	9	0
P2.4	DB	+10	ENTER	MENU	GUIDE	INFO	EXIT	
P2.5	MODEA	MODEV	SUBA	SUBV	CTR A	CTR V	REAR A	REAR V
P2.6	UP A	DOWN	LEFT	RIGHT	SEL			
P2.7	D9		LIGHT	SWT				SHIFT



DATE	AUTHORIZED	CHANGED DETAILS		CHANGED BASIS
SCALE	NS	UNIT	MM	LIMIT
Drafter	Checked	Approved	DESCRIPTION	
J.H. PARK			CIRCUIT DIAGRAM	
2009.08.07			MODEL NAME	
			OTMF-A306TYPE	
OH SUNG ELECTRONICS CO., LTD.		REF. NO.	COMPO	P/NO.
		STOCK NO.	URC-100	3CTM30xxxA

5
10
15
20
25
PAGE : 1 OF 1