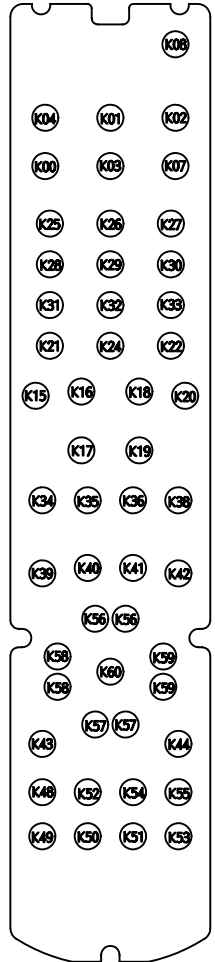
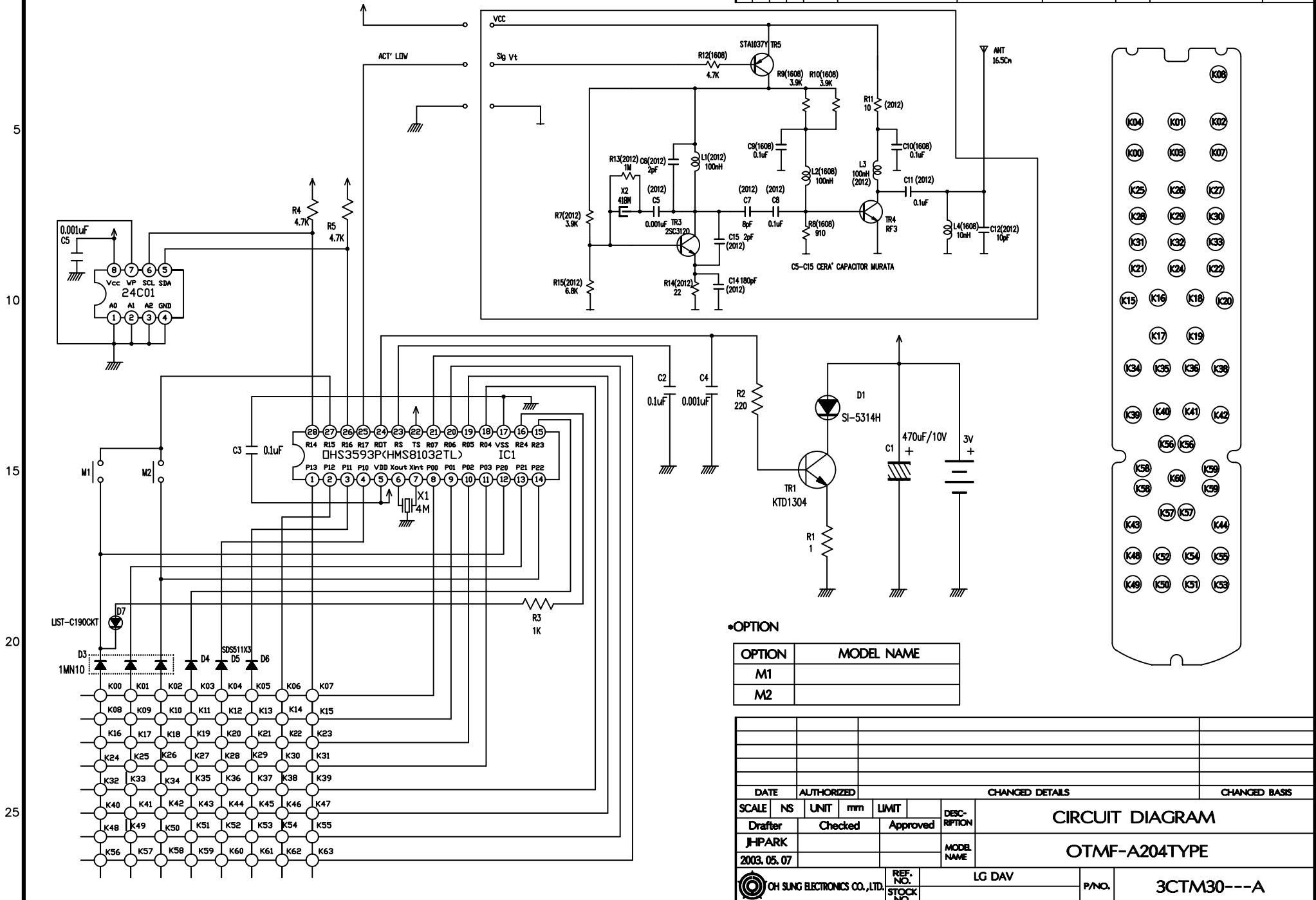


D	C	B	A	NO.	DESCRIPTION	PART NO.	MATERIAL	Q'TY	SURFACE TREATMENT	REMARK
					CIRCUIT DIAGRAM	3CTM30---A		.		.



•OPTION

OPTION	MODEL NAME
M1	
M2	

DATE		AUTHORIZED		CHANGED DETAILS		CHANGED BASIS	
SCALE	NS	UNIT	mm	LIMIT	DESCRPTION	CIRCUIT DIAGRAM	
Drafter	Checked	Approved		MODEL NAME	OTMF-A204TYPE		
2003.05.07				LG DAV	P/NO.	3CTM30---A	
OH SUNG ELECTRONICS CO., LTD.				REF. NO.			
				STOCK NO.			