

5

10

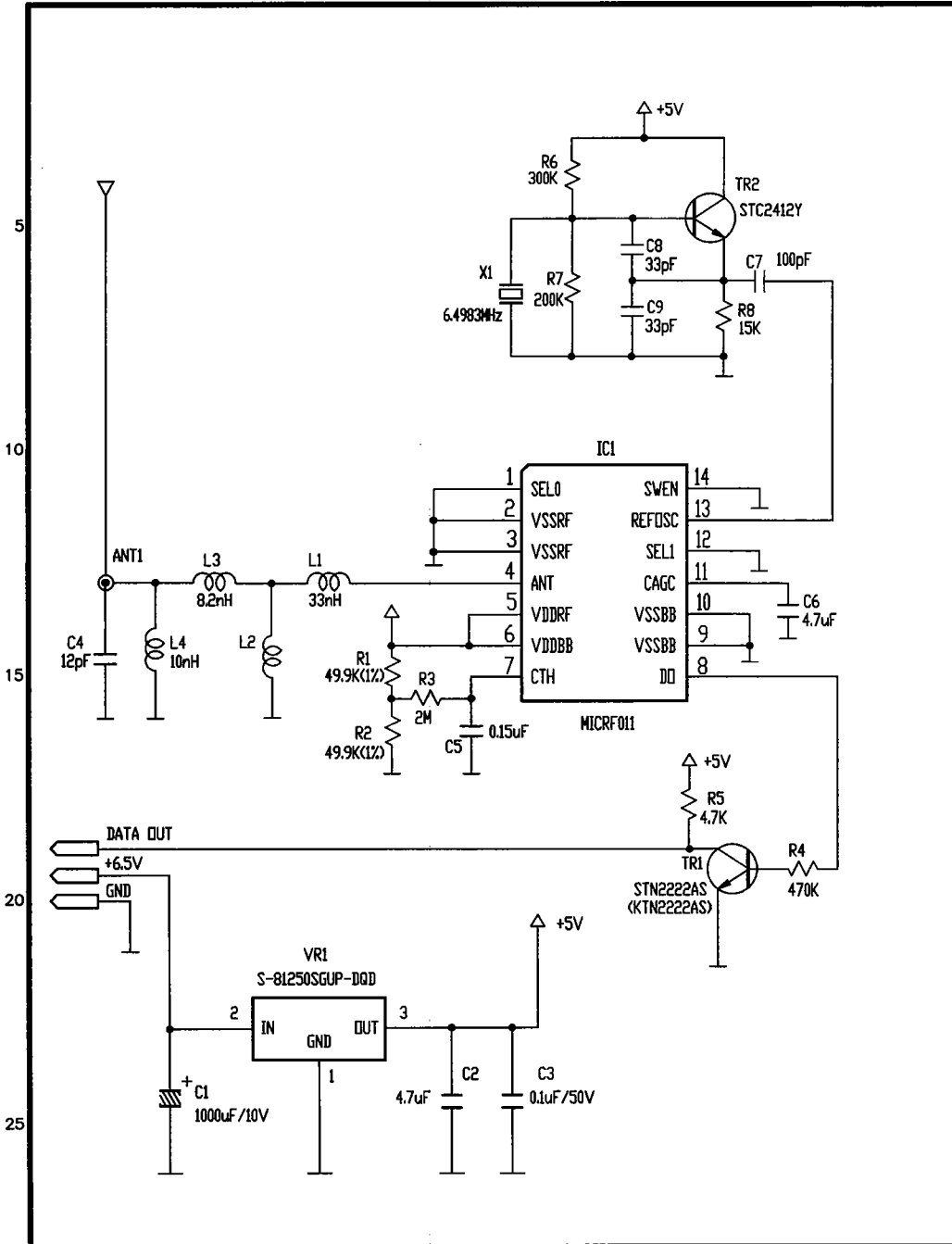
15

20

25

30

35



D	C	B	A	NO.	DESCRIPTION	PART NO.	MATERIAL	Q'TY	SURFACE TREATMENT	REMARK	
					CIRCUIT DIAGRAM						

L No	Description	Part Number	MAKER
IC 1	UHF OOK/ASK Receiver IC	MICRF 011	Micel
VR 1	VOLTAGE REGULATOR 5.0V	S-81250SGUP-DQD	Selko
TR 1	TR	STN 2222AS	ALUK
TR 2	TR	STC 2412Y	ALUK
X 1	CRYSTAL 6.4983MHz	6.4983MHz	CQ
C 1	ELEC' CAPACITOR 1000uF/10V	1000uF/10V	
L 1	Inductor, High Q, 33nH, 2012	LQN21A33NJ04	Murata
L 2	-	-	-
L 3	Inductor, High Q, 8.2nH, 2012	LQN21A8N2D04	Murata
L 4	Inductor, High Q, 10nH, 2012	LQN21A10NJ04	Murata
C 6	Ceramin Capacitor, 4.7uF X5R, 3216	GRM42-6XSR475K10	Murata
C 2	Ceramin Capacitor, 4.7uF Y5V, 3216	GRM42-6Y5V475Z16	Murata
C 5	Ceramin Capacitor, 0.15uF K, 2012	CEEMK2128J154KG-T	TAYO YUDEN
C 4	Ceramin Capacitor, 12pF J, 2012	GRM2165C1H120JA01D	Murata
C 7	Ceramin Capacitor, 100pF J, 2012	GRM2165C1H101JA01D	Murata
C 8	Ceramin Capacitor, 33pF J, 2012	GRM2165C1H330JA01D	Murata
C 9	Ceramin Capacitor, 33pF J, 2012	GRM2165C1H330JA01D	Murata
C 3	Ceramin Capacitor, 0.1uF J, 2012	GRM2165F51E104ZA01D	Murata
R 1	Resistor, 49.9K, K, 2012	RD-	ROHM
R 2	Resistor, 49.9K, K, 2012	RD-	ROHM
R 3	Resistor, 2.0M, Z, 2012	RD-	ROHM
R 4	Resistor, 470K, Z, 2012	RD-	ROHM
R 5	Resistor, 4.7K, Z, 2012	RD-	ROHM
R 6	Resistor, 300K, Z, 2012	RD-	ROHM
R 7	Resistor, 200K, Z, 2012	RD-	ROHM
R 8	Resistor, 15K, Z, 2012	RD-	ROHM
J P 1	Resistor, 0, 2012	RD-	ROHM
J P 2	Resistor, 0, 2012	RD-	ROHM
J P 3	Resistor, 0, 2012	RD-	ROHM

DATE	AUTHORIZED	CHANGED DETAILS	CHANGED BASIS
SCALE	NS	UNIT	MM
Drafter	Checked	Approved	DESCRIPTION
JH Park			P/NO.
06.06.03			
OH SING ELECTRONICS CO., LTD.		REF. NO.	STOCK NO.
		LQ DAV	DRAFT NO.