

5

10

15

20

25

30

35

D	C	B	A	NO.	DESCRIPTION	PART NO.	MATERIAL	Q'TY	SURFACE TREATMENT	REMARK
					BLOCK DIAGRAM			.		.

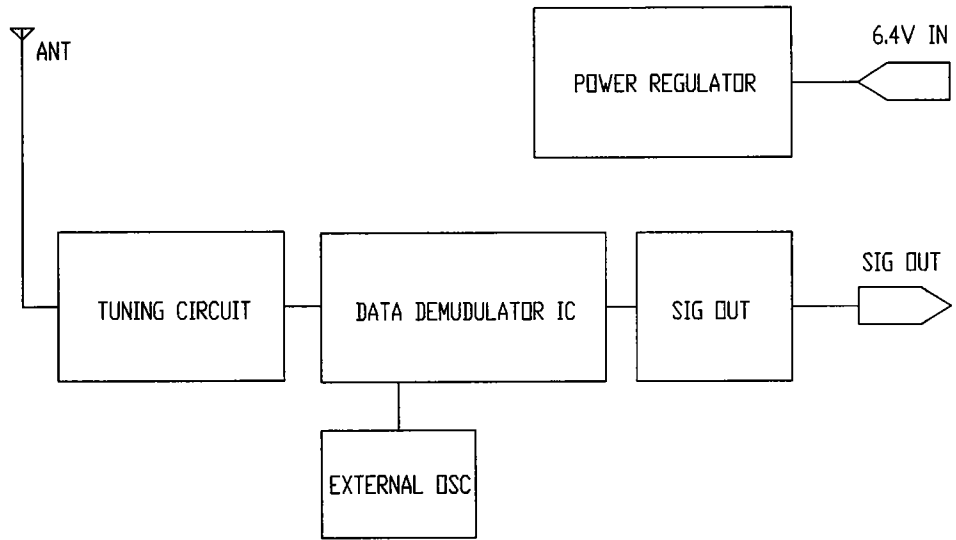
5

10

15

20

25



DATE	AUTHORIZED	CHANGED DETAILS				CHANGED BASIS
SCALE	UNIT	mm	LIMIT	± 0.1	DESCRIPTION	BLOCK DIAGRAM
Drafter	Checked	Approved				
S. G RYU						
05. 15. 03					MODEL NAME	6711R1N137A
OH SUNG ELECTRONICS CO., LTD.		REF. NO.	LG DAV		P/NO.	
		STOCK NO.				