



## APPENDIX B

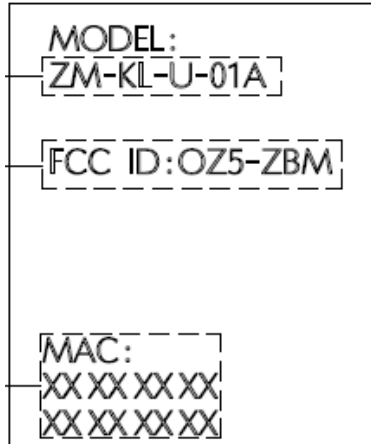
### : ID SAMPLE LABEL & LOCATION



### LABELLING REQUIREMENTS

The label shown shall be permanently affixed at a conspicuous location on the device and be readily visible to the user at the time of purchase.

#### ■ ID Label



#### ■ ID Label Location of EUT

LABEL POINT

