

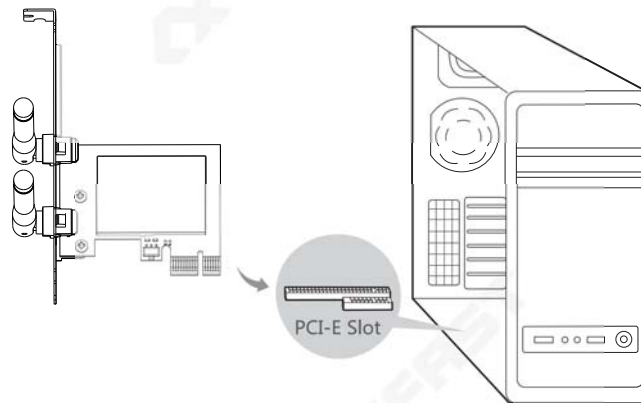


Quick Installation Guide



Realtek Driver Installation
M0304324 Version1.0

1 Hardware Installation



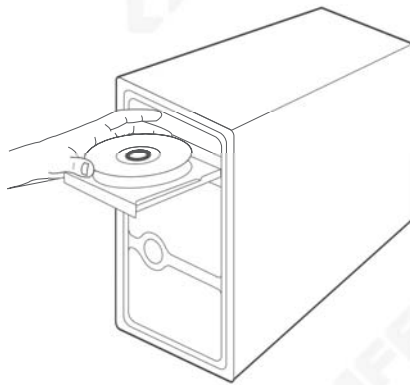
1. Turn off the desktop PC and disconnect the power.
2. Open the main chassis, select an empty PCI-E slot on the motherboard, and remove the corresponding slot on the rear panel of the PC.
3. Insert the PCI-E NIC into the selected PCI-E slot and verify that all NIC pins are in contact with the slot; then secure the NIC to the chassis with screws; finally close the chassis
4. Plug in the PC again and turn on the PC.

Supported Operating Systems:

- Support for Windows 7/8.1/10 operating system
- Does not support Windows XP/8, MAC OS operating system

2 Driver Installation

1. Put the CD driver into the computer drive.



2. Double-click the drive letter, open the corresponding driver folder, double-click "Setup.exe" to run the installer, you can complete the installation. (Note: If the installation file is a compressed package, you need to extract it to install it)



Maintenance Regulations

Dear Valued Clients,

Thank you for purchasing **COMFAST** products. To protect your rights and interests in after-sales service, please read the following maintenance regulations.

The following does not belong to free maintenance, our company can provide paid service, please note:

- Failure to require the installation manual, use, maintenance, storage led to product failure or damage;
- Beyond the limited warranty, the warranty period; Unauthorized alteration, tearing up the product bar code;
- Without authorization to change the settings file or inherent disassemble;
- Unexpected factors or human actions lead to product damage, such as improper input voltage, temperature, watermechanical damage, break, rust or oxidation product of serious, etc;
- Other non-product itself, design, technology, manufacturing, quality and other quality problems caused by the failure damage.

Customer Data

Name	
Address	
Model	
MAC No.	
Machine unit sales	
Sale of machine address	
Date of sale machine	
TEL	
Post Code	
Invoice No.	

Certificate Of Qualification

Quality Inspector _____

Production Date _____

Executive Standard YD/T 1965-2009



Copyright Information

Statement

**Shenzhen Four Seas Global Link Network
Technology CO.,Ltd.Company
all rights reserved.**

Without our official written permission, no unit or individual shall be copied, reproduced, transcribed or translated in part or whole book. In any form or by any means (electronic, mechanical, printing, recording or other possible means) or for the propagation of goods any commercial, profitable purposes.

COMFAST is the registered trademark of Shenzhen Four Seas Global Link Network Technology Co., Ltd. Company. All other trademarks or registered trademarks mentioned in this document, by respective owners.

Product specifications and information mentioned in this manual are for reference on subject to updates without notice. Unless there are other special agreements, this manual is used only as a user guide. All statements, information, etc. are not constitute any form of guarantee

Manufacturer: Shenzhen Four Seas Global Link Network
Technology Co., Ltd. Company
Address: Room 607-610, Block B Tao JINDI Electronic
Business Incubation Base, Tenglong Road, Longhua
District, Shenzhen, China
Hotline: +86 755 83790059
Website: en.comfast.com.cn

Warning:

This device complies with Part 15 of the FCC Rules. Operation is subject to the following two conditions: (1) this device may not cause harmful interference, and (2) this device must accept any interference received, including interference that may cause undesired operation.

changes or modifications not expressly approved by the party responsible for compliance could void the user's authority to operate the equipment.

NOTE: This equipment has been tested and found to comply with the limits for a Class B digital device, pursuant to Part 15 of the FCC Rules. These limits are designed to provide reasonable protection against harmful interference in a residential installation. This equipment generates, uses and can radiate radio frequency energy and, if not installed and used in accordance with the instructions, may cause harmful interference to radio communications. However, there is no guarantee that interference will not occur in a particular installation. If this equipment does cause harmful interference to radio or television reception, which can be determined by turning the equipment off and on, the user is encouraged to try to correct the interference by one or more of the following measures:

- Reorient or relocate the receiving antenna.
- Increase the separation between the equipment and receiver.
- Connect the equipment into an outlet on a circuit different from that to which the receiver is connected.
- Consult the dealer or an experienced radio/TV technician for help.

NOTE: This device and its antenna(s) must not be co-located or operation in conjunction with any other antenna or transmitter

RF Exposure Statement

To maintain compliance with FCC's RF Exposure guidelines, This equipment should be installed and operated with minimum distance of 20cm the radiator your body. This device and its antenna(s) must not be co-located or operation in conjunction with any other antenna or transmitter