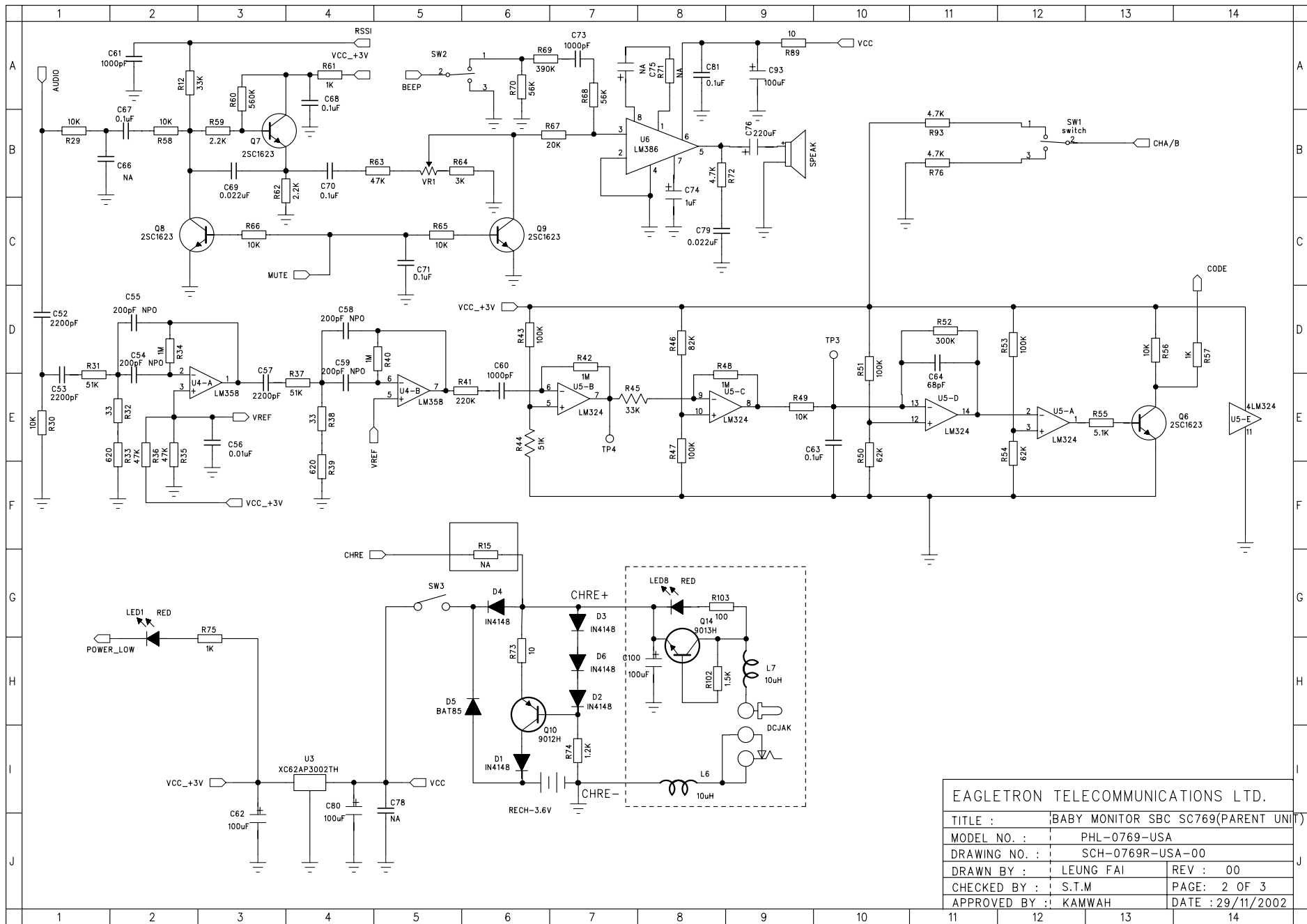
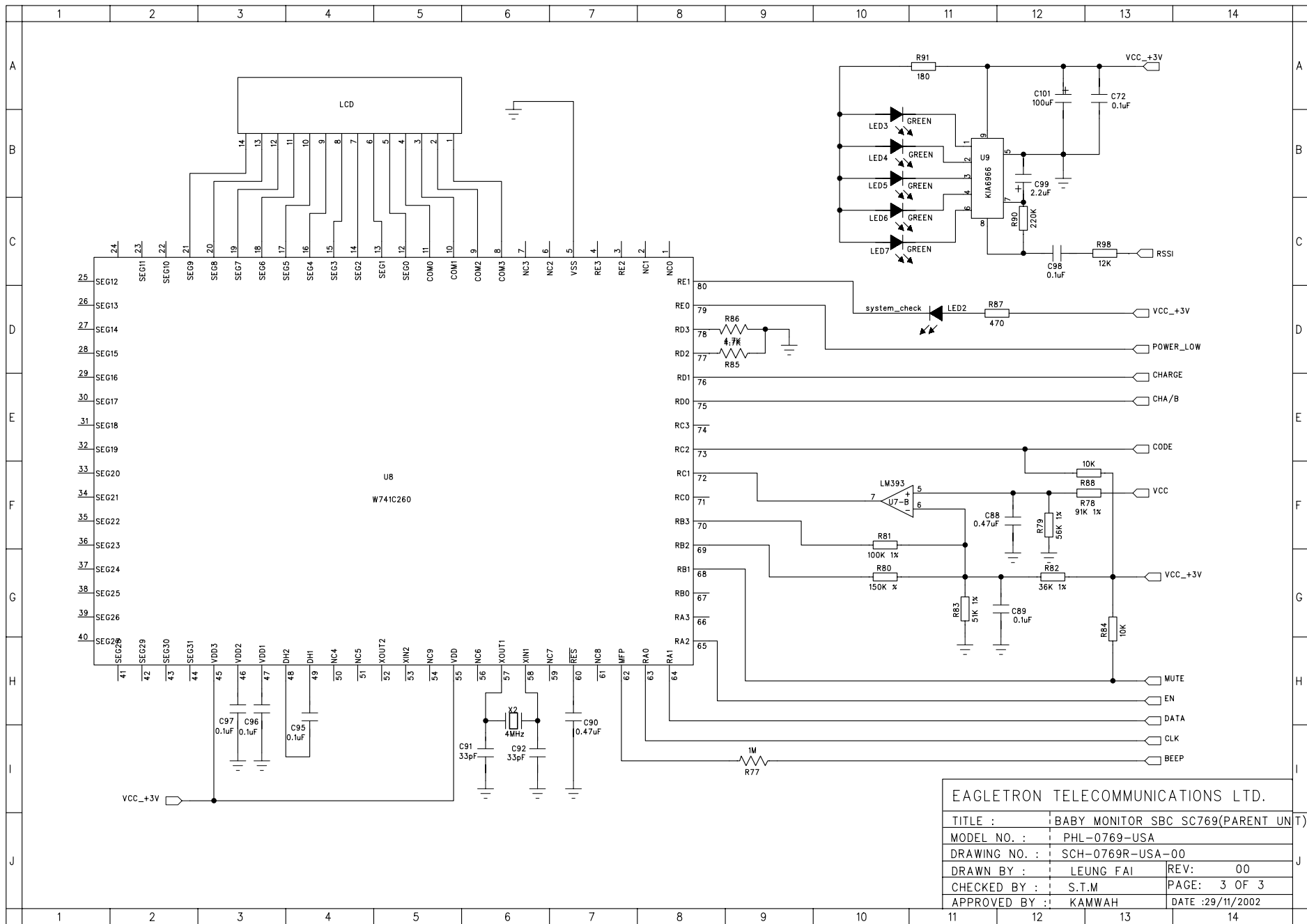


EAGLETRON TELECOMMUNICATIONS LTD.	
TITLE :	BABY MONITOR SBC SC769(PARENT UNIT)
MODEL NO. :	PHL-0769-USA
DRAWING NO. :	SCH-0769R-USA-00
DRAWN BY :	LEUNG HUI
CHECKED BY :	T.S.M
APPROVED BY :	KAMWAH
REV :	00
PAGE :	1 OF 3
DATE :	29/11/2002



EAGLETRON TELECOMMUNICATIONS LTD.	
TITLE :	BABY MONITOR SBC SC769(PARENT UNIT)
MODEL NO. :	PHL-0769-USA
DRAWING NO. :	SCH-0769R-USA-00
DRAWN BY :	LEUNG FAI
CHECKED BY :	S.T.M
APPROVED BY :	KAMWAH
REV :	00
PAGE :	2 OF 3
DATE :	29/11/2002



EAGLETRON TELECOMMUNICATIONS LTD.		
TITLE :	BABY MONITOR SBC SC769(PARENT UNIT)	
MODEL NO. :	PHL-0769-USA	
DRAWING NO. :	SCH-0769R-USA-00	
DRAWN BY :	LEUNG FAI	REV: 00
CHECKED BY :	S.T.M	PAGE: 3 OF 3
APPROVED BY :	KAMWAH	DATE :29/11/2002