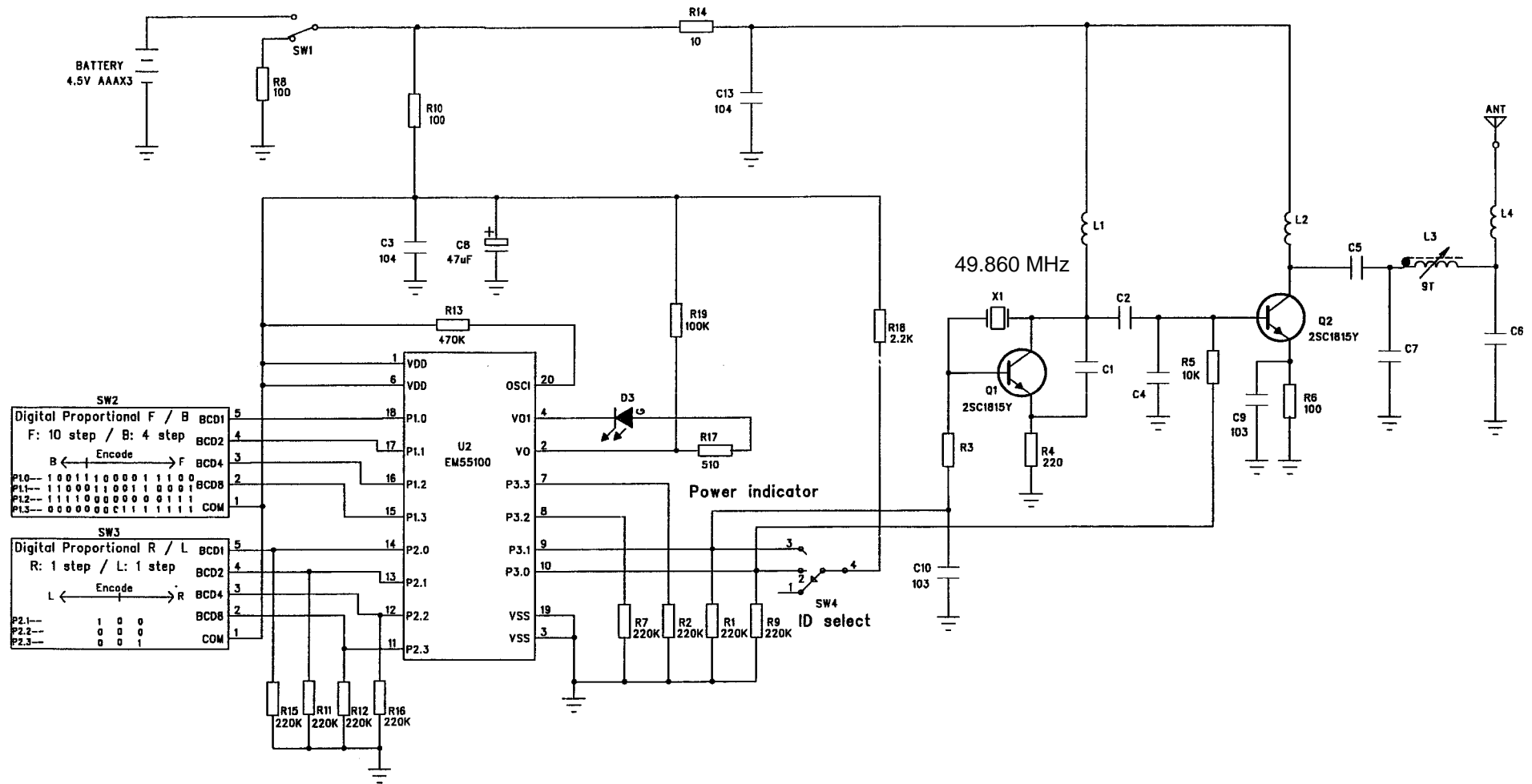


REV	DETAIL OF CHANGE	DATE	APPROVED BY
A			

X-motor TX-Mini shape.sch-1 - Fri Jan 30 17:12:30 2004



SW2

Digital Proportional F / B

F: 10 step / B: 4 step

B ← Encode → F

P1.0	1 0 0 1 1 1 0 0 0 0 1 1 1 0 0	BCD1
P1.1	1 1 0 0 0 1 1 0 0 1 1 0 0 0 1	BCD2
P1.2	1 1 1 1 0 0 0 0 0 0 0 0 1 1 1	BCD3
P1.3	0 0 0 0 0 0 0 0 1 1 1 1 1 1 1	BCD4
		COM

SW3

Digital Proportional R / L

R: 1 step / L: 1 step

L ← Encode → R

P2.1	1 0 0	BCD1
P2.2	0 0 0	BCD2
P2.3	0 0 1	BCD3
		COM

	C1	C2	C4	C5	C6	C7	L1, L2	L4	R3	X1
	27MHZ	47P	47P	33P	2.2uH	5.6uH	100K	27.145MHZ		
*	49MHZ	18P	18P	18P	1uH	2.2uH	220K	49.860MHZ		

 Silverlit Toys Manufacturing Ltd. 1701-03, World Trade Centre, 280 Gloucester Road, Causeway Bay, Hong Kong.		DWG. NAME	Schematic
		DWG. NO.	F83541-501
ITEM NO.	83541	ITEM NAME	X-Motors series - Mini size tx
- Tour Bus - Cargo & Oil Truck - Truck		DRAWN/DATE	GJG/DEC.18.03
		CHK/DATE	
SIZE	A4	PAGE	1 OF 1
APP/DATE			