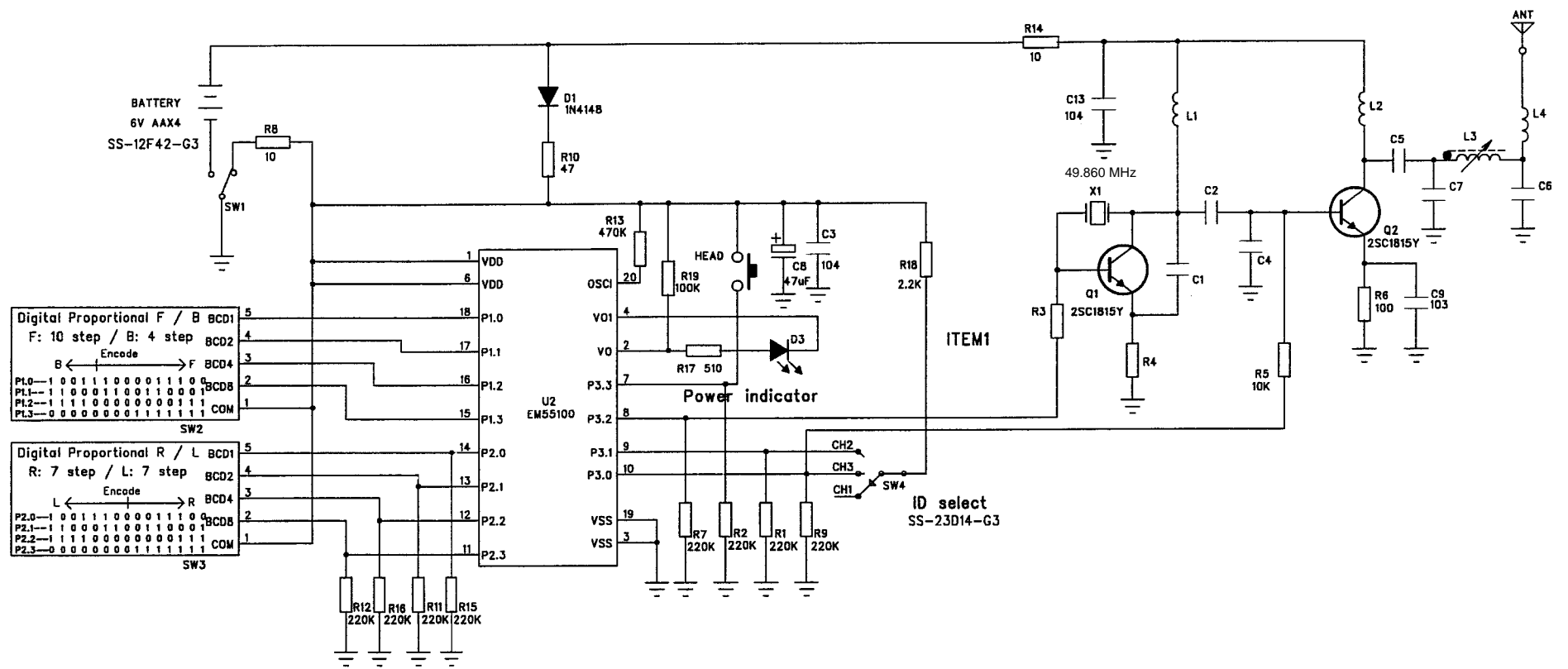


REV	DETAIL OF CHANGE	DATE	APPR BY
E-B			

Digit Pro-SeriesTX.sch-1 - Thu Jan 29 19:16:28 2004



	C1	C2,C4,C5	C6	C7	R3	R4	L1	L2	L3	L4	X1	
	27M	47p	47p	20p	82p	220K	220	2.2uH	2.2uH	9T	4.7uH	27.145MHZ
*	49M	18p	18p	20p	82p	330K	220	1uH	1uH	9T	0	49.860MHZ

 Silverlit Toys Manufactory Ltd. 1701-03, World Trade Centre, 280 Gloucester Road, Causeway Bay, Hong Kong.		DWG. NAME	SCHMATIC CIRCUIT
		DWG. NO.	F82931-502
ITEM NAME		Digit-Pro Series (TX)	
- R/C Subaru Impreza - R/C Toyota MR-S - R/C Turbo Glider		DRAWN/DATE	XiongZL/DEC-4-03
		CHK/DATE	
SIZE	PAGE	1 OF 1	APP/DATE