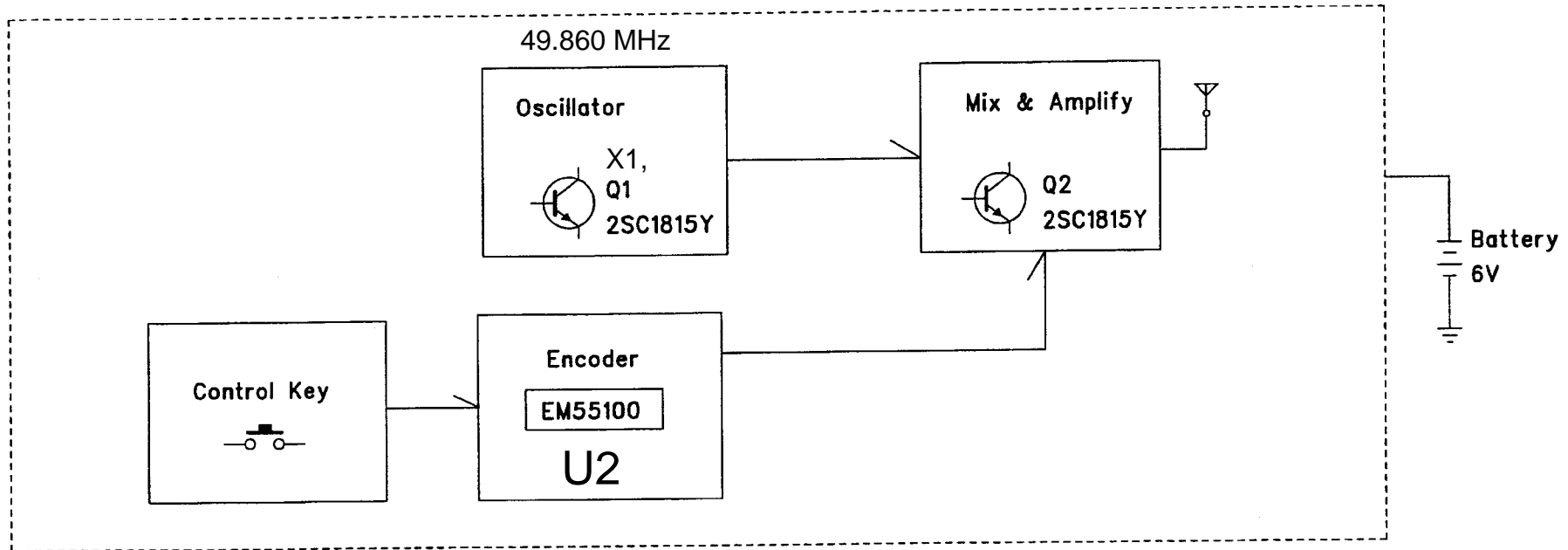


REV	DETAIL OF CHANGE	DATE	APPROVED BY
A			

Project Name: Digit-Pro Series
Date: Dec.20-03
Version: 1
Transmit frequency: 49.860MHZ



Technical description :

- Encoded signal will be generated by U1 while control key pressed, and it will be mixed & amplified with carrier frequency by Q2,
- Modulating signal will be transmitted through antenna network.

 Silverlit Toys Manufactory Ltd. 28th Floor, 38 Russell Street, Causeway Bay, Hong Kong		DWG. NAME	Block Diagram
		DWG. NO.	
ITEM NAME		Digit-Pro Series (49M-tx)	
- R/C Subaru Impreza - R/C Toyota MR-S - R/C Turbo Glider		DRAWN/DATE	
		CHK/DATE	
SCALE	PAGE	1 OF 1	APP/DATE