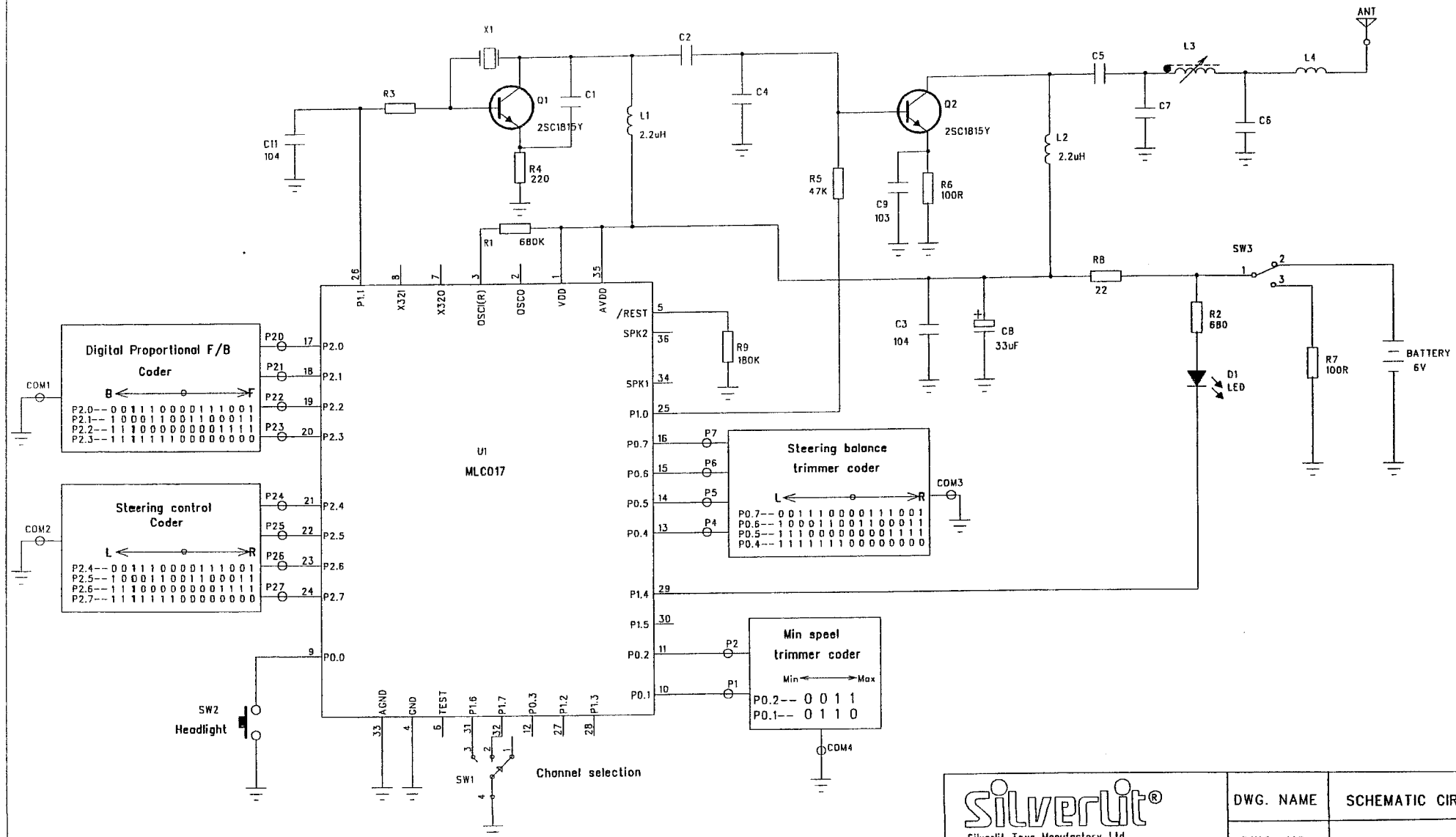


REV	DETAIL OF CHANGE	DATE	APPROVED BY
E-B			

7CC



	L1	L2	L3	X1	C1,C2,C4,C5	C6	C7	R3	L4
27MHZ	2.2uH	1.5uH	9T	27.145MHZ	47P	30P	30P	150K	5.6uH
40MHZ	1.5uH	1uH	9T	40.680MHZ	18P	100P	15P	220K	1.5uH
49MHZ	1uH	1uH	9T	49.860MHZ	18P	47P	10P	220K	1uH

 Silverlit Toys Manufacturing Ltd. 1701-03, World Trade Centre, 280 Gloucester Road, Causeway Bay, Hong Kong.		DWG. NAME	SCHEMATIC CIRCUIT
		DWG. NO.	
ITEM NO.	80045	ITEM NAME	XT X-Trek (DF-T2)
		DRAWN/DATE	TJH/Nov.06-03
		CHK/DATE	
SIZE		PAGE	1 OF 1
		APP/DATE	