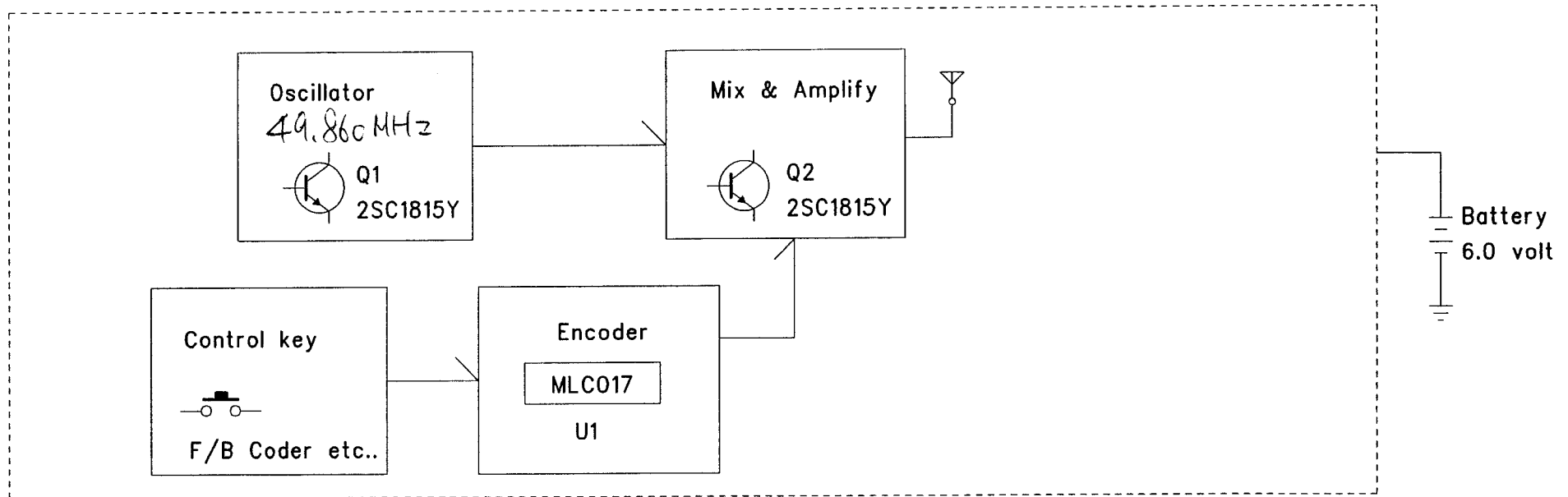



Project no: 80045
 Project Name: XT X-Trek (DF-T2)
 Date: OCT.24-03
 Version: 1
 Transmit frequency: 49.860MHZ

REV	DETAIL OF CHANGE	DATE	APPROVED BY
A			



Technical description :

- Encoding signal will be generated by U1 when some control key pressed, and it will be mixed & amplified with carrier frequency by Q2,
- Modulating signal will be transmitted through antenna network.

 1701-03, World Trade Centre, 280 Gloucester Road, Causeway Bay, Hong Kong.		DWG. NAME	Block diagram
		DWG. NO.	
ITEM NO.	80045	ITEM NAME	XT X-Trek (DF-T2)
		DRAWN/DATE	CWF/OCT.24-2003
		CHK/DATE	
SCALE		PAGE	1 OF 1
		APP/DATE	