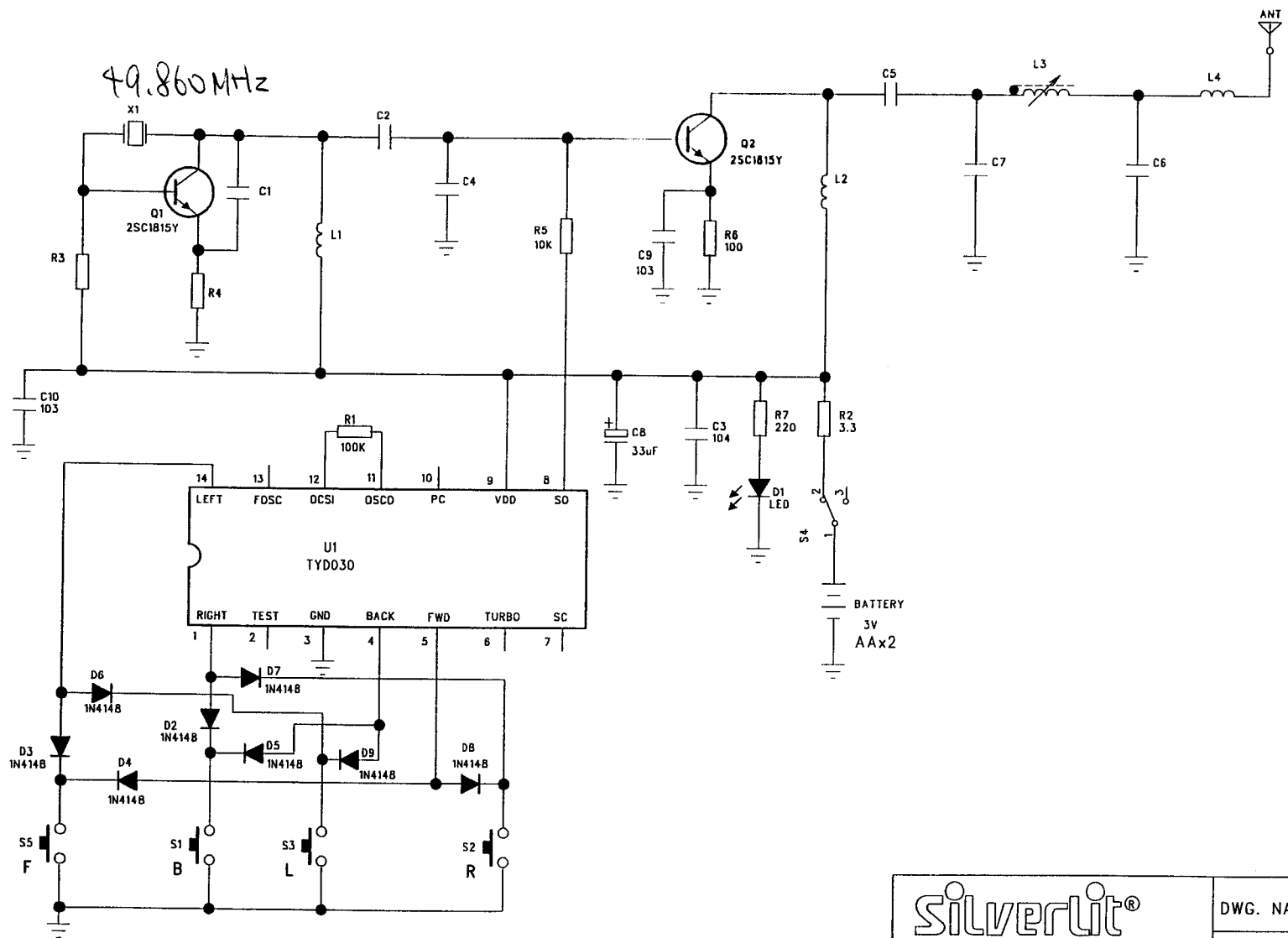


REV	DETAIL OF CHANGE	DATE	APPROVED BY
A			

JD82291-TX-A.sch-1 - Thu Apr 17 11:55:04 2003



	C1.C2.C4.C5	C6	C7	L1	L2	L3	X1	R3	R4	L4
27.145MHz	47P	18P	68P	1.5uH	1.5uH	15T	27.145MHz	100K	100	5.6uH
40.680MHz	18P	10P	68P	1uH	1uH	9T	40.680MHz	330K	330	1.5uH
49.860MHz	18P	10P	47P	1uH	1uH	9T	49.860MHz	330K	330	1.5uH

 Silverlit Toys Manufacturing Ltd. 1701-D3, World Trade Centre, 280 Gloucester Road, Causeway Bay, Hong Kong.		DWG. NAME	SCHEMATIC CIRCUIT
		DWG. NO.	Nil
ITEM NO.	82291	ITEM NAME	X - Wave series
		DRAWN/DATE	XZL/APR-02-2003
		CHK/DATE	APR-02-2003
SIZE		PAGE	1 OF 1
		APP/DATE	APR-02-2003