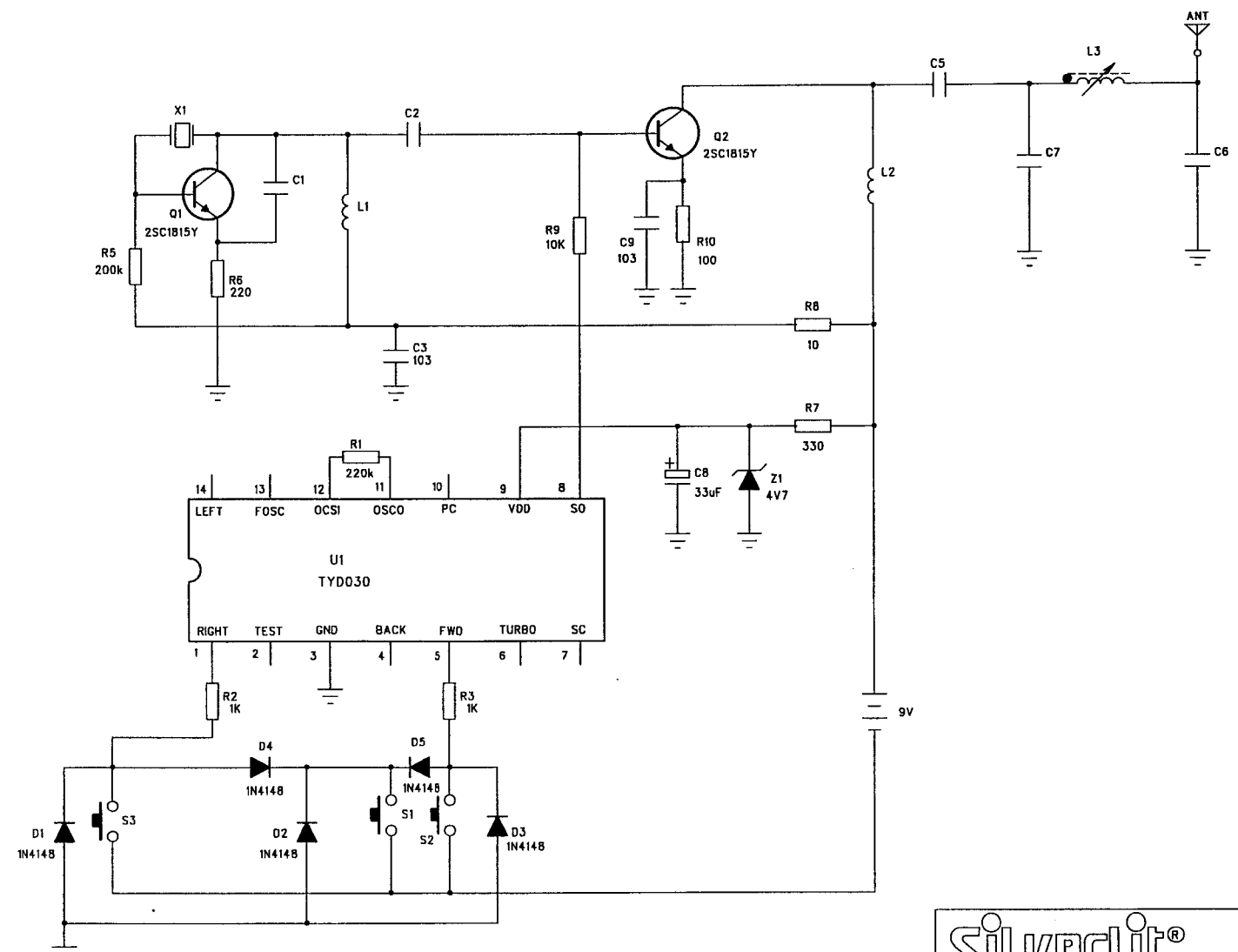


REV	DETAIL OF CHANGE	DATE	APPROVED BY
C			



	C1.C2.C4.C5	C6	C7	L1	L2	L3	X1
27.145MHz	47P	10P	68P	2.2uH	2.2uH	21T	27.145MHz
40.680MHz	18P	10P	68P	2.2uH	1uH	9T	40.680MHz
49.860MHz	18P	5P	47P	1uH	1uH	9T	49.860MHz

 Silverlit Toys Manufacturing Ltd. 26th Floor, 38 Russell Street, Causeway Bay, Hong Kong		DWG. NAME	SCHEMATIC CIRCUIT		
		DWG. NO.	F81691-502		
ITEM NO.	81691	ITEM NAME	R/C I-Bug (TX)		
		DRAWN/DATE	chxy/Nov-11-2002		
		CHK/DATE			
SIZE		PAGE	1 OF 1		APP/DATE