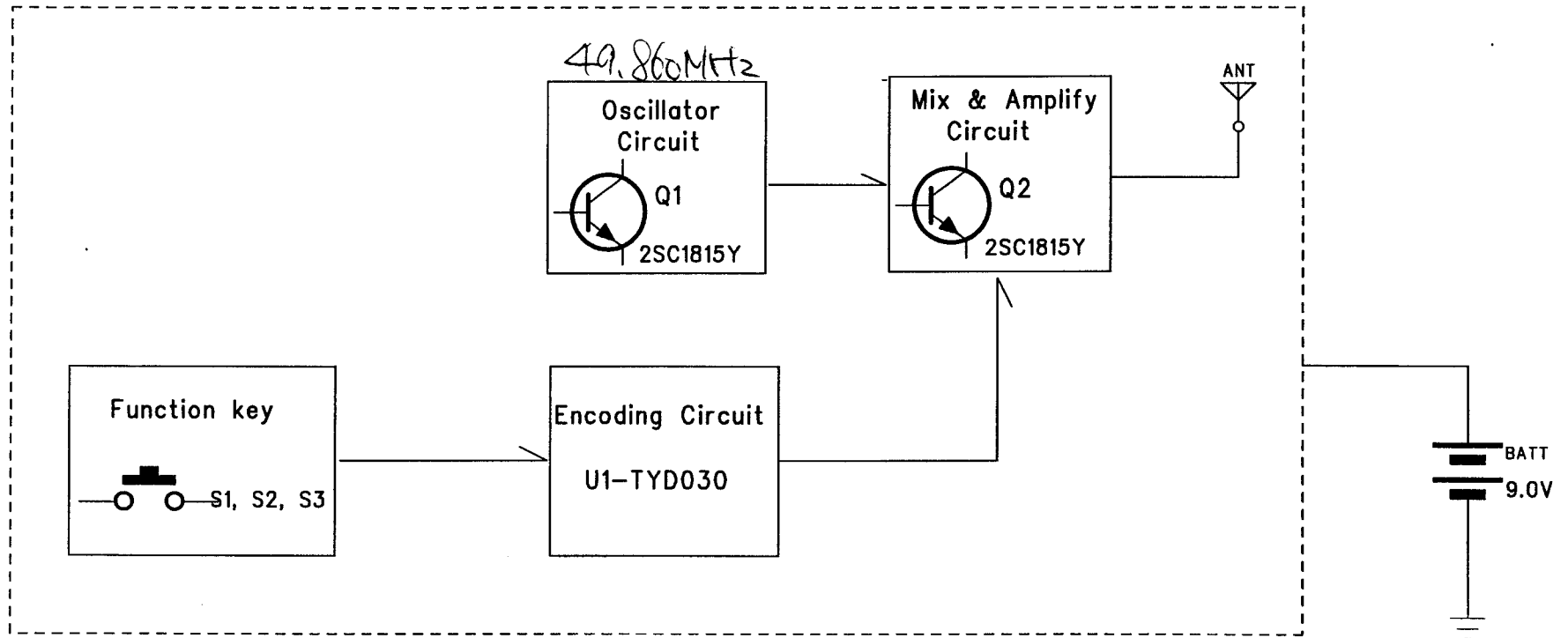


Project No: 81691  
 Project Name: R/C I-Bug  
 Transmitted frequency : 49.860 MHz  
 Version : A  
 Date : Jan.16.03

REV	DETAIL CHANGE	DATE	APPROVED BY
A			



**REMARK :**

1. Encoding signal will be generated by U1 when press a function key and it will be mixed & amplified with carrier frequency by Q2 .
2. Modulating signal will be transmitted through ANT Network .

Silverlit® Silverlit Toys Manufactory Ltd. 28th Floor, 38 Russell Street, Causeway Bay, Hong Kong				DWG. NAME	Block Diagram
				DWG. NO.	
ITEM NO.	81691	ITEM NAME	R/C I-Bug (TX)		
				DRAWN/DATE	CHXY/ Jan .16. 03
				CHK/DATE	
SCALE	A4	PAGE	OF	APP/DATE	