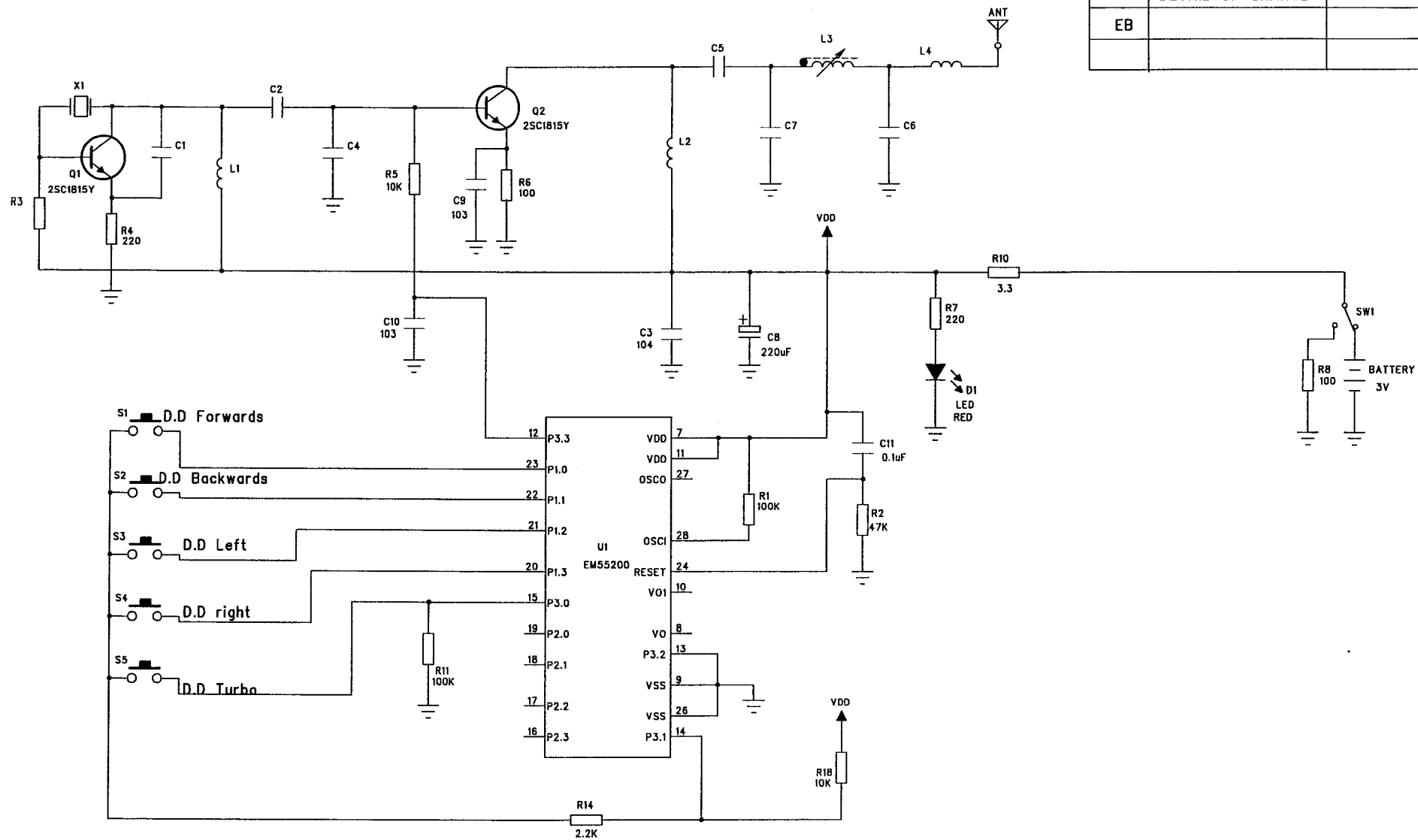


REV	DETAIL OF CHANGE	DATE	APPROVED BY
EB			



D82271-TX-B.sch-1 - Sat Feb 22 11:07:05 2003

	C1.C2.C4.C5	C6	C7	L1	L2	L3	X1	R3	L4
27.145MHz	47P	10P	68P	2.2uH	2.2uH	15T	27.145MHz	100K	5.6uH
40.680MHz	18P	10P	68P	2.2uH	1uH	9T	40.680MHz	200K	0uH
49.860MHz	18P	5P	47P	1uH	1uH	9T	49.860MHz	200K	0uH

 <small>1701-03, World Trade Centre, 280 Gloucester Road, Causeway Bay, Hong Kong</small>		DWG. NAME	SCHEMATIC CIRCUIT
		DWG. NO.	F82271-501
ITEM NO.	82271	ITEM NAME	Dome Pack X-Trek (TX)
		DRAWN/DATE	CFW/feb-17-2003
		CHK/DATE	
SIZE		PAGE	1 OF 1
		APP/DATE	