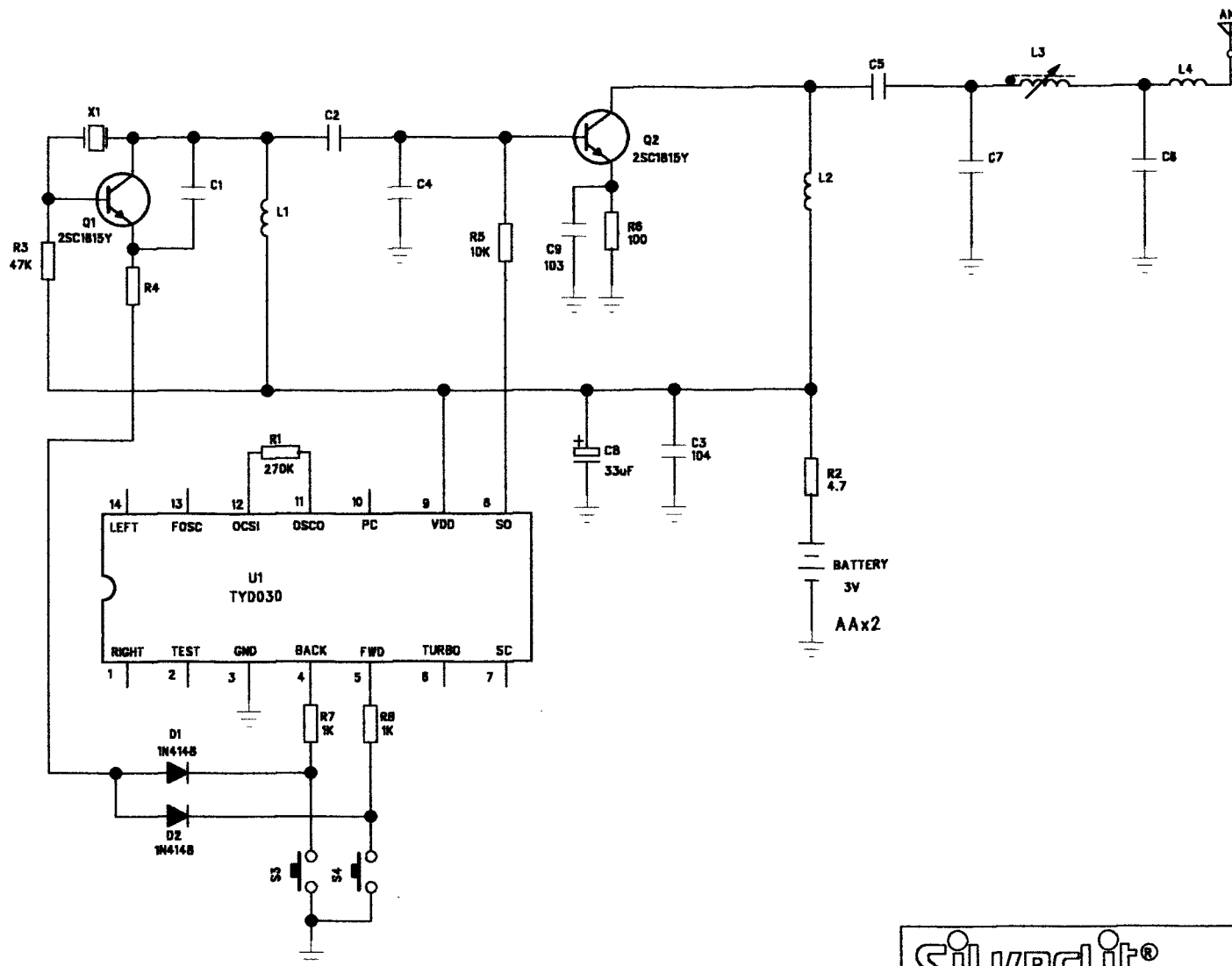


REV	DETAIL OF CHANGE	DATE	APPROVED BY
A			



	C1.C2.C4.C5	C6	C7	L1	L2	L3	L4	X1	R4
27.145MHz	47P	18P	68P	2.2uH	2.2uH	18T	5.6uH	27.145MHz	220
40.680MHz	18P	10P	68P	2.2uH	1uH	10T	3.3uH	40.680MHz	330
49.860MHz	18P	5P	47P	1uH	1uH	10T	3.3uH	49.860MHz	330

 Silverlit Toys Manufacturing Ltd. 28th Floor, 38 Russell Street, Causeway Bay, Hong Kong		DWG. NAME	SCHEMATIC CIRCUIT
		DWG. NO.	FB2171-502
ITEM NO.	82171	ITEM NAME	Hovercraft (TX)
		DRAWN/DATE	XYJ/DEC11, 2002
		CHK/DATE	<i>[Signature]</i>
SIZE		PAGE	1 OF 1
		APP/DATE	