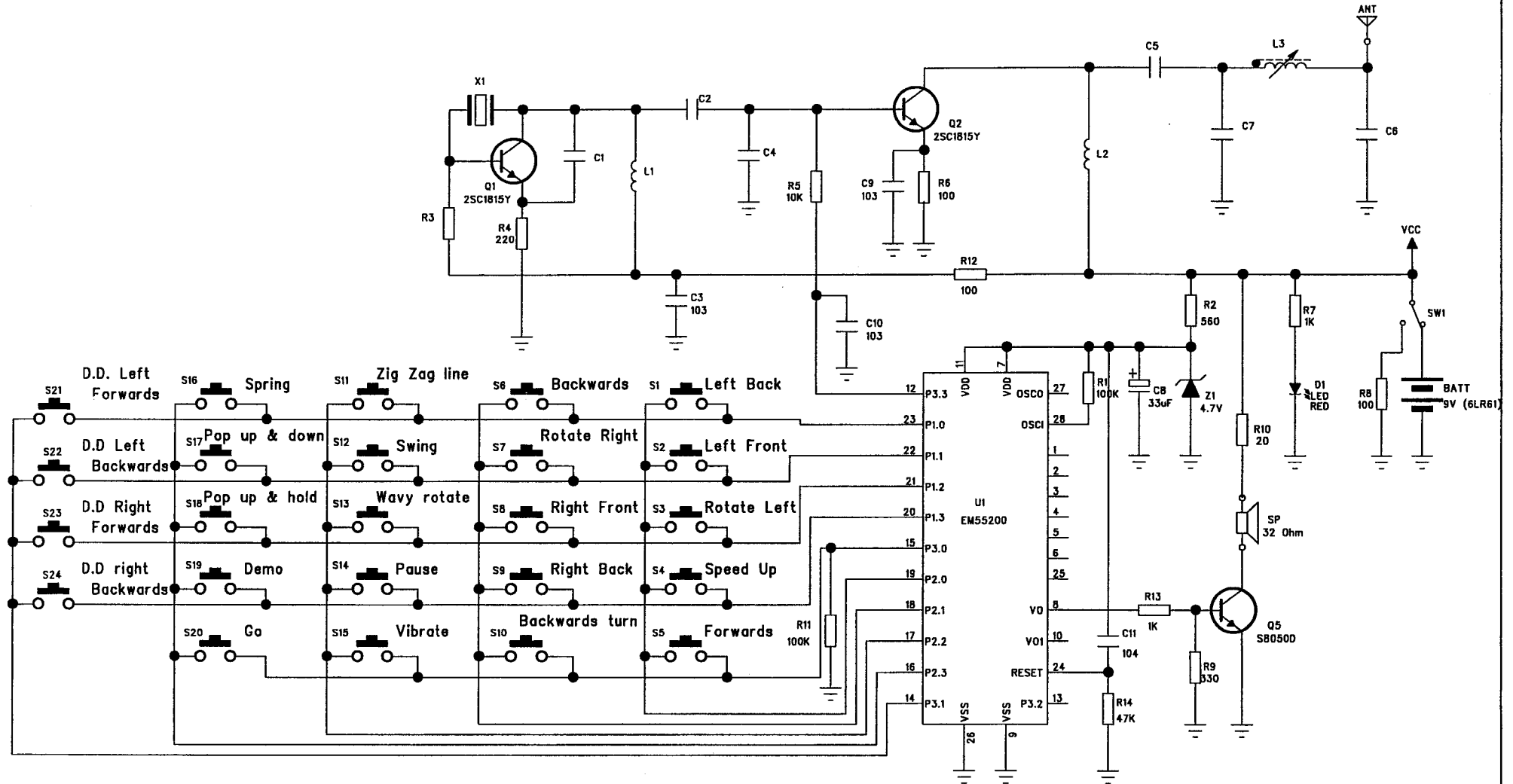


REV	DETAIL OF CHANGE	DATE	APPROVED BY
A			



	C1.C2.C4.C5	C6	C7	L1	L2	L3	X1	R3
27.145MHz	47P	10P	68P	2.2uH	2.2uH	21T	27.145MHz	330K
40.680MHz	18P	10P	68P	2.2uH	1uH	9T	40.680MHz	680K
* 49.860MHz	18P	10P	47P	1uH	1uH	9T	49.860MHz	680K

 Silverlit Toys Manufacturing Ltd. 28th Floor, 38 Russell Street, Causeway Bay, Hong Kong		DWG. NAME	SCHEMATIC CIRCUIT	
		DWG. NO.	F82121-502	
ITEM NO.	82121	ITEM NAME	Platinum-Z(TX)	
		DRAWN/DATE	CWF/NOV.30-2002	
		CHK/DATE		
SIZE		PAGE	1 OF 1	APP/DATE