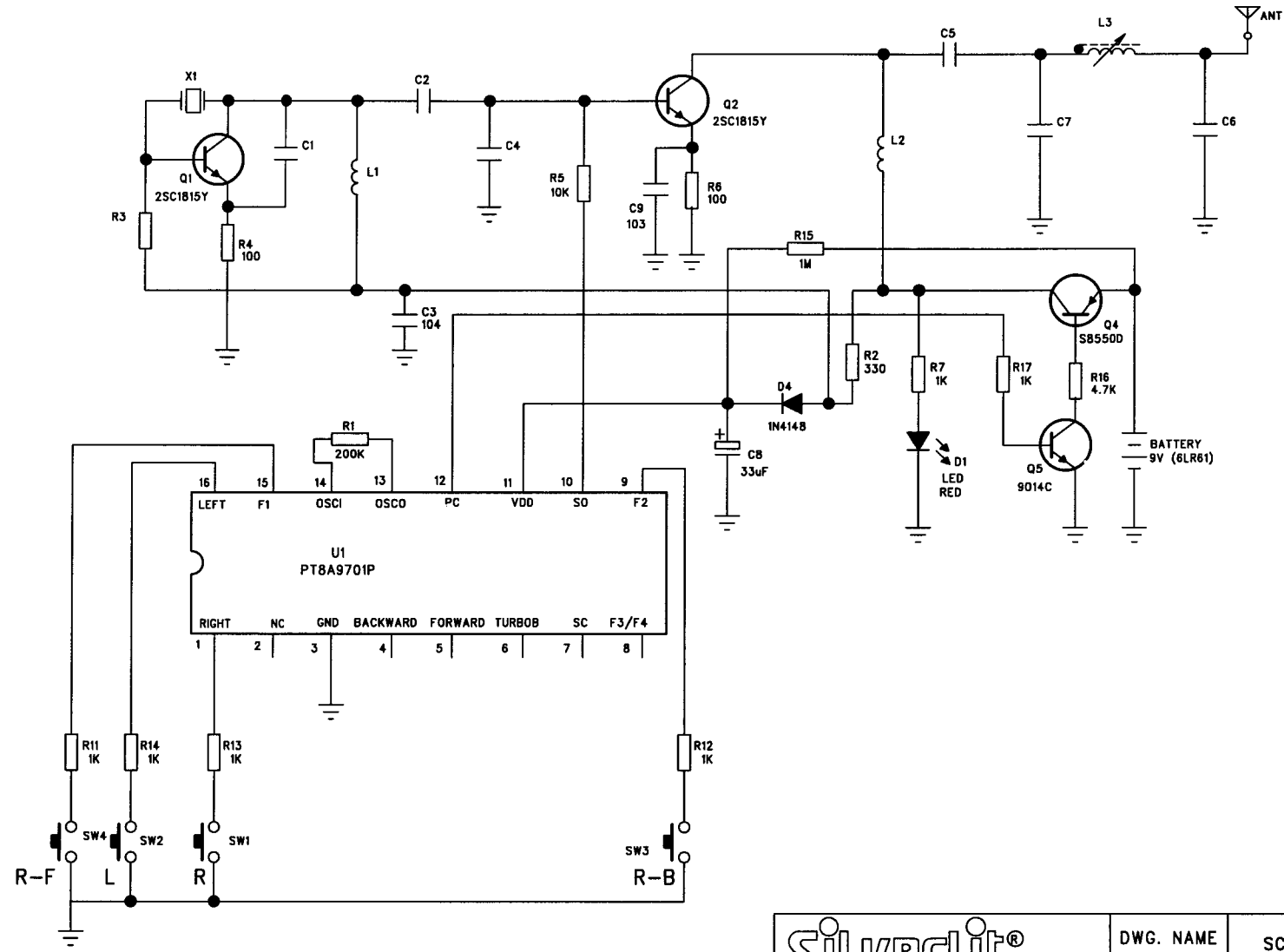


REV	DETAIL OF CHANGE	DATE	APPROVED BY
A			



	C1.C2.C4.C5	C6	C7	L1	L2	L3	X1	R3
27.145MHz	47P	5P	68P	2.2uH	2.2uH	21T	27.145MHz	330K
40.680MHz	18P	10P	68P	2.2uH	1uH	9T	40.680MHz	680K
49.860MHz	18P	10P	47P	1uH	1uH	9T	49.860MHz	680K

 Silverlit Toys Manufactory Ltd. 28th Floor, 38 Russell Street, Causeway Bay, Hong Kong		DWG. NAME	SCHEMATIC CIRCUIT
		DWG. NO.	F82101-502
ITEM NO.	82101	ITEM NAME	R/C Amphibious vehicle (TX)
		DRAWN/DATE	CWF/DEC.02-2002
		CHK/DATE	
SIZE		PAGE	1 OF 1
		APP/DATE	