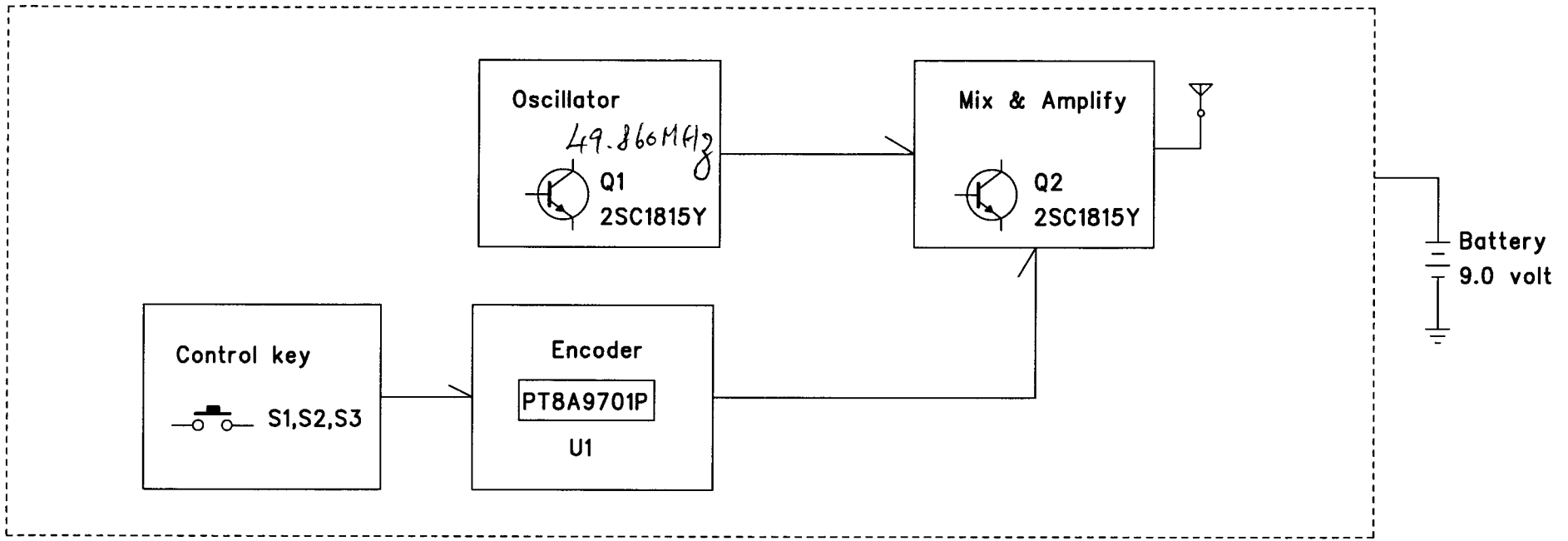


REV	DETAIL OF CHANGE	DATE	APPROVED BY
A			

Project no: 82101  
 Project Name: R/C Amphibous vehicle (TX)  
 Date: DEC.02-02  
 Version: 1  
 Transmit frequency: 49.860MHZ



**Technical description :**

- Encoding signal will be generated by U1 when control key pressed, and it will be mixed & amplified with carrier frequency by Q2,
- Modulating signal will be transmitted through antenna network.

 Silverlit Toys Manufacturing Ltd. 28th Floor, 38 Russell Street, Causeway Bay, Hong Kong		DWG. NAME	Block diagram
		DWG. NO.	
ITEM NO.	82101	ITEM NAME	R/C Amphibous vehicle (TX)
		DRAWN/DATE	
		CHK/DATE	
SCALE		PAGE	1 OF 1
		APP/DATE	