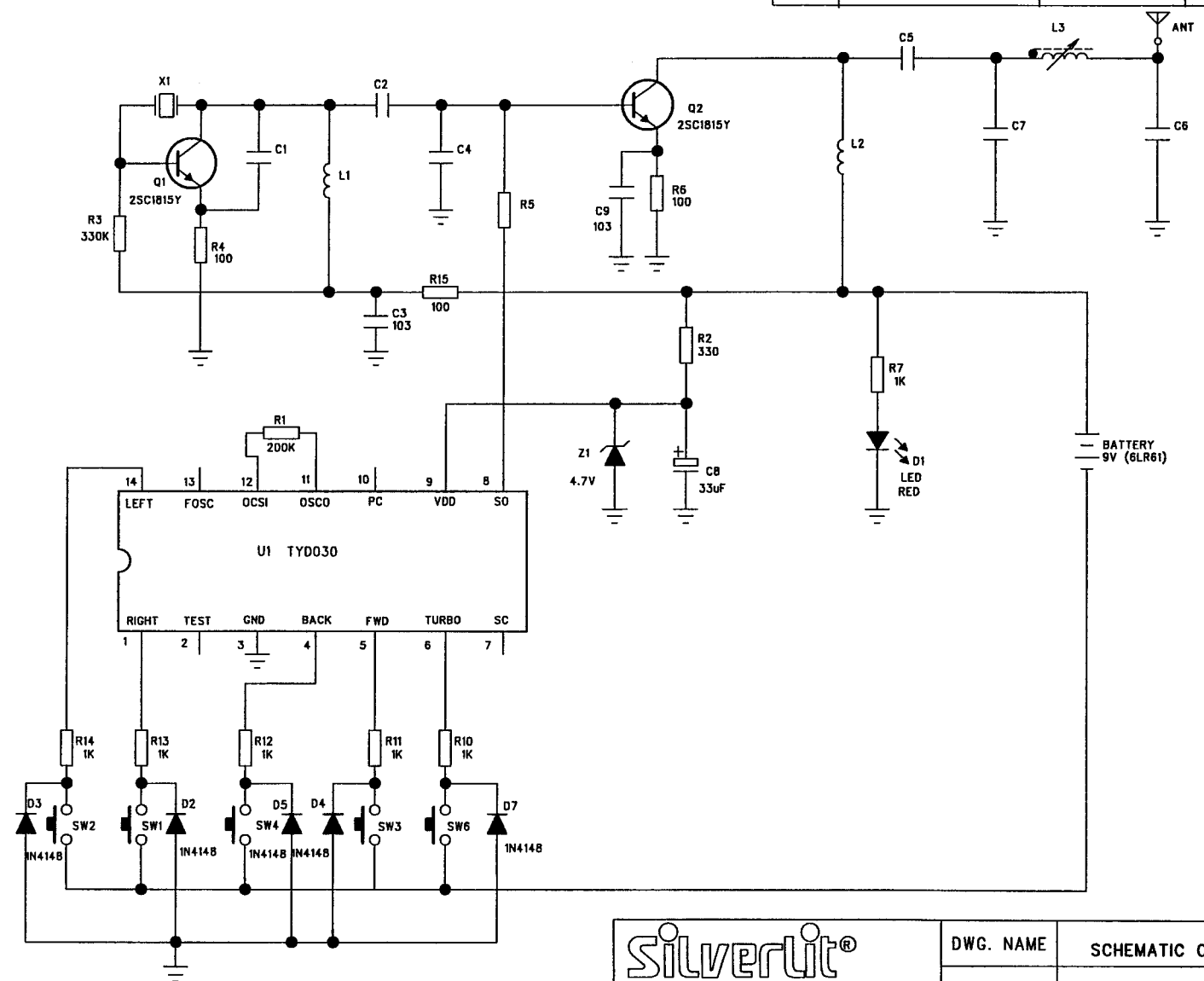


REV	DETAIL OF CHANGE	DATE	APPROVED BY
A			



	C1.C2.C4.C5	C6	C7	L1	L2	L3	X1	R5
27.145MHz	47P	10P	68P	2.2uH	2.2uH	21T	27.145MHz	10K
40.680MHz	18P	10P	68P	2.2uH	1uH	9T	40.680MHz	6.8K
49.860MHz	18P	10P	47P	1uH	1uH	9T	49.860MHz	10K

 Silverlit Toys Manufacturing Ltd. 28th Floor, 38 Russell Street, Causeway Bay, Hong Kong		DWG. NAME	SCHEMATIC CIRCUIT
		DWG. NO.	F82111-502
ITEM NO.	82111	ITEM NAME	R/C Radical Racer (TX)
		DRAWN/DATE	CWF/OCT.30-2002
		CHK/DATE	
SIZE		PAGE	1 OF 1
		APP/DATE	