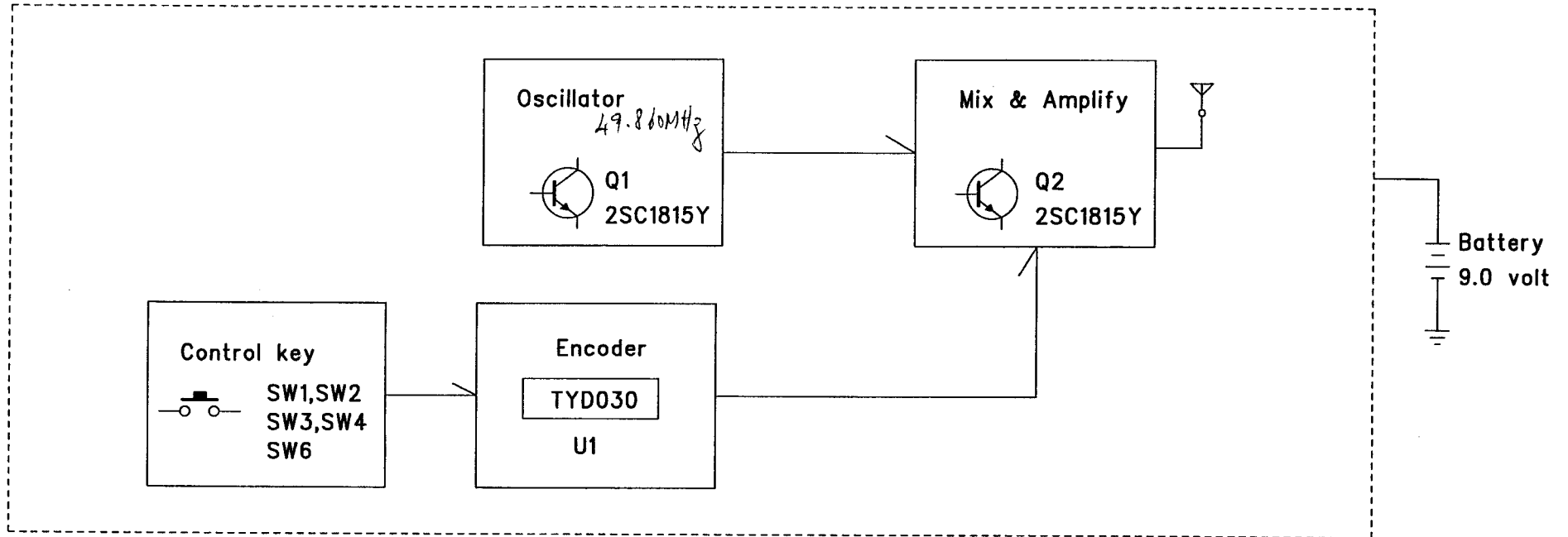


REV	DETAIL OF CHANGE	DATE	APPROVED BY
A			

Project no: 82111  
 Project Name: R/C Radical Racer  
 Date: DEC.02-02  
 Version: 1  
 Transmit frequency: 49.860MHZ



Technical description :

- Encoding signal will be generated by U1 when control key pressed, and it will be mixed & amplified with carrier frequency by Q2,
- Modulating signal will be transmitted through antenna network.

 Silverlit Toys Manufactory Ltd. 26th Floor, 38 Russell Street, Causeway Bay, Hong Kong		DWG. NAME	Block diagram
		DWG. NO.	
ITEM NO.	82111	ITEM NAME	R/C Radical Racer (TX)
		DRAWN/DATE	
		CHK/DATE	
SCALE		PAGE	1 OF 1
		APP/DATE	