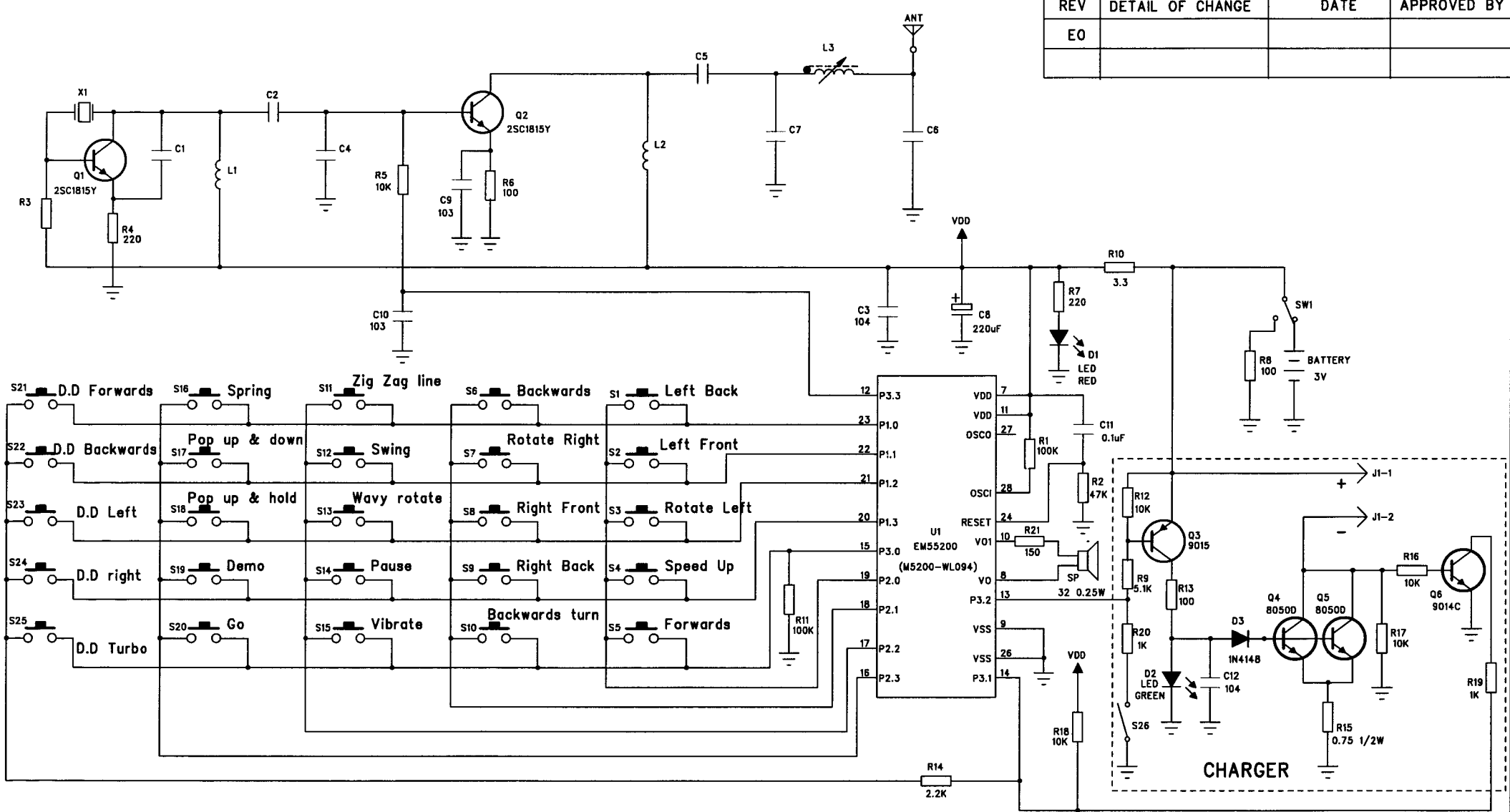


REV	DETAIL OF CHANGE	DATE	APPROVED BY
E0			



	C1.C2.C4.C5	C6	C7	L1	L2	L3	X1	R3
	27.145MHz	47P	10P	68P	2.2uH	2.2uH	15T	200K
	40.680MHz	18P	10P	68P	2.2uH	1uH	9T	40.680MHz
	49.860MHz	18P	5P	47P	1uH	1uH	9T	49.860MHz

Silverlit Toys Manufacturing Ltd.  
28th Floor, 38 Russell Street, Causeway Bay, Hong Kong

DWG. NAME	SCHMATIC CIRCUIT
DWG. NO.	F82191-502

ITEM NO.	82191	ITEM NAME	Miniature R/C TurboZ (TX)
		DRAWN/DATE	CWF/DEC.30-2002
		CHK/DATE	<i>Joe 1/4</i>
SIZE		PAGE	1 OF 1
		APP/DATE	