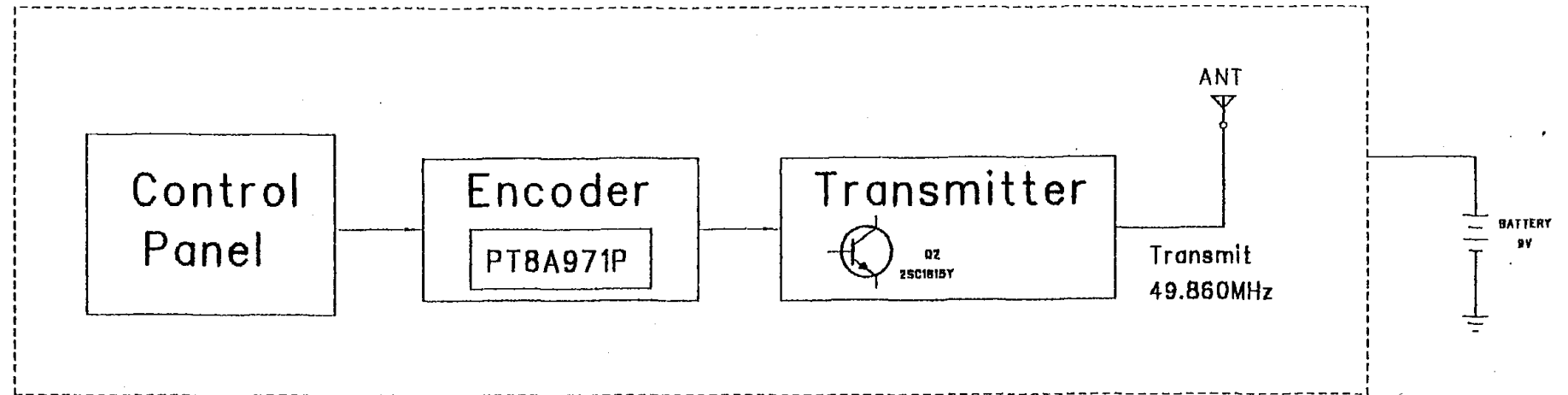


REV	DETAIL OF CHANGE	DATE	APPROVED BY
A			



Transmitter Block diagram

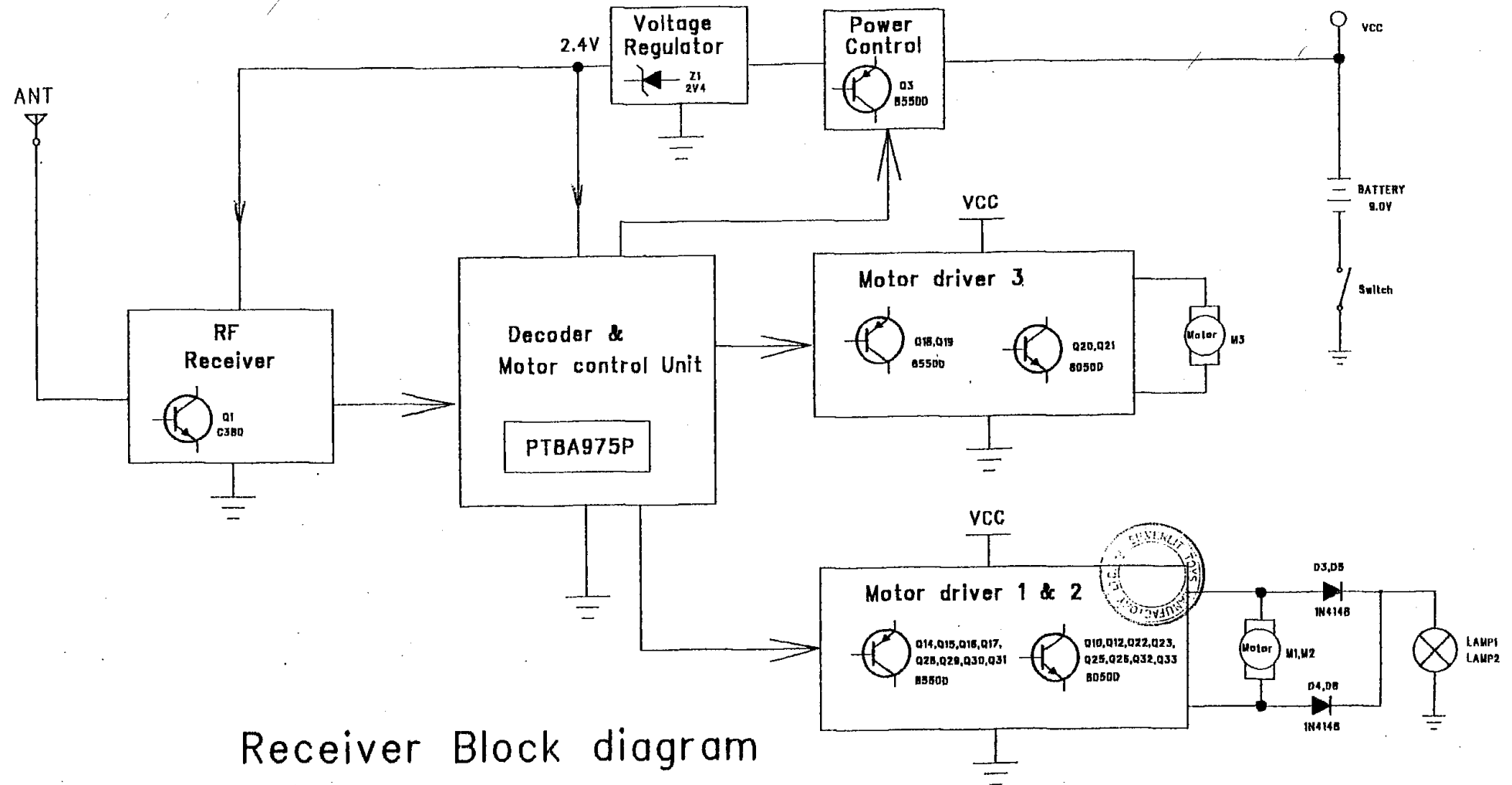
Technical description	<p>encoding signal will be generated by IC-PT8A971P when pressing a function key and move the joystyck, it will be mixed with carry frequency and amplified by Q2 Modulating signal will be transmitted through antenna network</p>
-----------------------	---



 Silverlit Toys Manufactory Ltd. 26th Floor, 38 Kwai Street, Causeway Bay, Hong Kong		DWG. NAME	BLOCK DIAGRAM
		DWG. NO.	
ITEM NO.	82091	ITEM NAME	Arm Vehicle
Transmit frequency :		DRAWN/DATE	Sam/Dec-25-2001
49.860MHz		CHK/DATE	
SCALE		PAGE	1 OF 1
		APP/DATE	

2091T49.Sch-1 - Sun Dec 30 09:02:30 2001

REV	DETAIL OF CHANGE	DATE	APPROVED BY
A			



Receiver Block diagram

Technical description	Modulating signal will be picked up by RF receiver and decoded by PT8A975P. IC has the function of driving motor, M1 Control Right wheel provide forward and backward M2 Control Left wheel provide forward and backward M3 Control the arm forward and backward
-----------------------	--

 Silverlit Toys Manufacturing Ltd. 28th Floor, 38 Russell Street, Causeway Bay, Hong Kong		DWG. NAME	BLOCK DIAGRAM
		DWG. NO.	
ITEM NO.	82091	ITEM NAME	Arm Vehicle
Receive frequency :		49.860MHz	DRAWN/DATE Sam/Dec-25-2003 CHK/DATE APP/DATE
SCALE		PAGE	1 OF 1